

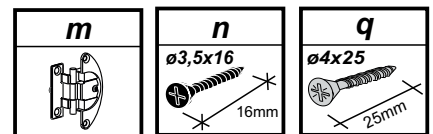
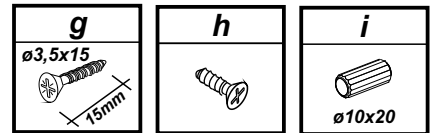
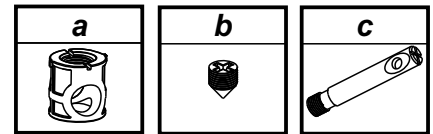
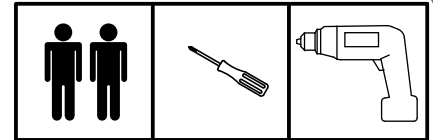
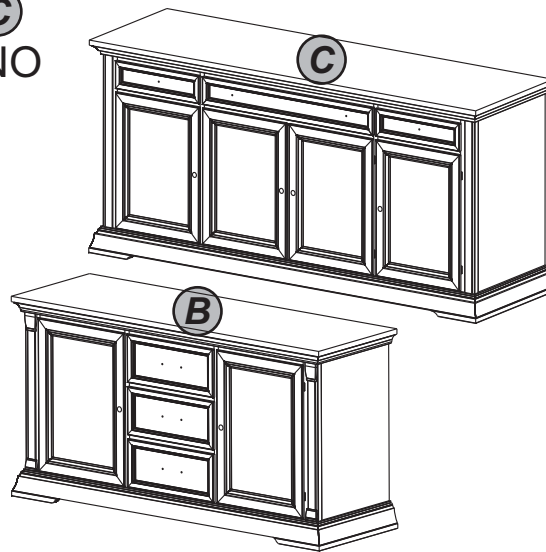
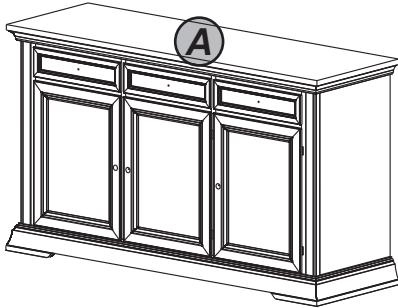
TREVISO-DAY

3 DOOR BUFFET **(A)**

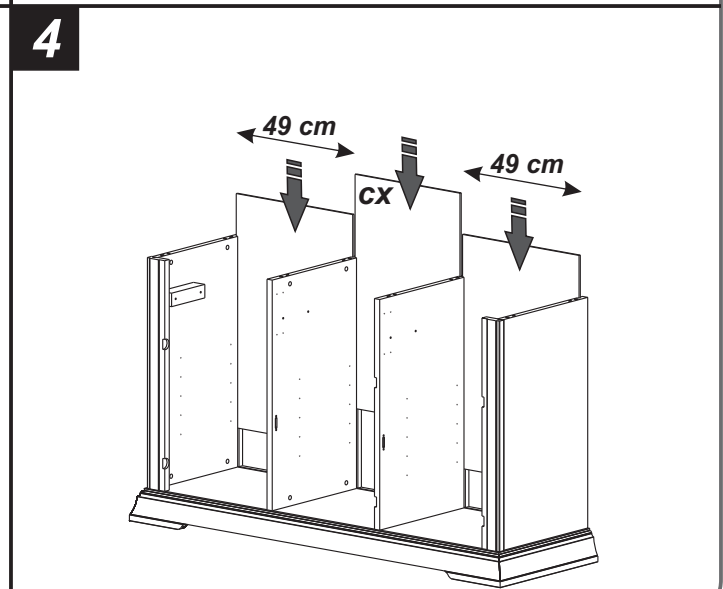
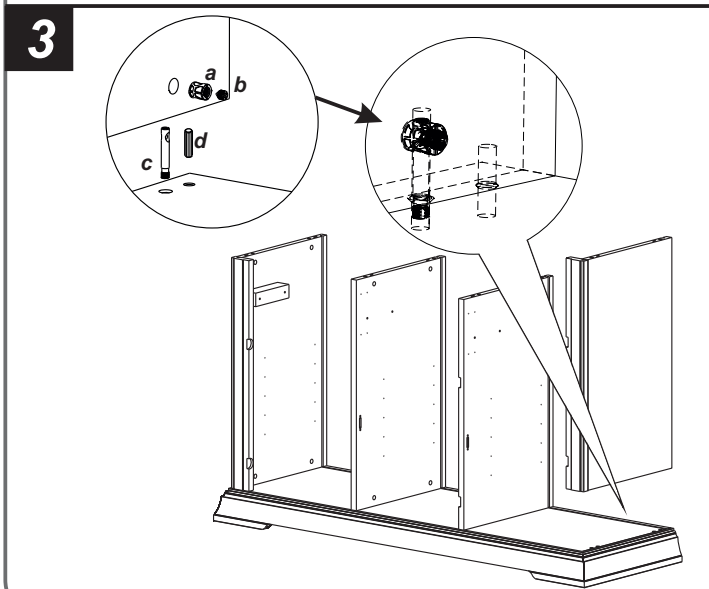
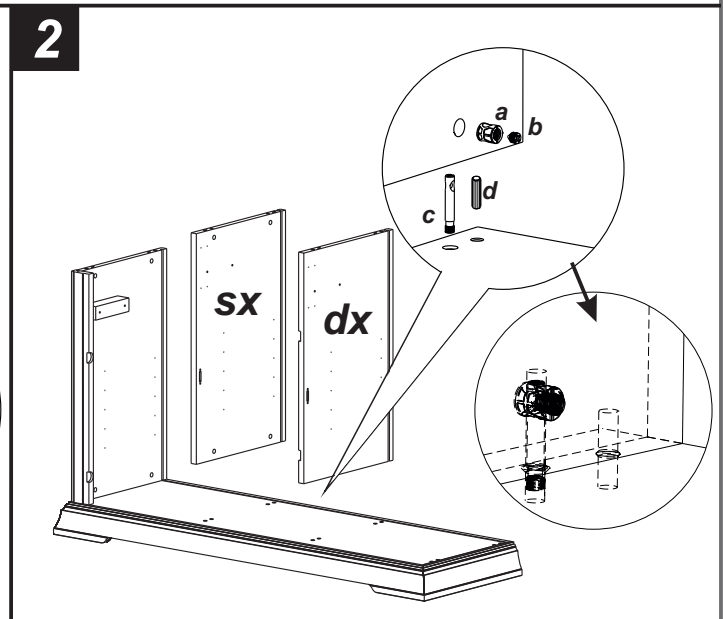
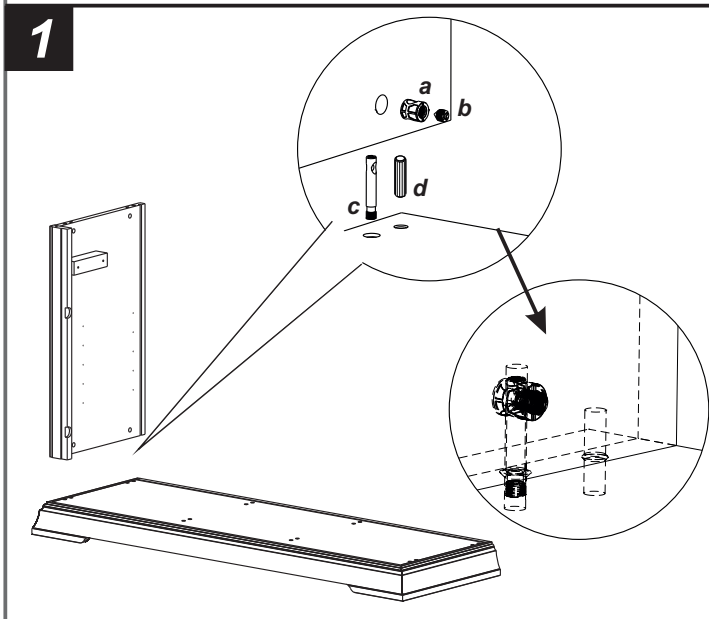
3 DOOR BUFFET WITH DRAWERS **(B)**

4 DOOR BUFFET **(C)**

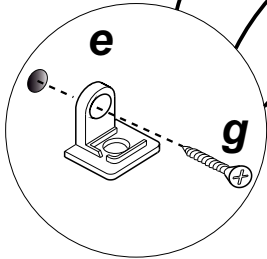
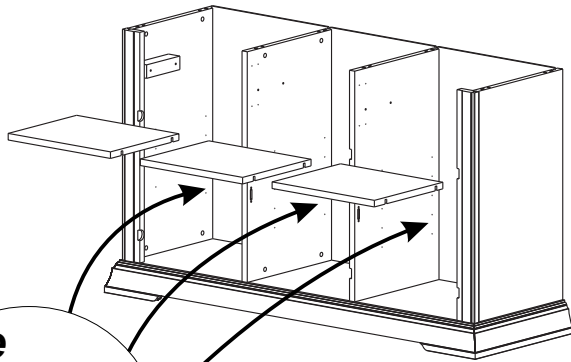
CILIEGIO - FRASSINO



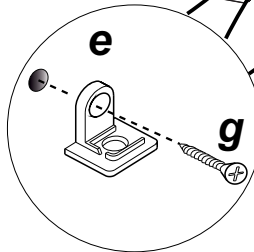
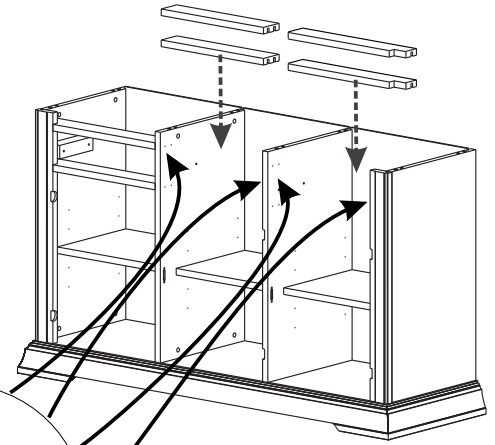
ITALIER



5A

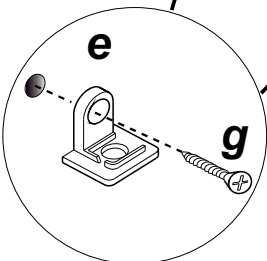
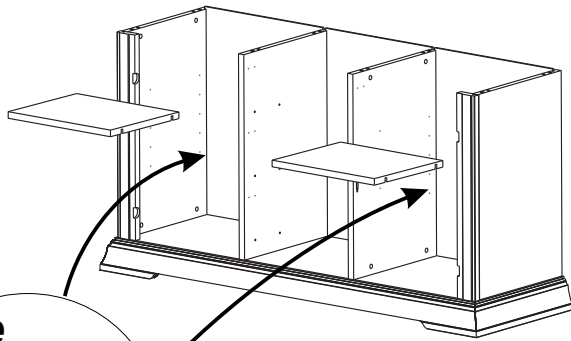


6A

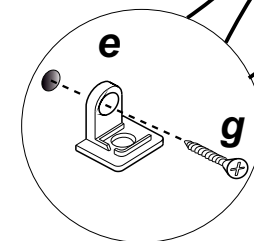
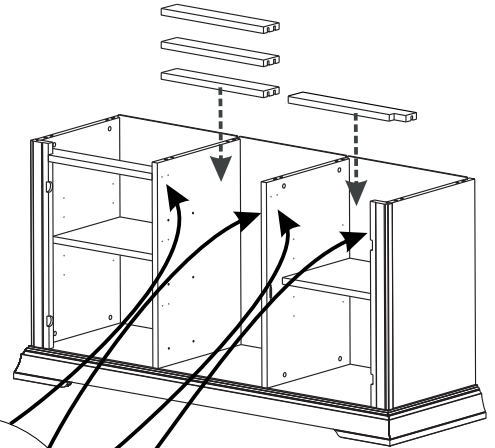


LOCKING WITH SHORT SCREWDRIVER

5B

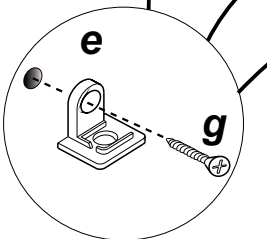
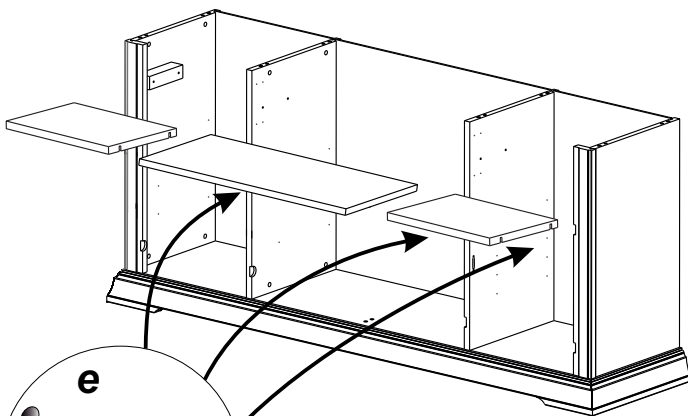


6B

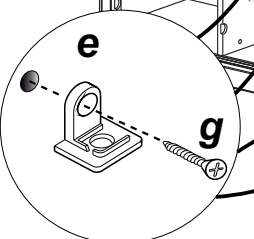
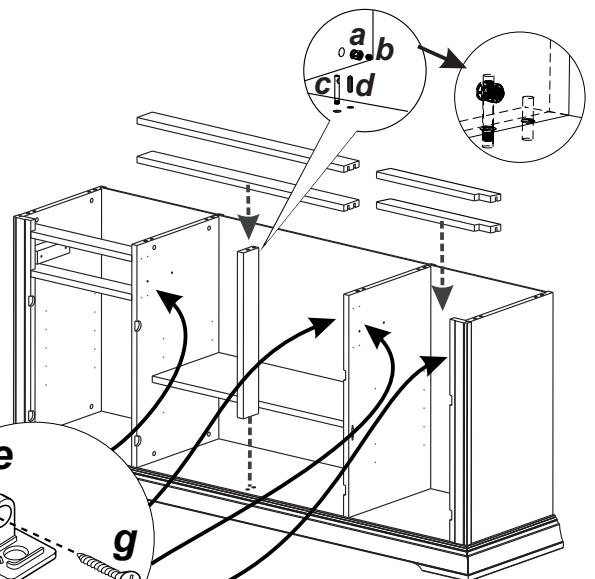


LOCKING WITH SHORT SCREWDRIVER

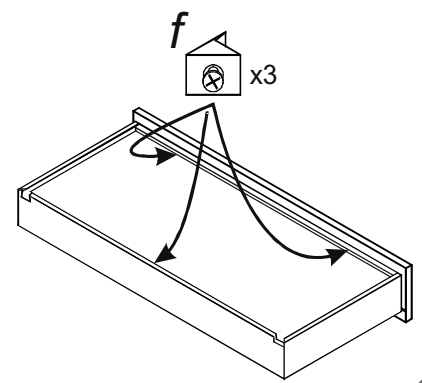
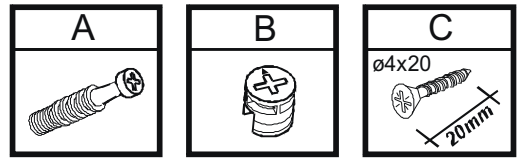
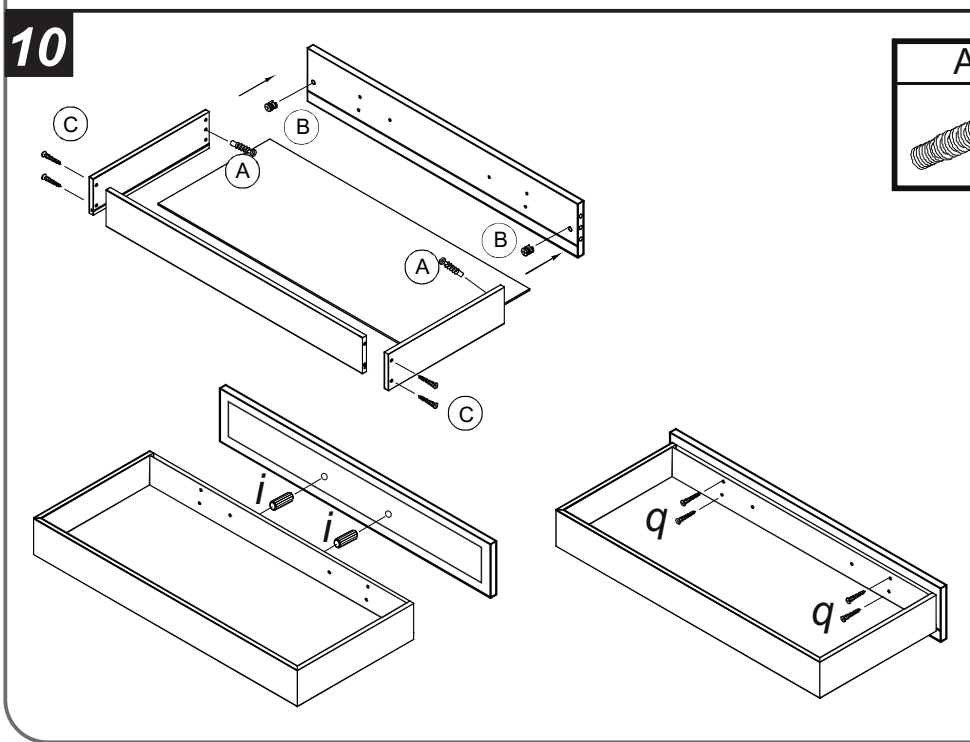
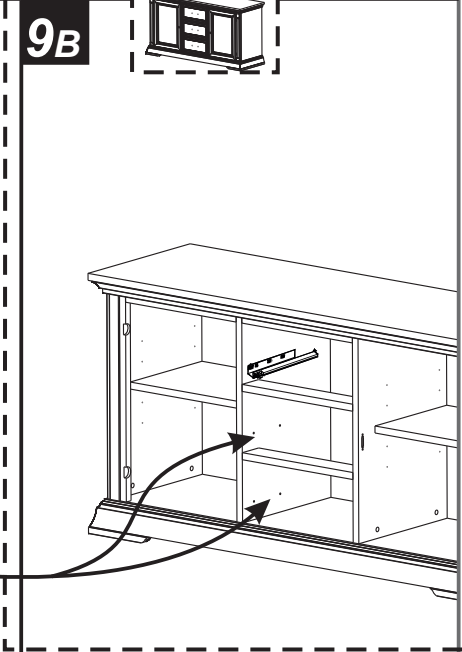
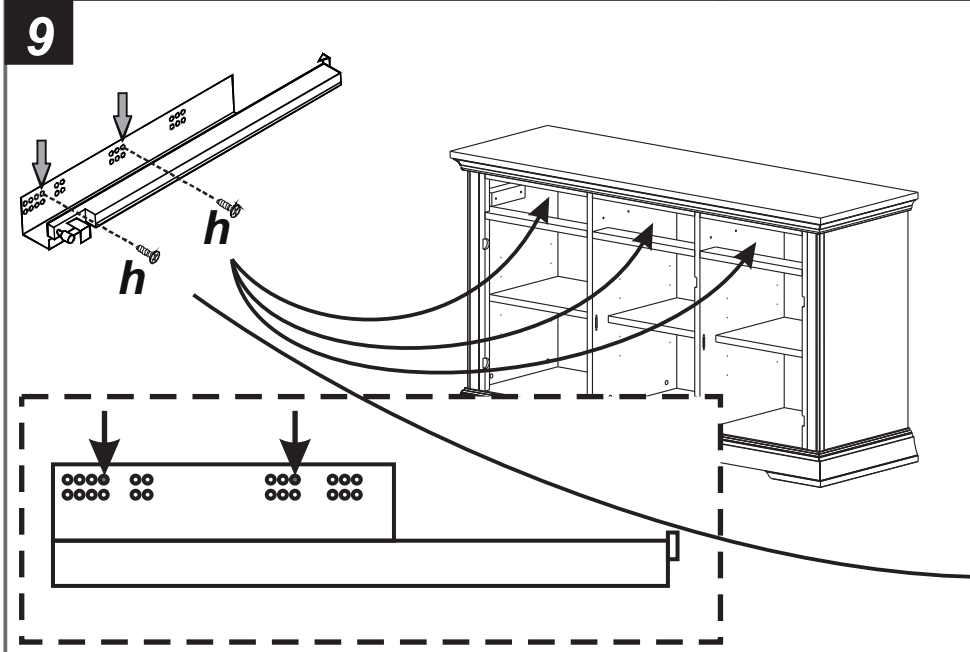
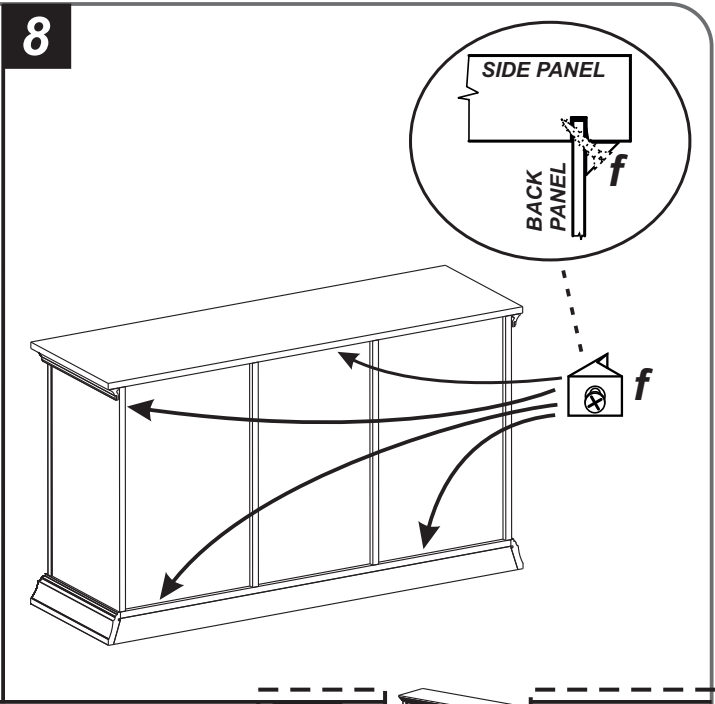
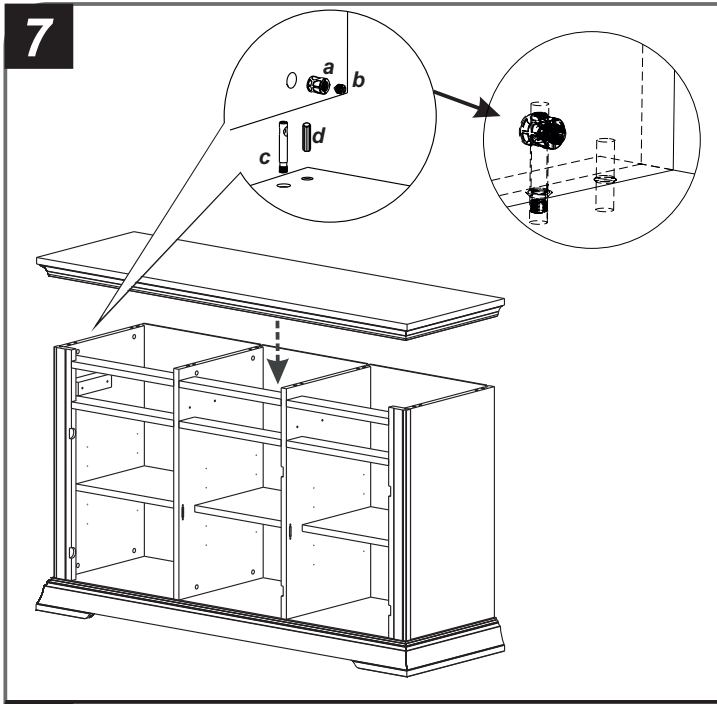
5c



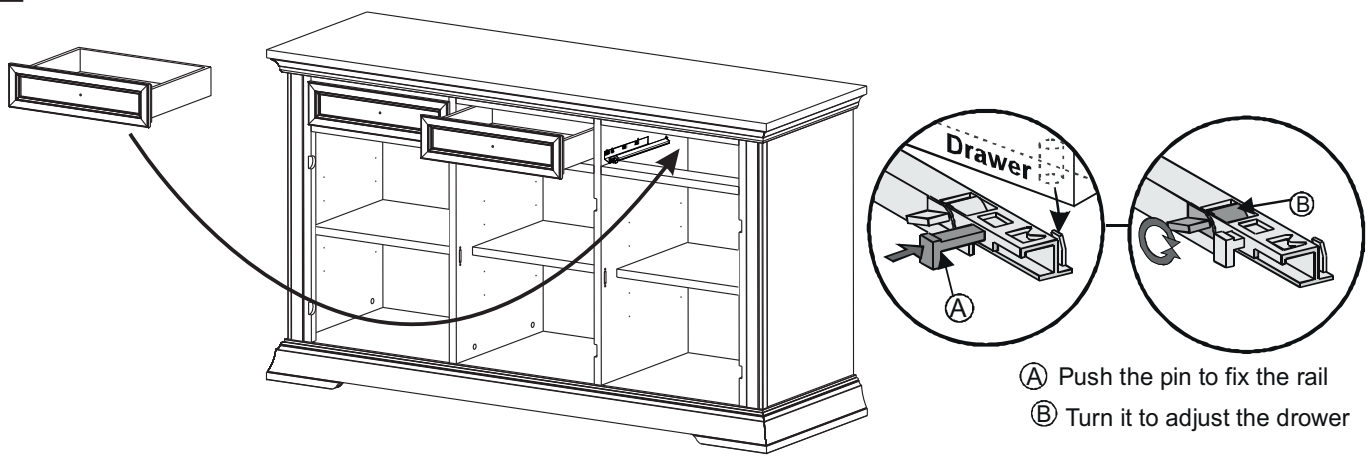
6c



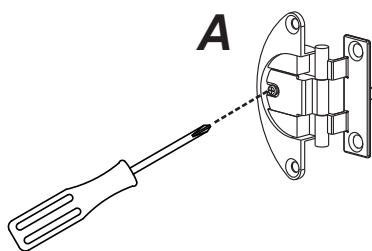
LOCKING WITH SHORT SCREWDRIVER



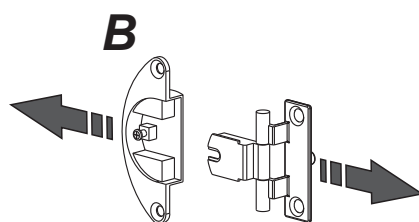
11



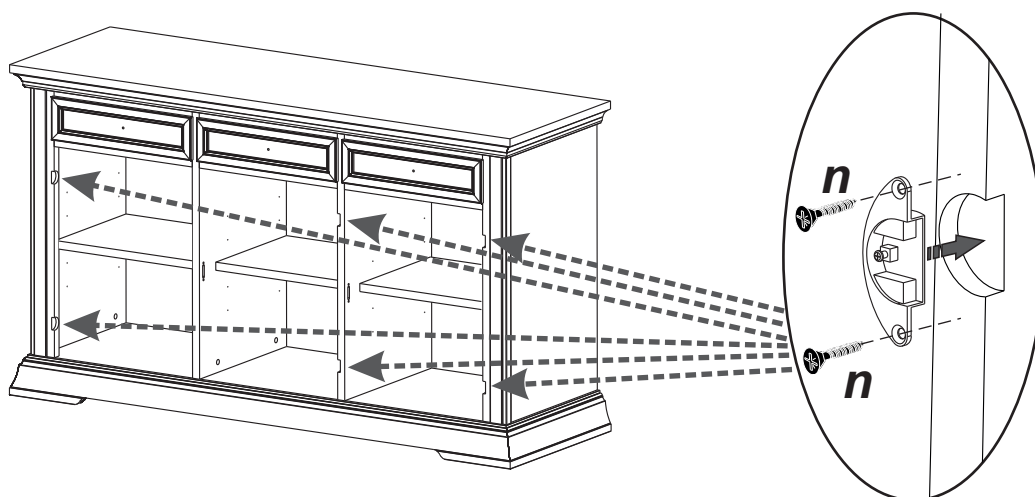
12



13



14



15

