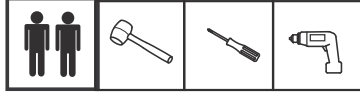
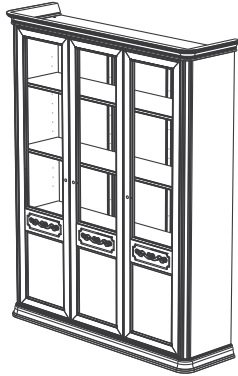


TORRIANI LIBRERIA 3 ANTE

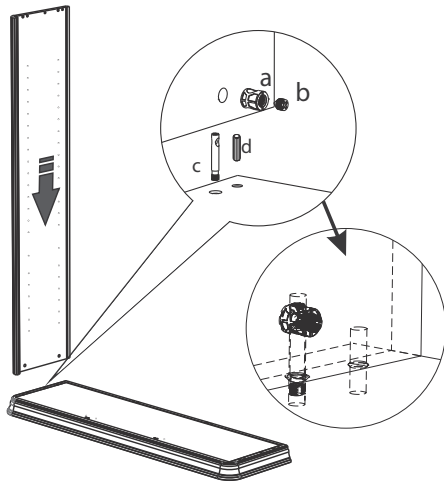
- NOCE
- AVORIO



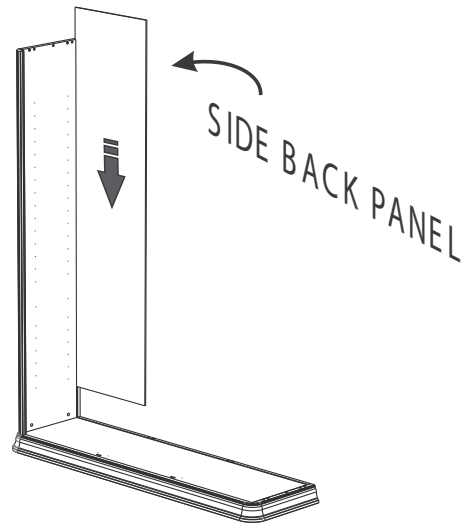
a x 14 	b x 14 	c x 14 	d x 18 	e x 2
h x 82 ø4x20 	i x 4 	l x 4 	m x 12 ø3x20 	n x 6
s x 2 ø4x35 	t x 8 	u x 8 	o x 32 	z x 9
			f x 24 	g x 40



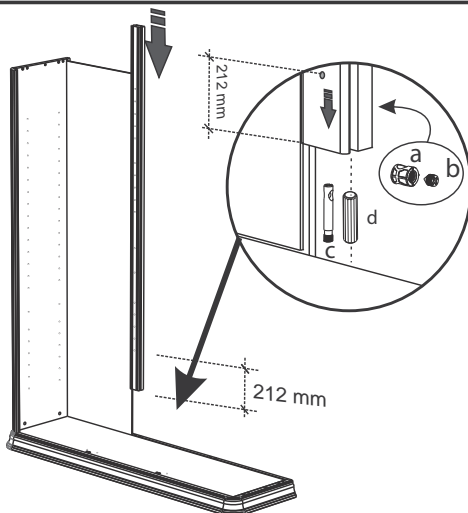
1



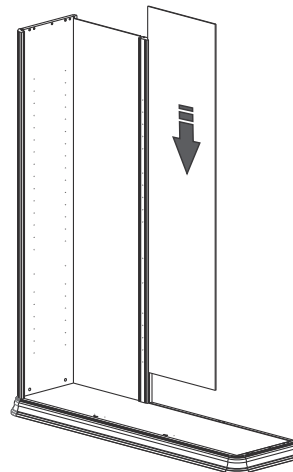
2

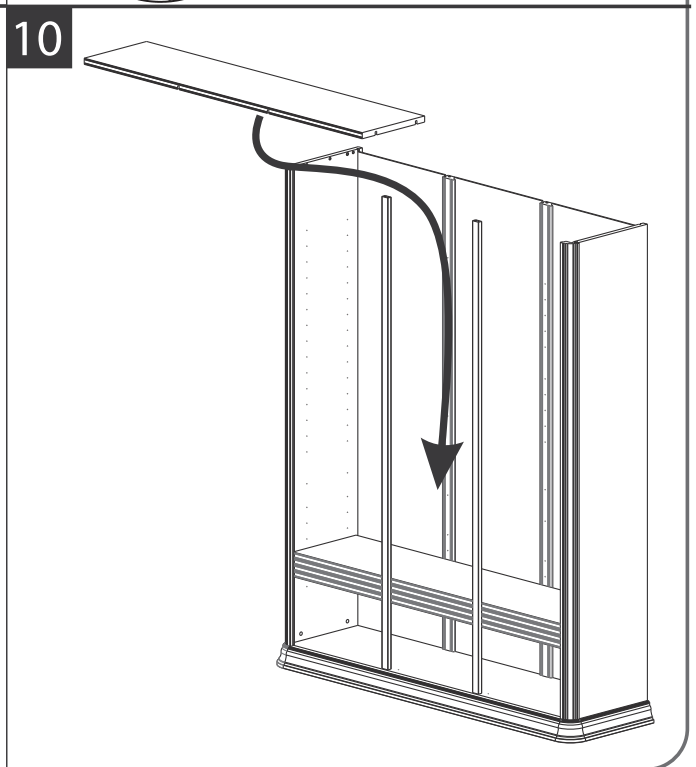
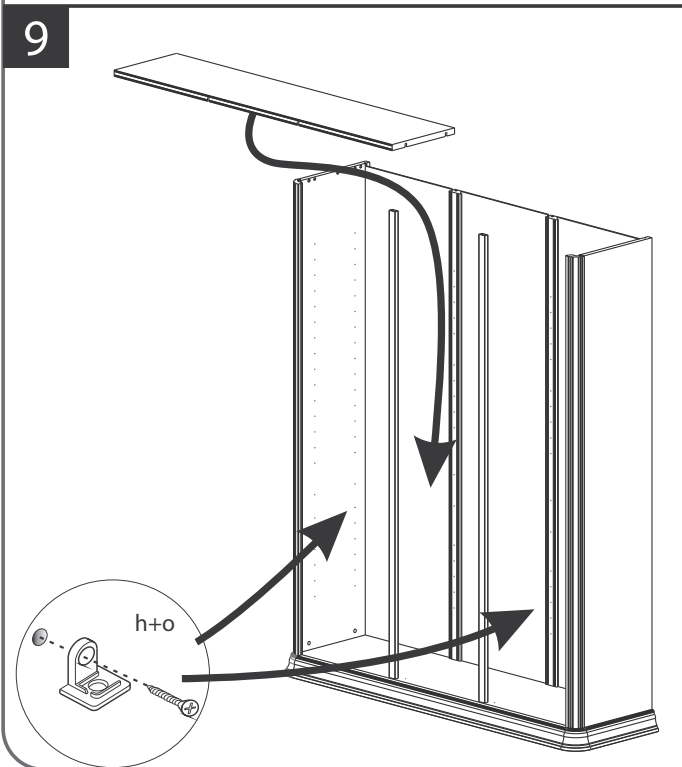
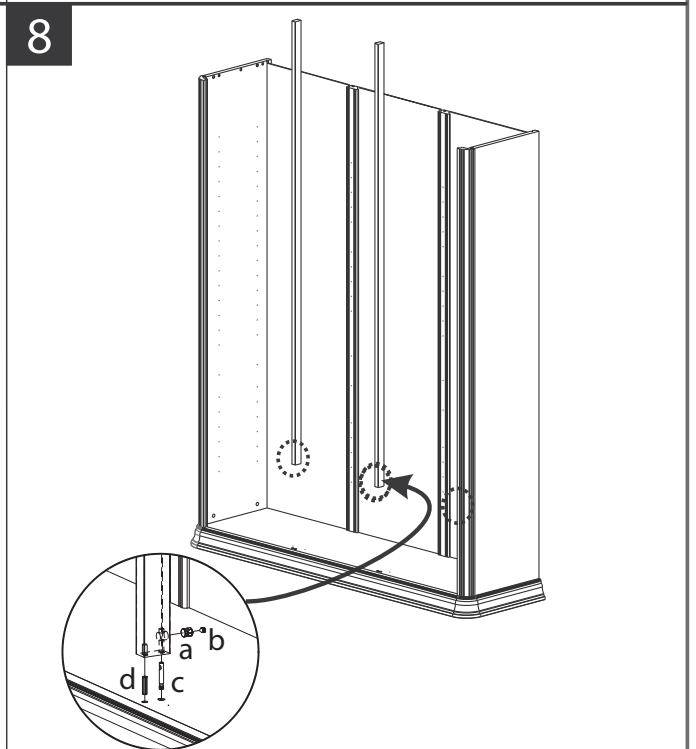
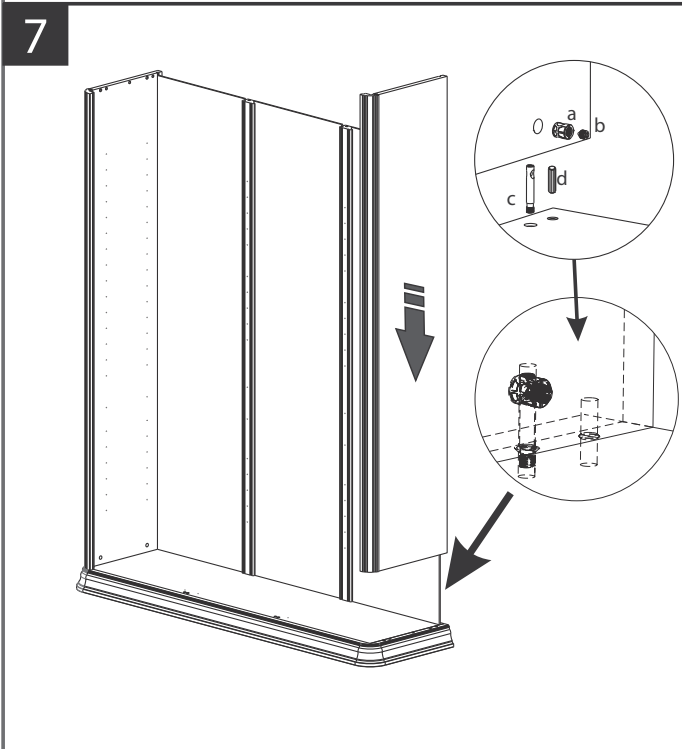
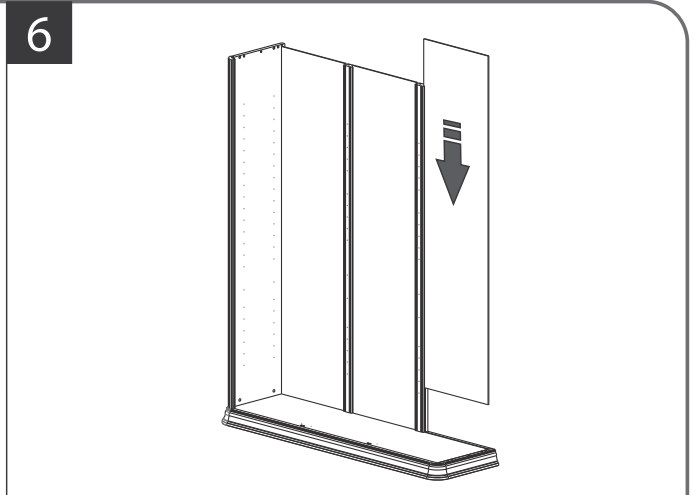
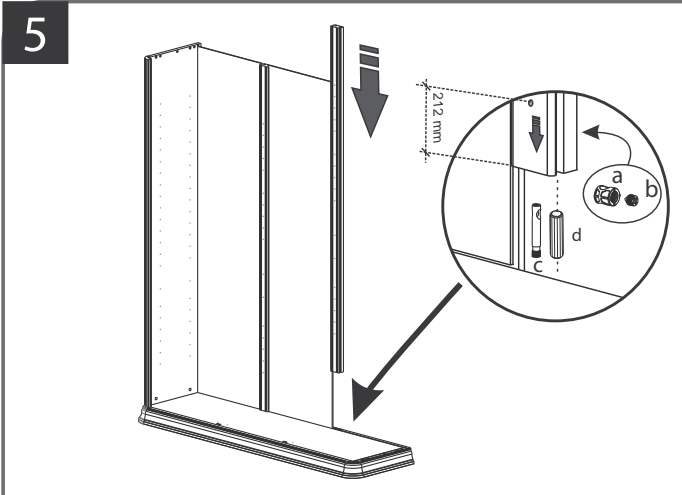


3

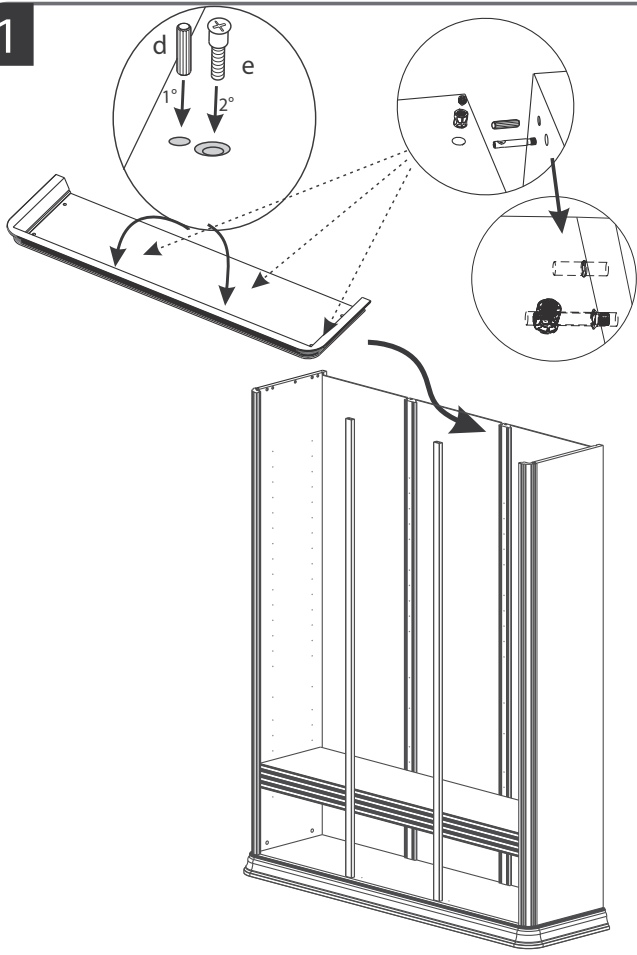


4

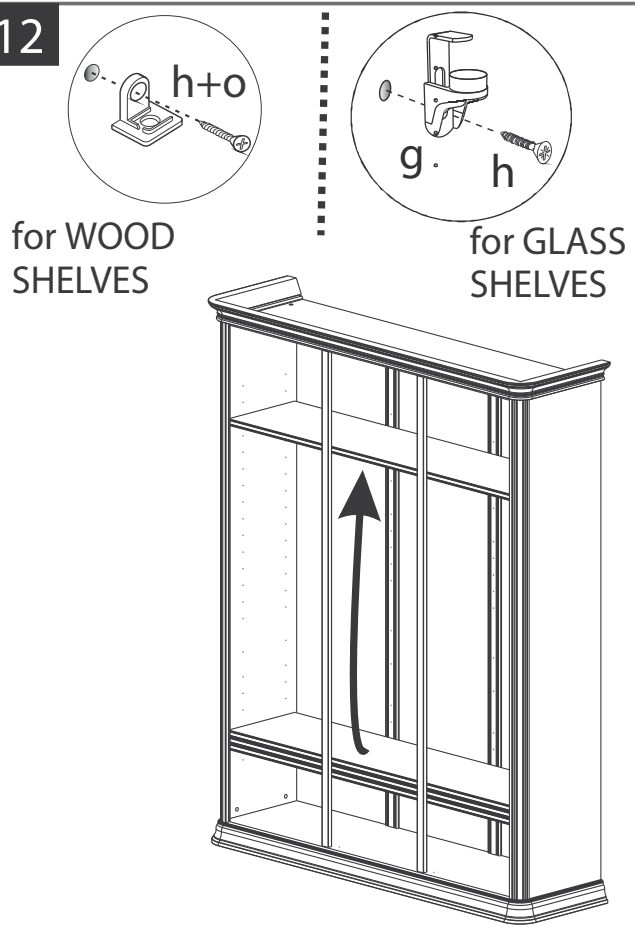




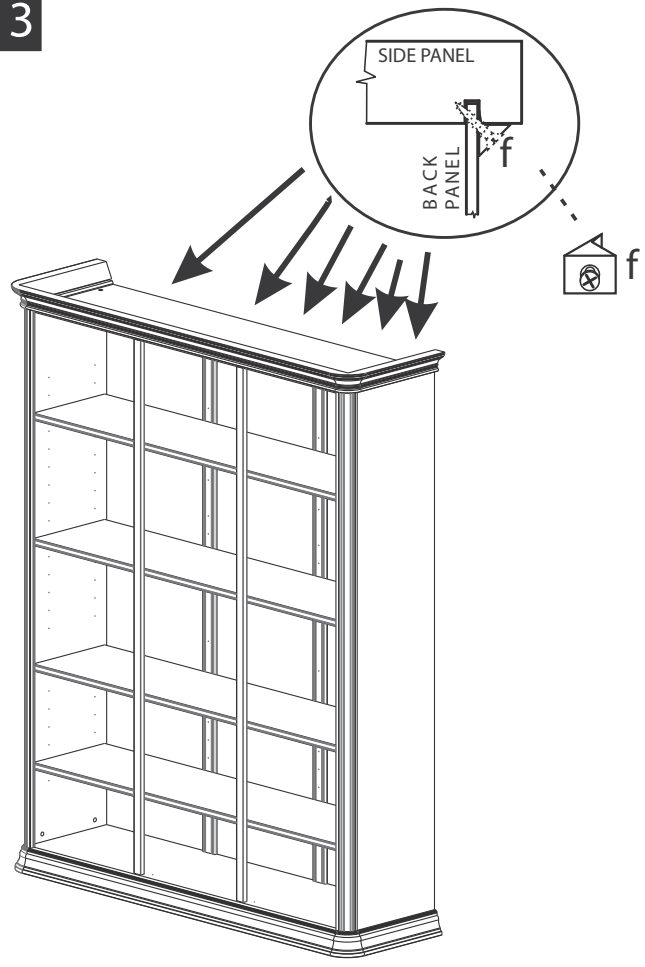
11



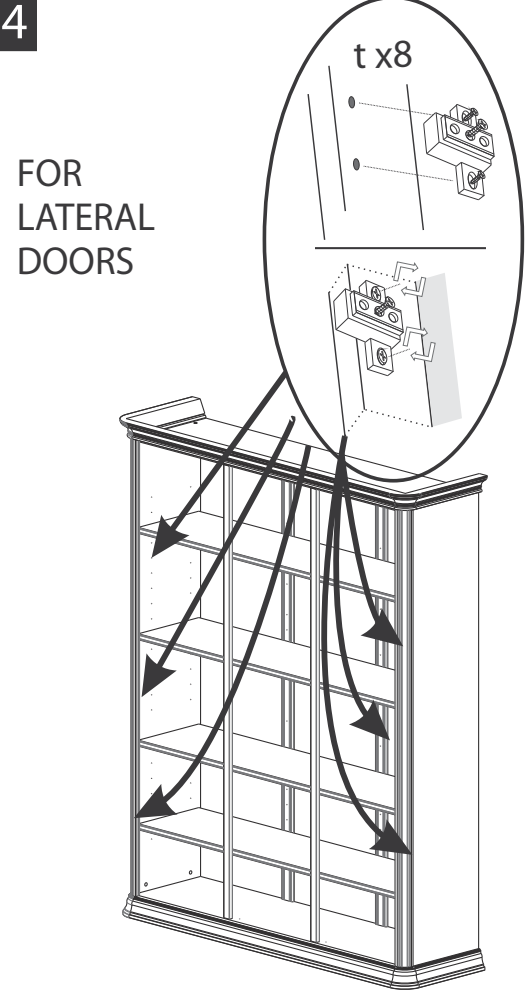
12



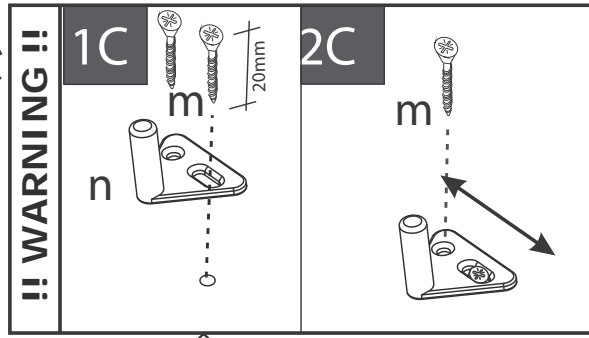
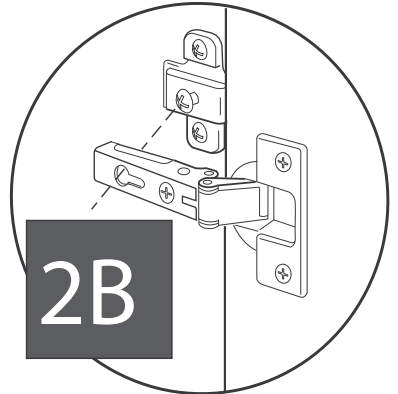
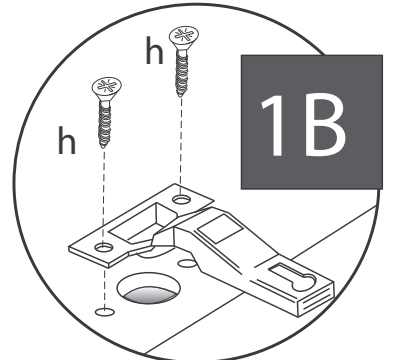
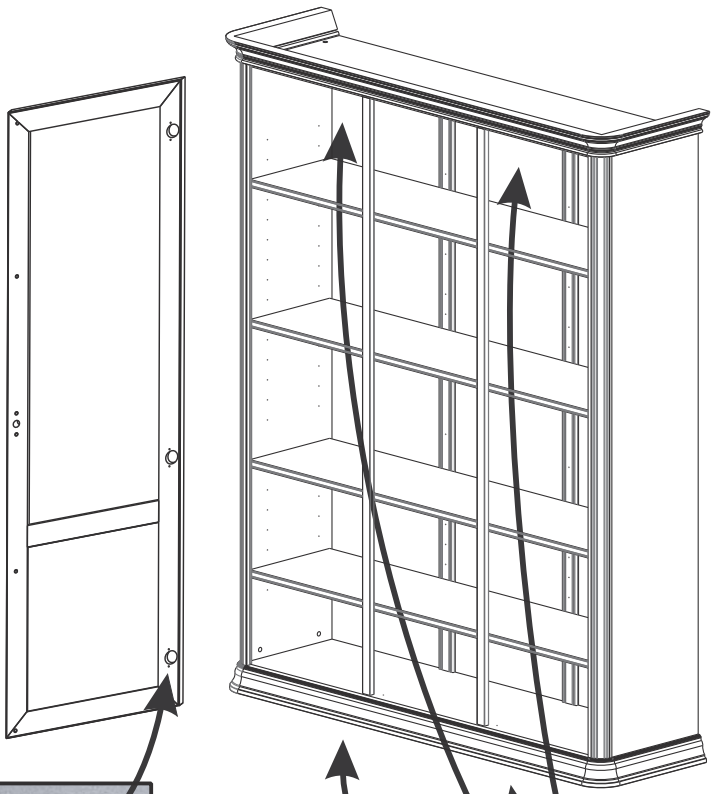
13



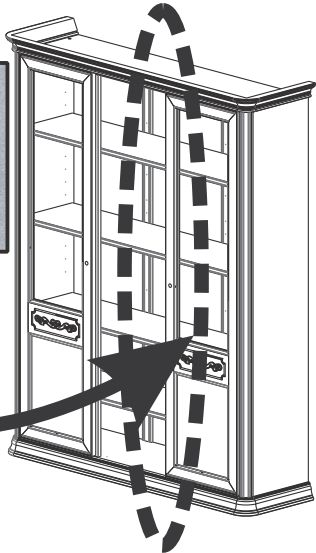
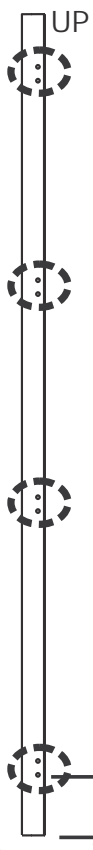
14



15



***!! WARNING !!**



179 mm

