

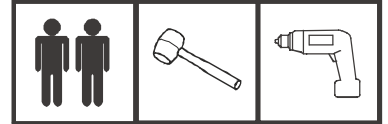
camelgroup®

Made In Italy

ITALIER

TORRIANI - NOSTALGIA - ALTEA

MODULO INSERIMENTO



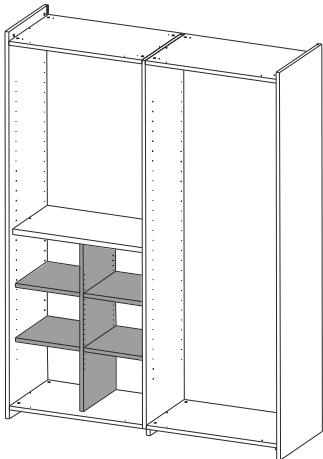
Please read this sheet prior to assembly to familiarise yourself with the various stages of construction. Do not destroy any packaging until you are certain that you have all the necessary parts for the assembly.

The manufacturer reserves the right to alter specifications without prior notice.

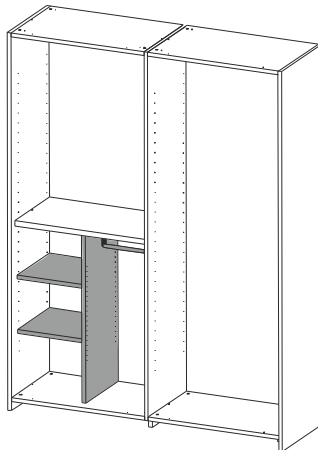
IMPORTANT NOTES:

1-Please ensure that packaging is disposed of in a safe environmentally friendly way.

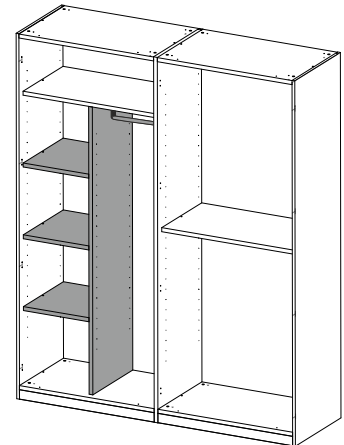
2-There are small components used in the fitting. These loose items must be kept away from young children whilst fitting your furniture.



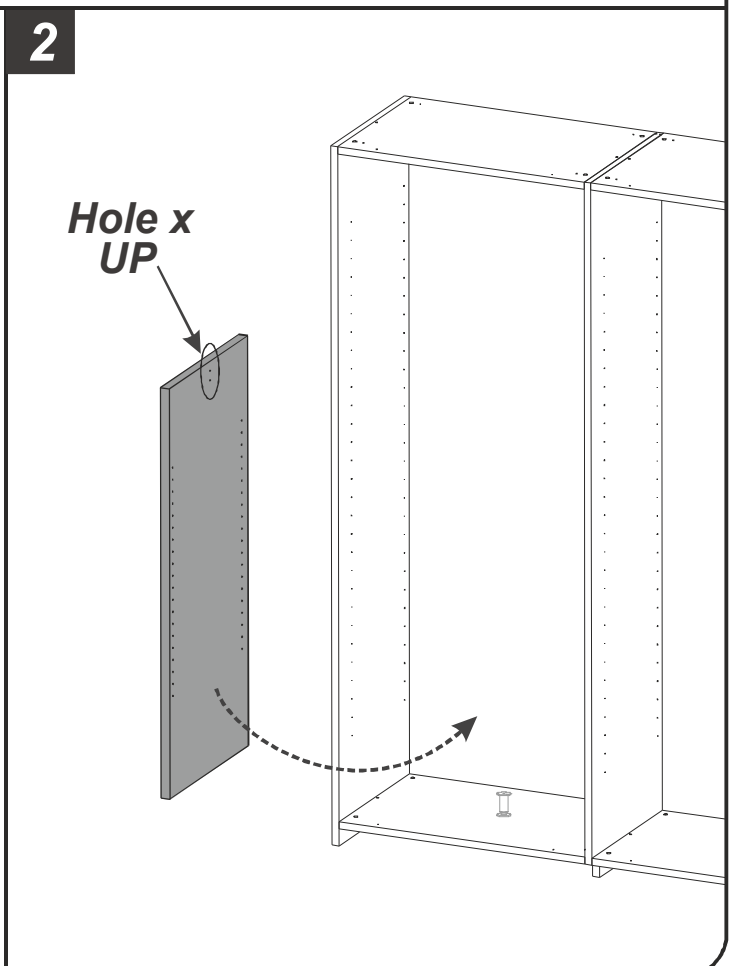
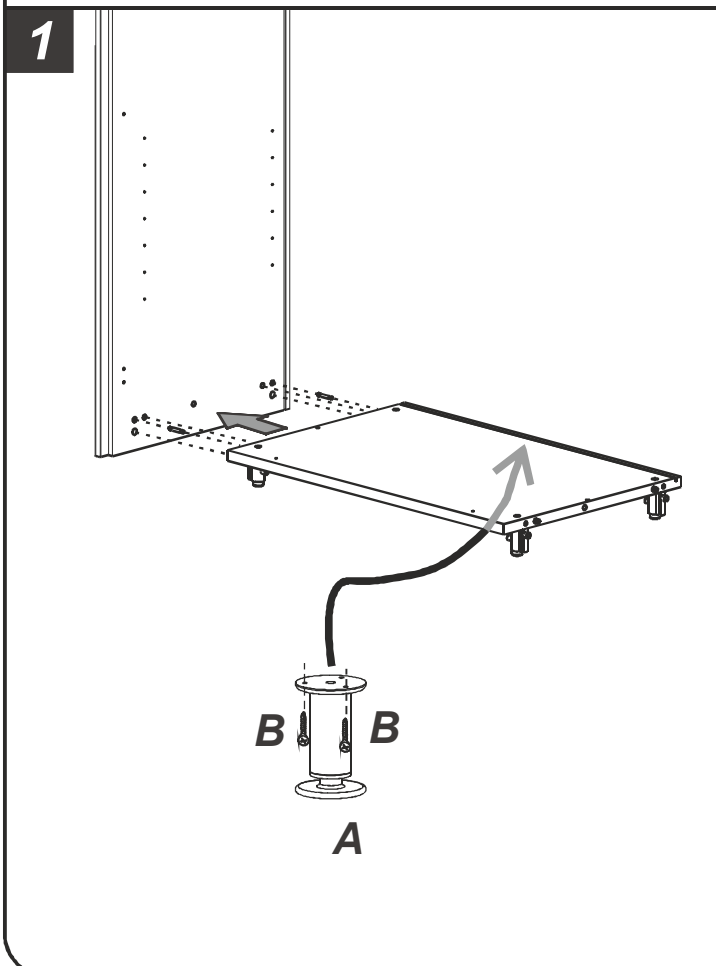
Ax1	Bx3	Cx16
	TSP Ø4x18	with EURO screw

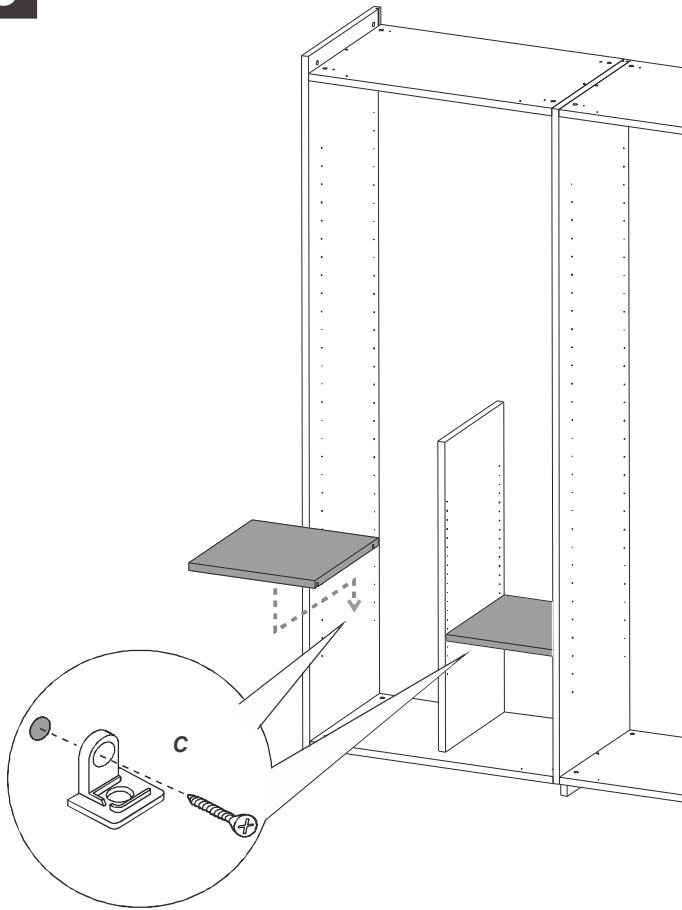
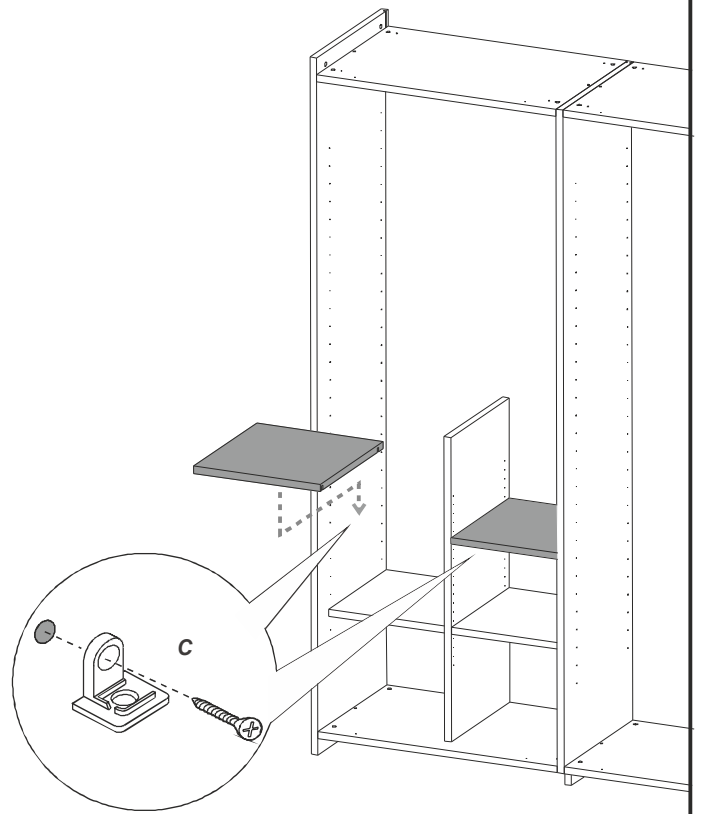
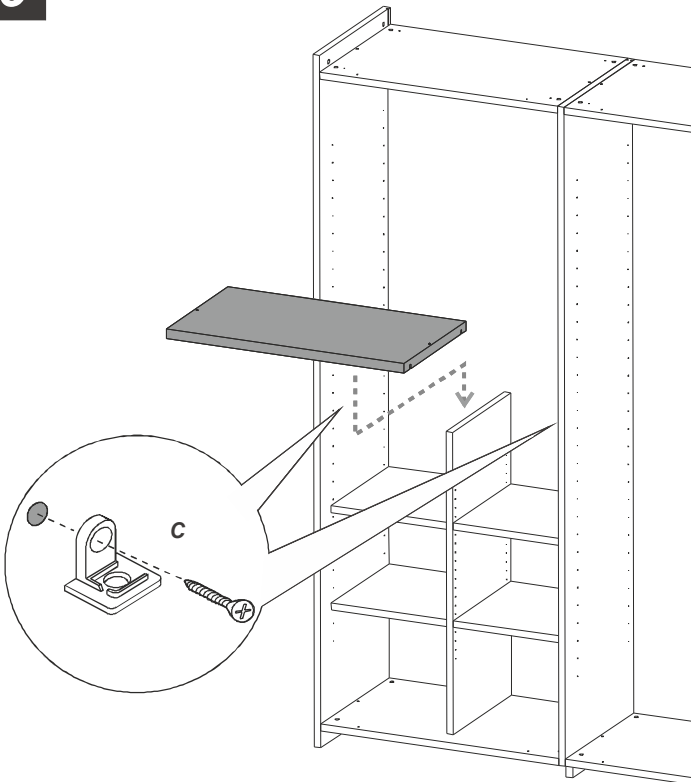


Ax1	Bx7	Cx8	Dx2
	TSP Ø4x18	with EURO screw	



Ax1	Bx7	Cx12	Dx2
	TSP Ø4x18	with EURO screw	



3**4****5****5a**