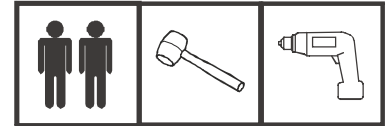


TORRIANI  
 CASSETTIERE ARMADI MODULO L.898

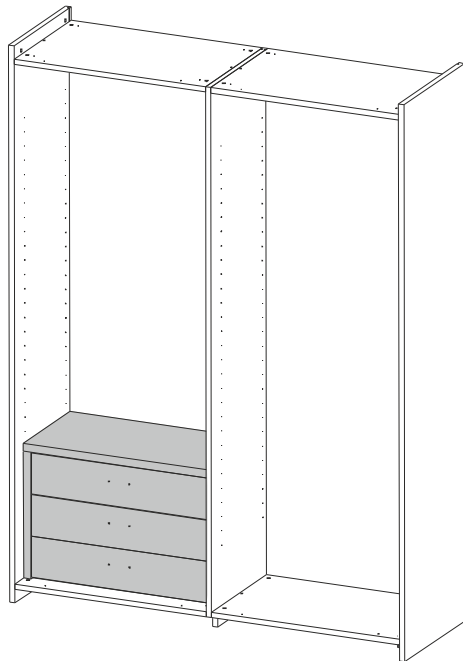







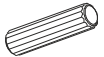
Please read this sheet prior to assembly to familiarise yourself with the various stages of construction. Do not destroy any packaging until you are certain that you have all the necessary parts for the assembly.

The manufacturer reserves the right to alter specifications without prior notice.

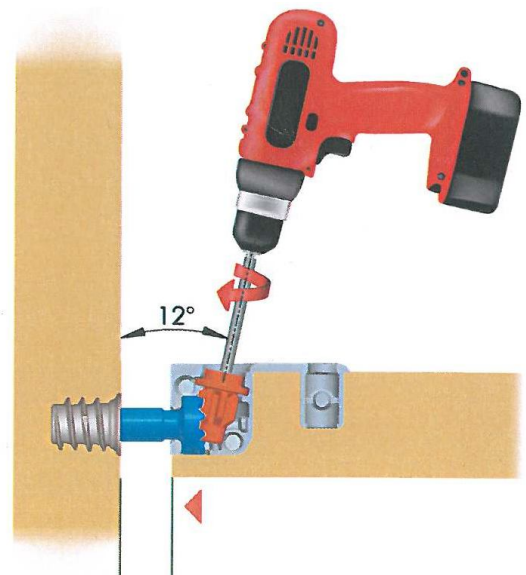
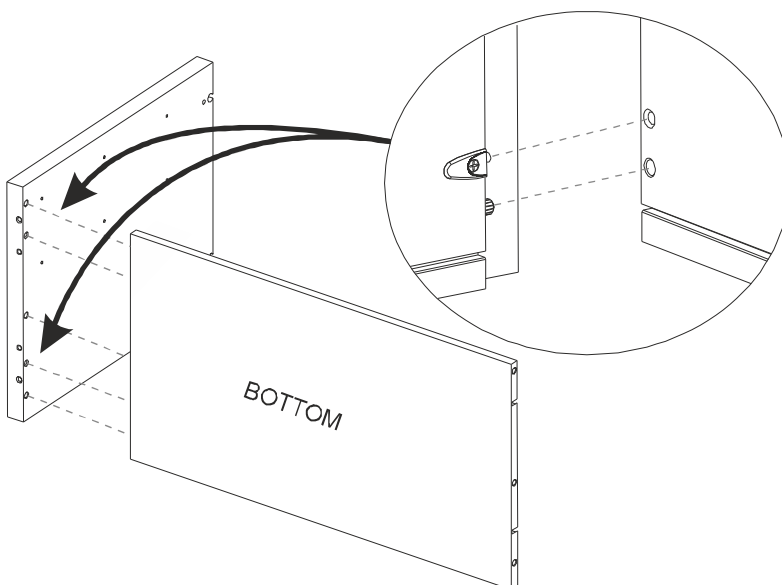
**IMPORTANT NOTES:**

- 1-Please ensure that packaging is disposed of in a safe environmentally friendly way.
- 2-There are small components used in the fitting. These loose items must be kept away from young children whilst fitting your furniture.

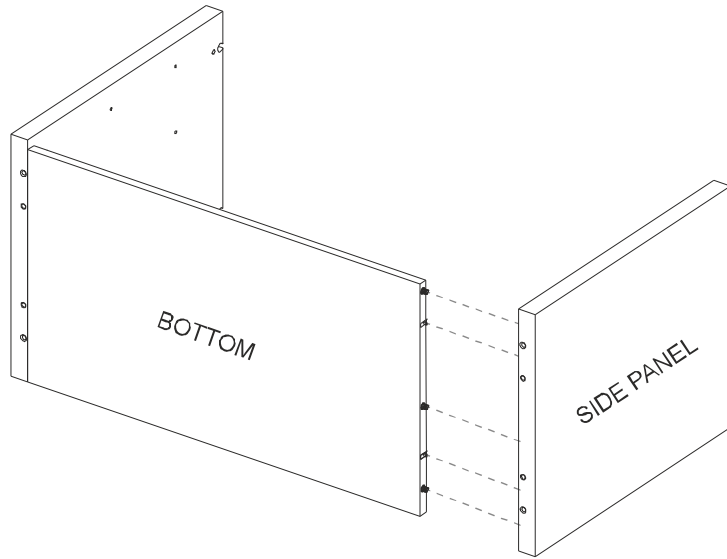


<b>A</b>  SPINA 10x40	<b>B</b> 
<b>C</b> 	<b>D</b>  TSP 4x30
<b>E</b>  TSP 4x18	<b>F</b>  SPINA 8x30

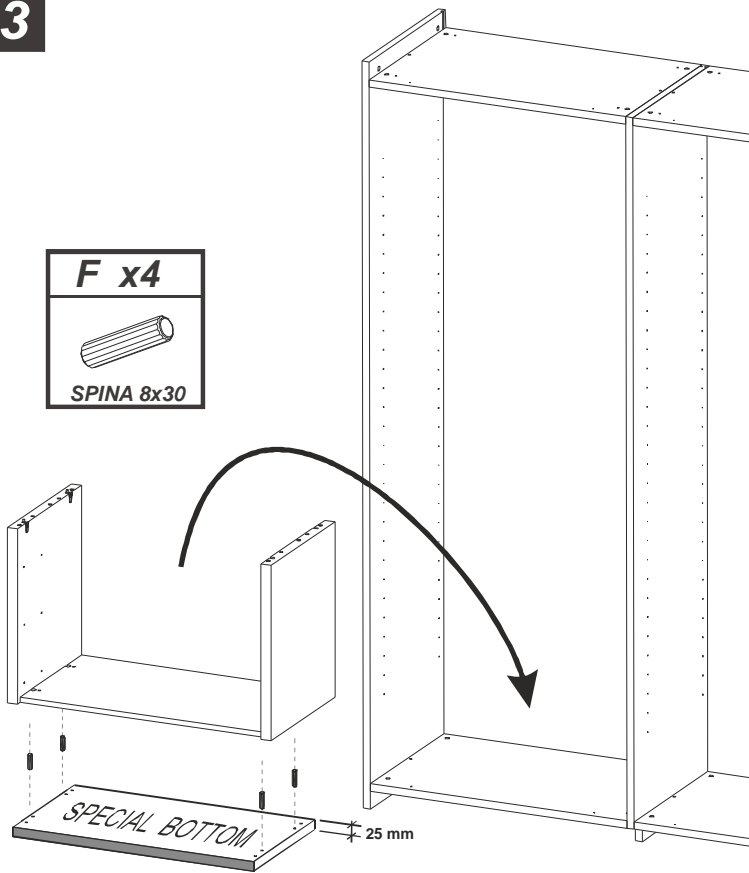
1



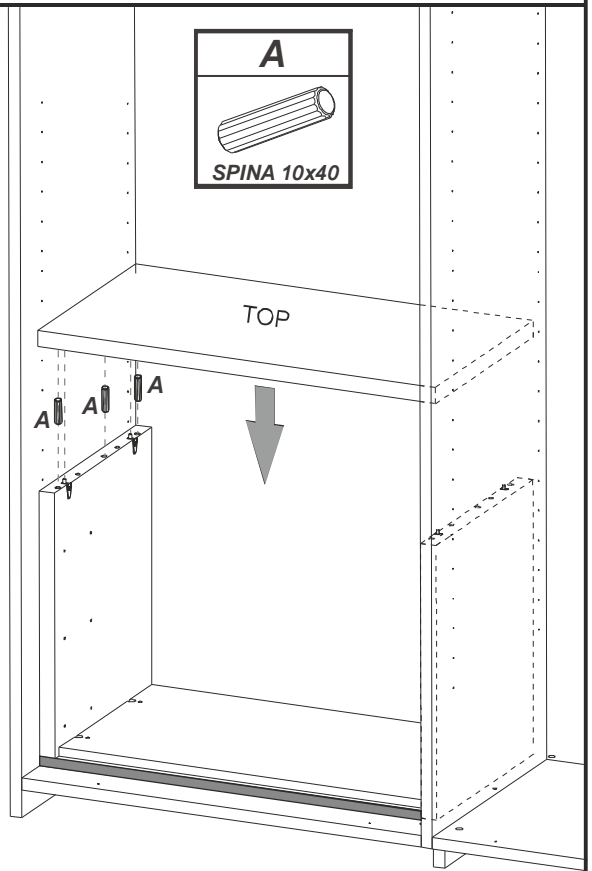
2



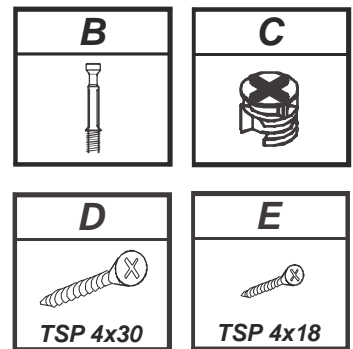
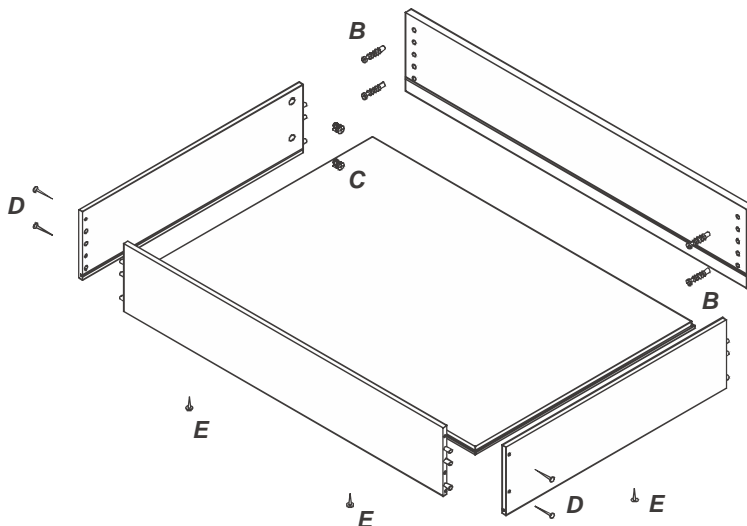
3



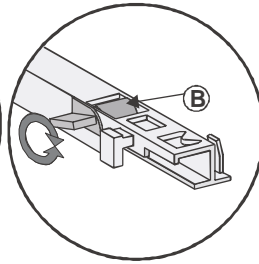
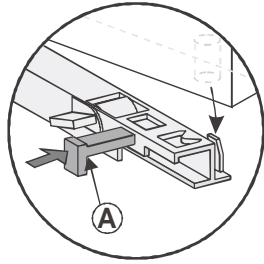
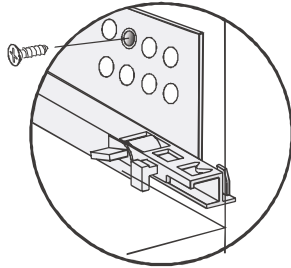
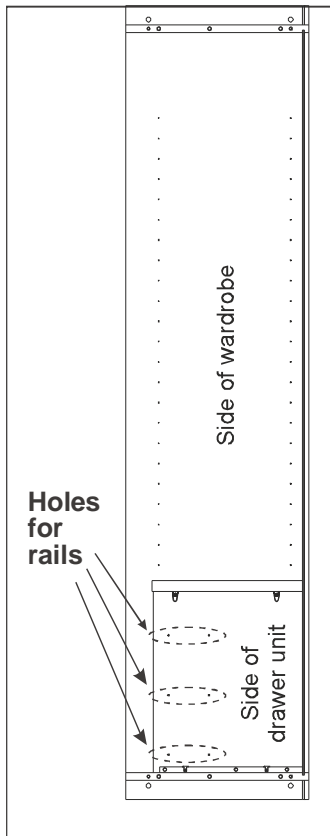
4



5

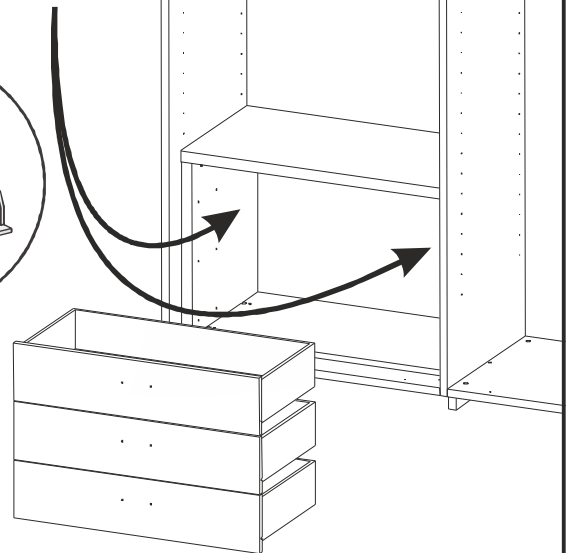


6



Assemblare le guide sui fianchi .  
 Inserire i cassetti sulle guide.  
 Fissare il cassetto alle guide premendo  
 il gancio A , presente nelle guide stesse.  
 Per allineare i frontali in altezza, se necessario,  
 agire sulla leva B .

*Fix guides to sides panels.  
 Insert drawers into guides.  
 Push point !A" to fix the drawers to guides.  
 Push the point !B" to adjust frontals, if necessary*



**SPECIALE / SPECIAL**

