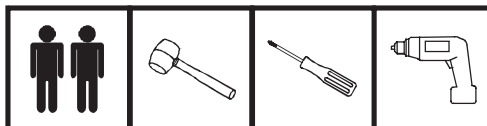


TORRIANI  
ANTE SCORREVOLI



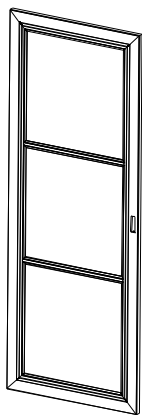
Please read this sheet prior to assembly to familiarise yourself with the various stages of construction. Do not destroy any packaging until you are certain that you have all the necessary parts for the assembly.

The manufacturer reserves the right to alter specifications without prior notice.

IMPORTANT NOTES:

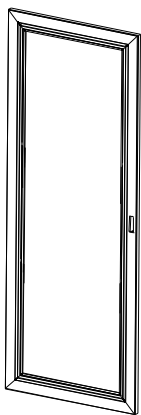
- 1-Please ensure that packaging is disposed of in a safe environmentally friendly way.
- 2-There are small components used in the fitting. These loose items must be kept away from young children whilst fitting your furniture.

ANTA «TERNA»



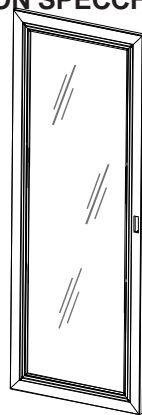
«TERNA» DOOR

ANTA «PIANA»

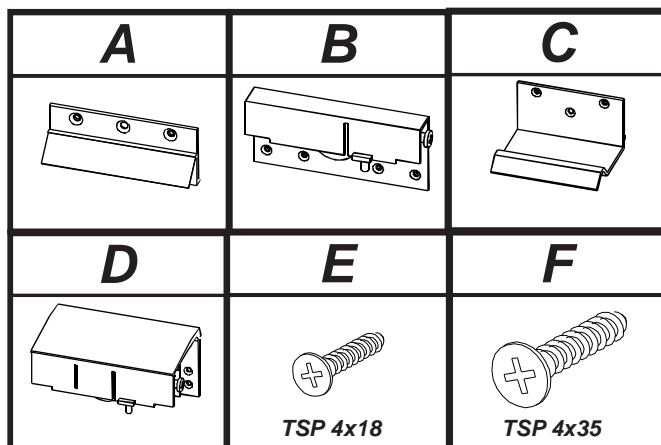


«PIANA» DOOR

ANTA «PIANA  
CON SPECCHIO»

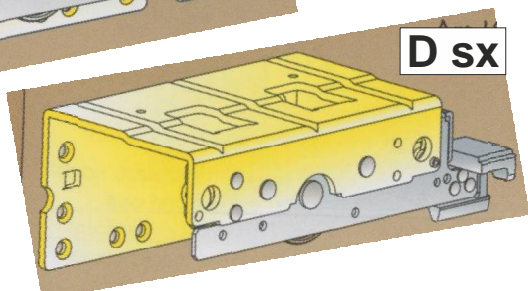
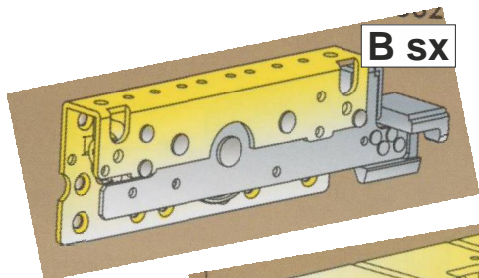
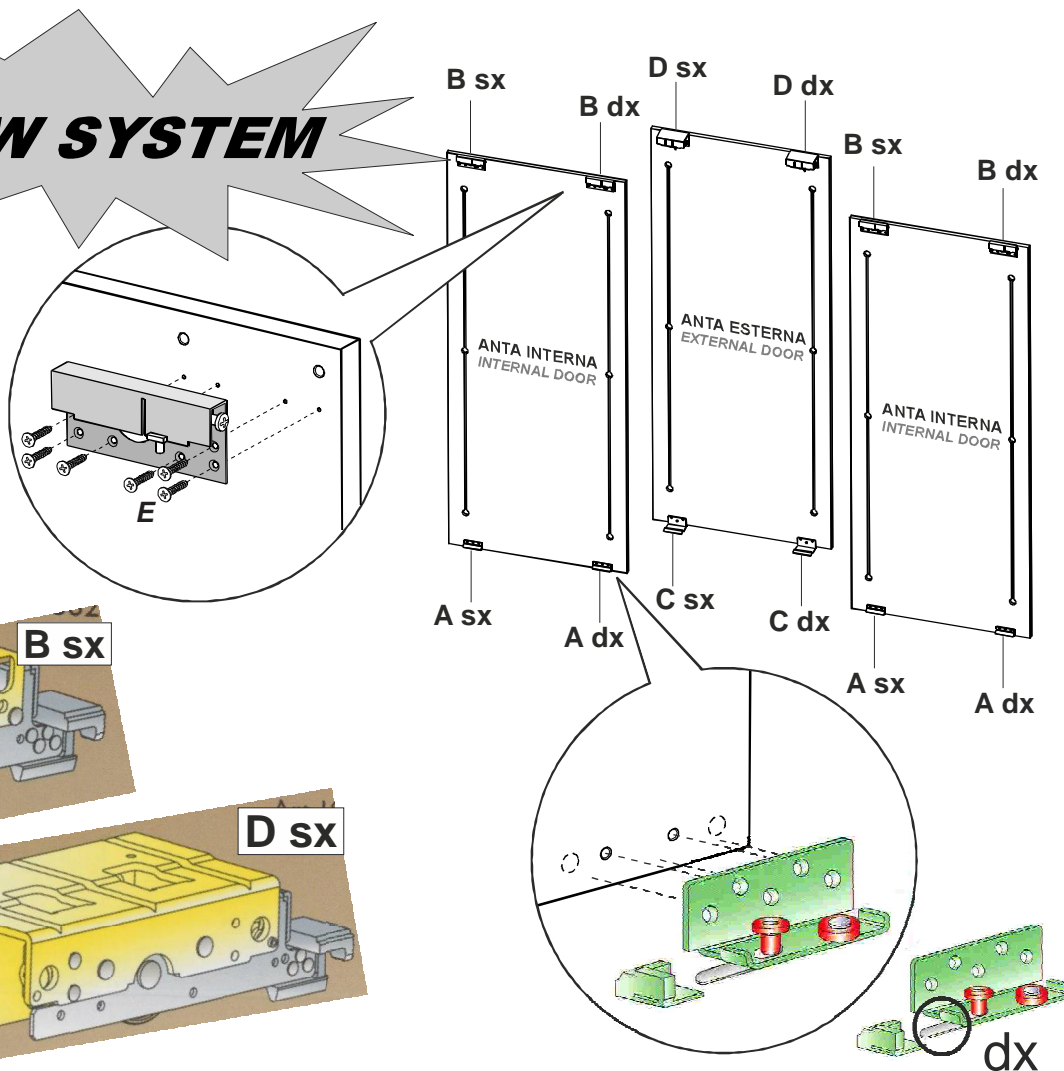


«PIANA DOOR  
WITH MIRROR»



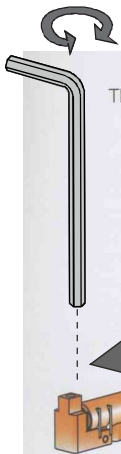
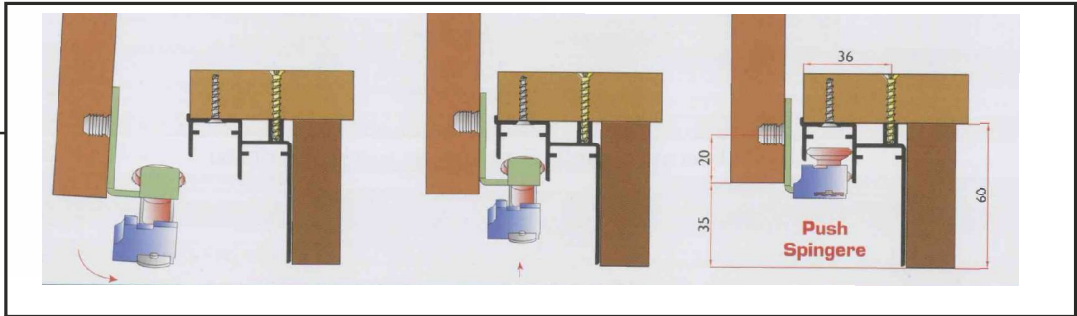
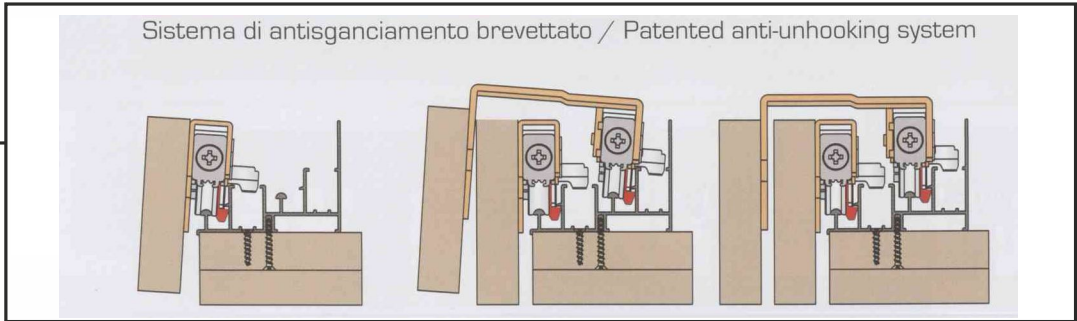
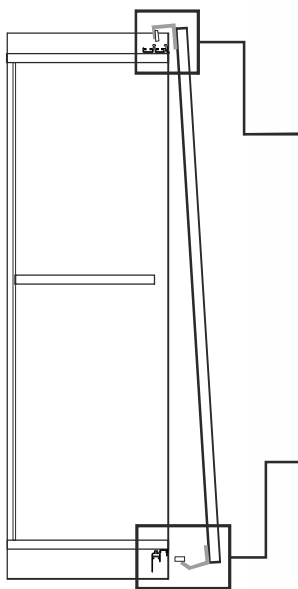
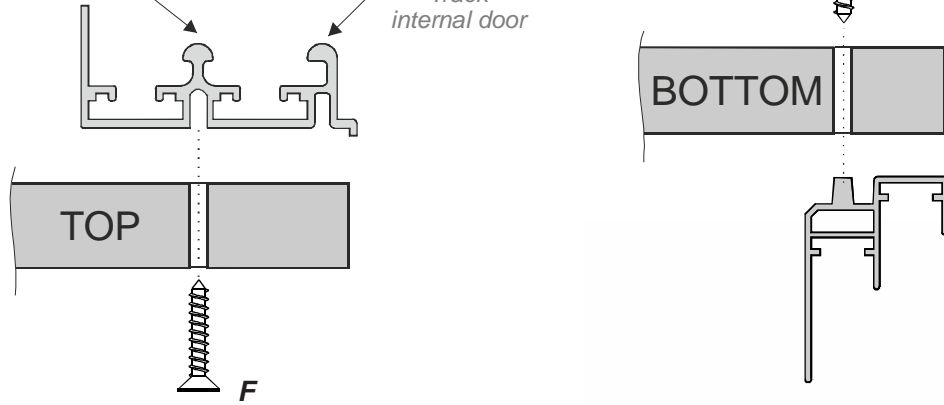
1

**NEW SYSTEM**

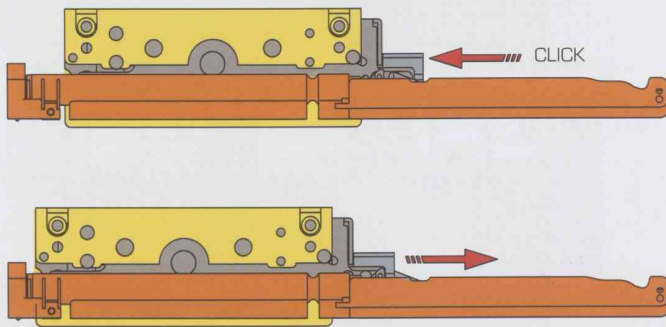


Binario  
anta esterna  
Track  
external door

Binario  
anta interna  
Track  
internal door

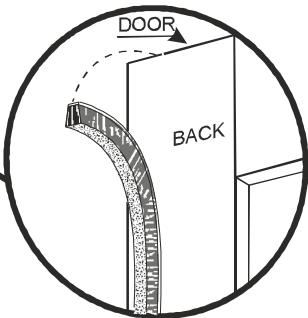
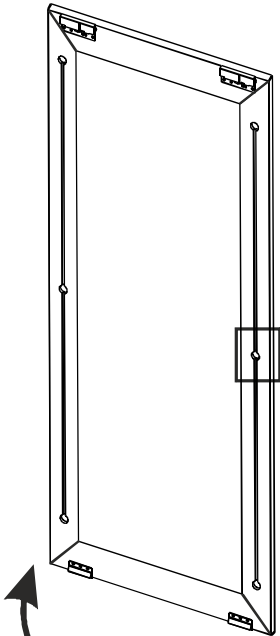
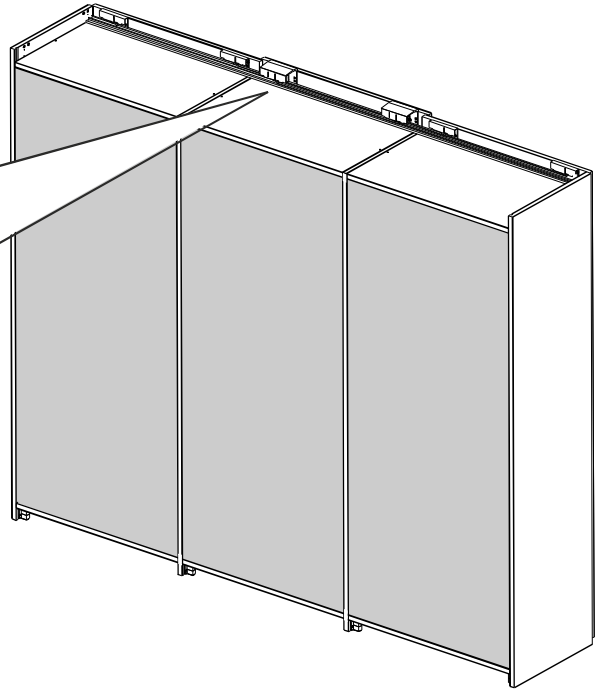
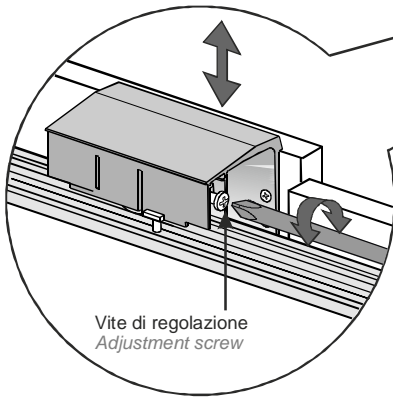


L'ammortizzatore è montato sullo scorrevole e si carica in automatico alla prima chiusura dell'anta  
The shock absorber is mounted on the sliding mechanism and calibrates itself automatically when the doors close for the first time



3

# ! IMPORTANTE: REGOLAZIONI ! IMPORTANT: REGULATION



<p>Se la parte centrale dell'anta e' curvata verso l'interno, girare il tirante in senso anti-orario If the central part of the door is bended to the inside, turn the regulation key to the right. (against the clock)</p>	<p>Esterno anta Outside door</p>
---	--------------------------------------

<p>Se la parte centrale dell'anta e' curvata verso l'esterno, girare il tirante in senso orario. If the central part of the doors bended to the outside, turn the regulation keys to the left.</p>	<p>Esterno anta Outside door</p>
--	--------------------------------------

Fissare la composizione alla parete con l'apposita ferramenta come illustrato  
The composition must be fixed to the wall with the appropriate hardware as for our drawing  
Прикрепить композицию к стене соответствующим крепежом как показано на рисунке

TOP

