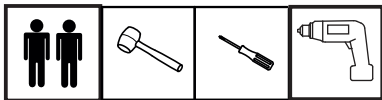


NOSTALGIA

CREDENZA 2A

CREDENZA 3A

- NOCE
- FRASSINO

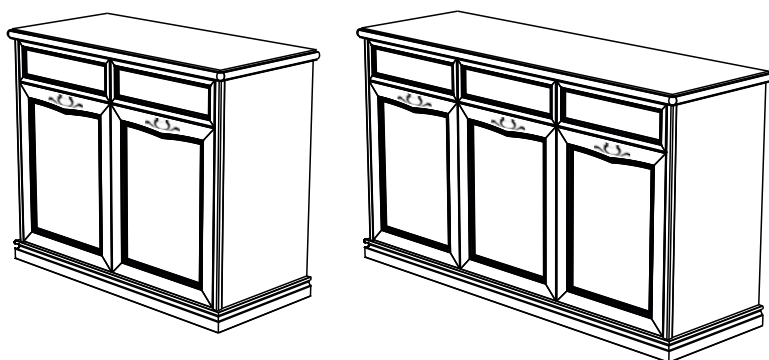


Please read this sheet prior to assembly to familiarise yourself with the various stages of construction. Do not destroy any packaging until you are certain that you have all the necessary parts for the assembly. The manufacturer reserves the right to alter specifications without prior notice.

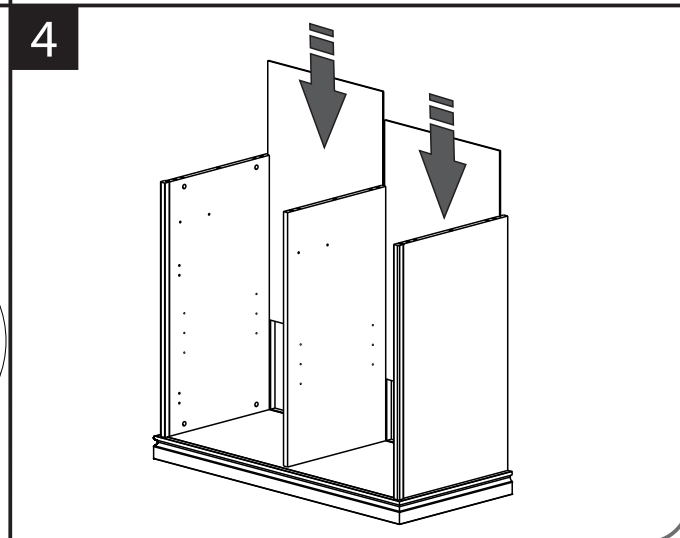
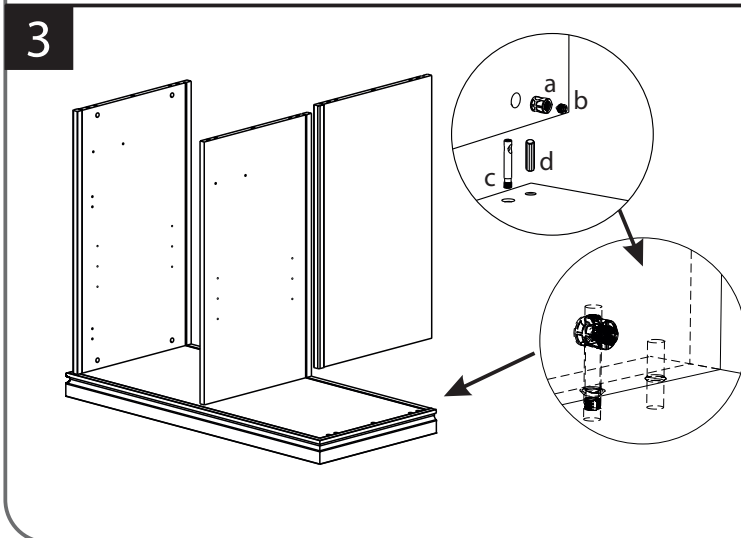
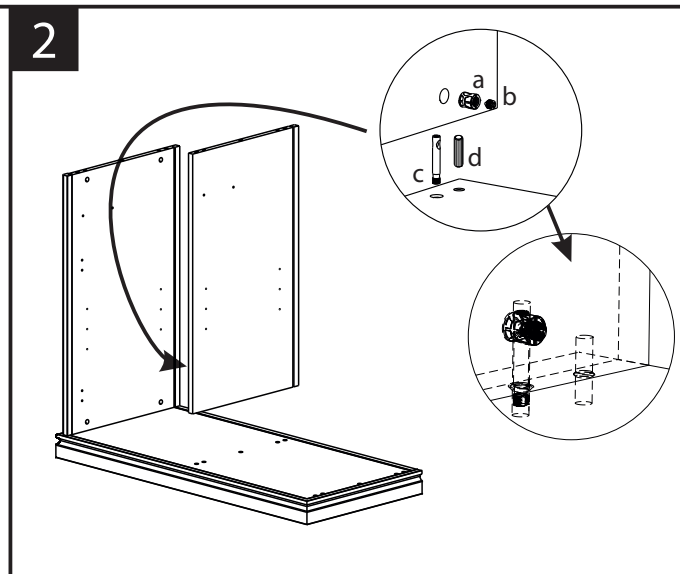
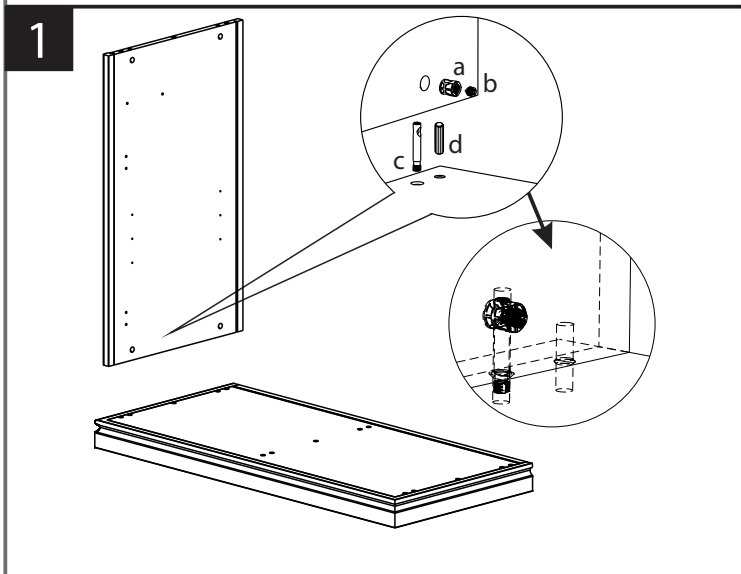
IMPORTANT NOTES:

1-Please ensure that packaging is disposed of in a safe environmentally friendly way.

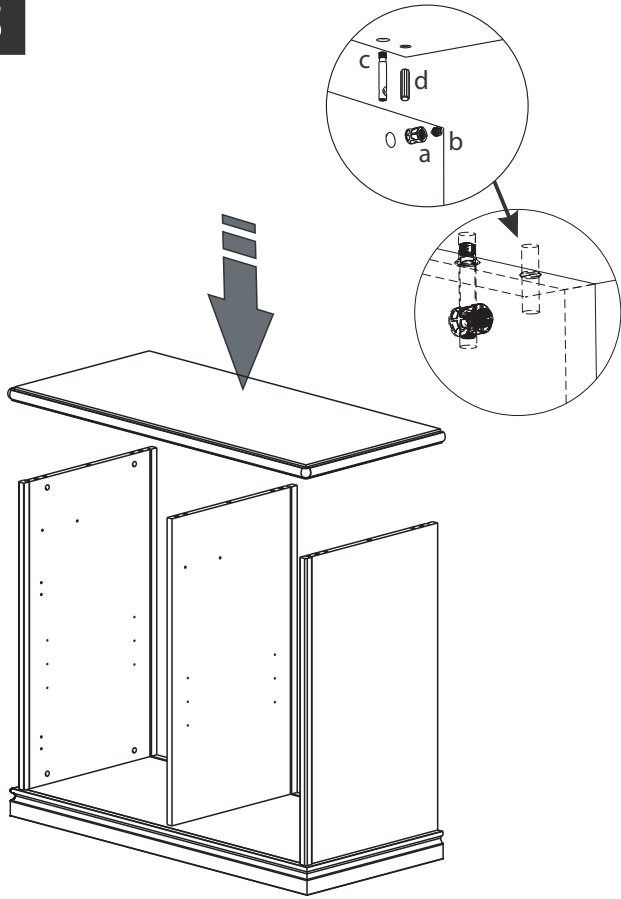
2-There are small components used in the fitting. These loose items must be kept away from young children whilst fitting your furniture.



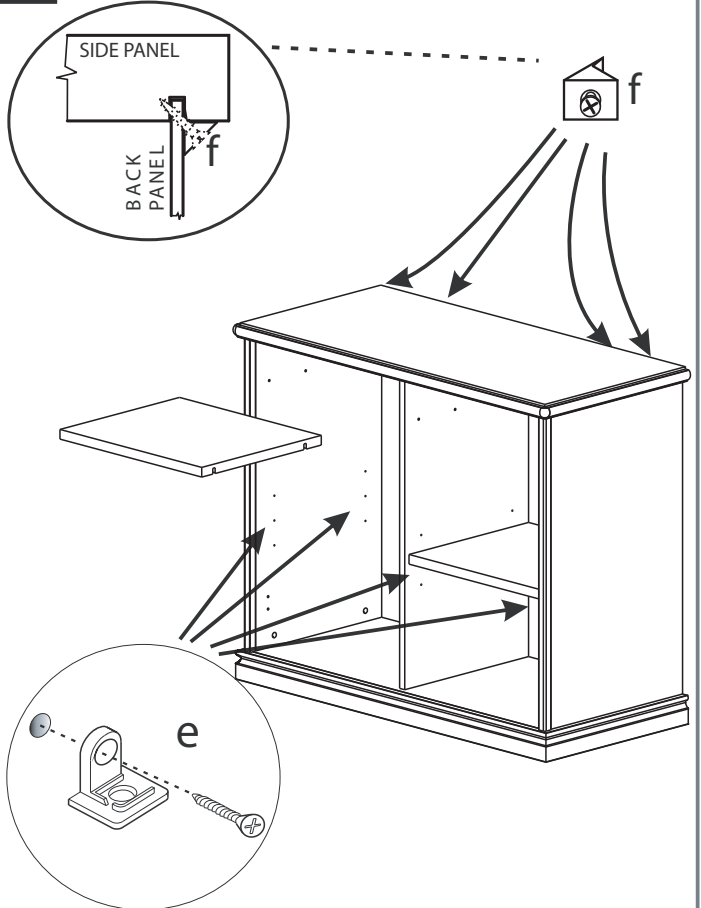
a (x12) 	b (x12) 	c (x13) 	d (x18) ø8x40 	e (x8)
f (x12) 	g (x5) 	h (x8) ø4x20 20mm 	i (x4) 	l (x4)
m (x8) 	n (x8) ø4x25 25mm 	p (x4) ø10x20 		



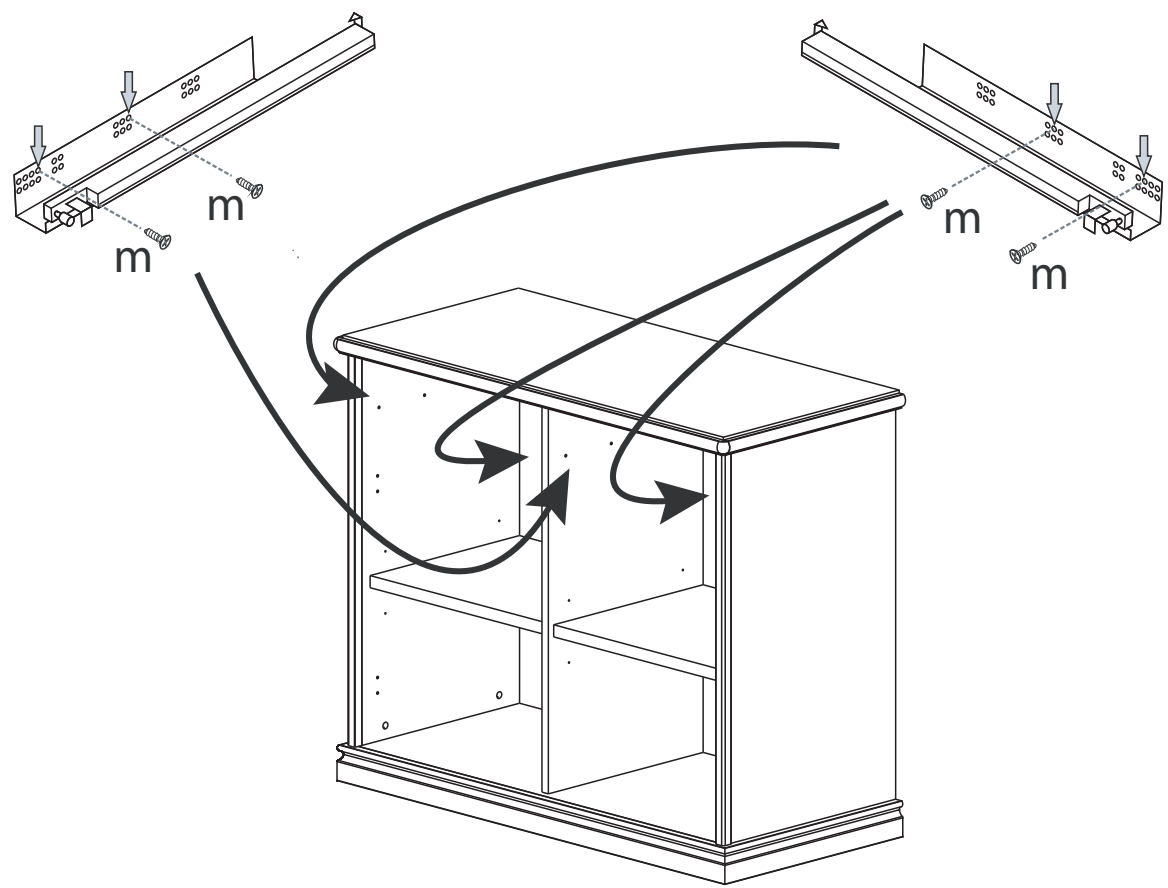
5



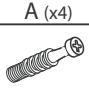
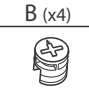


6

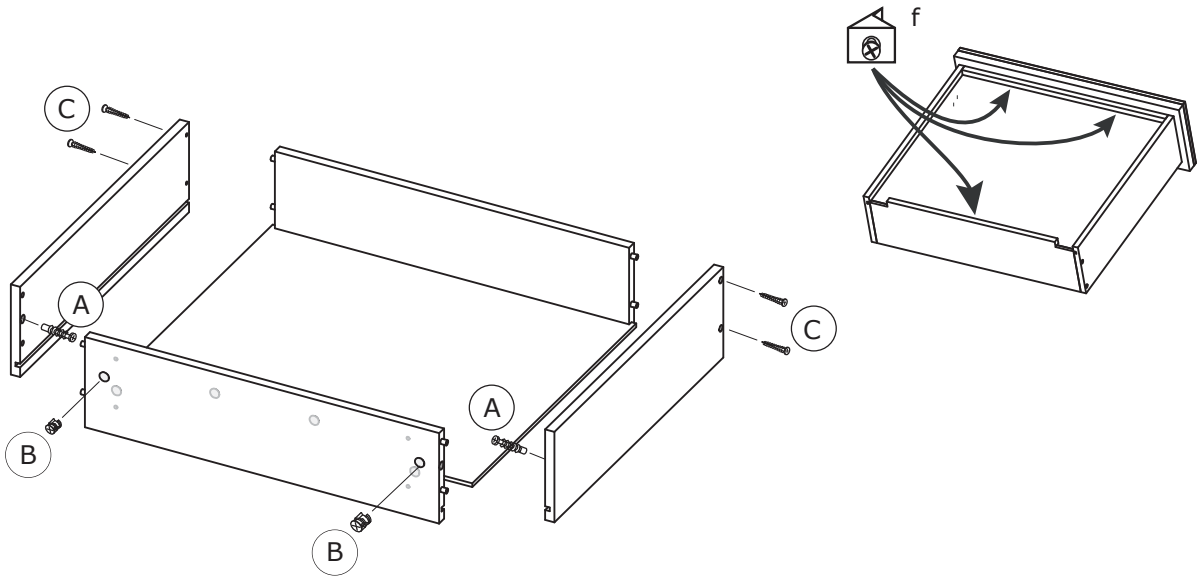


7



8a

- A (x4)

- B (x4)

- C (x8)
ø4x30
30mm

- f




8b

