

camelgroup®

Made In Italy

ITALIER

# TORRIANI - NOSTALGIA - ALTEA

## MODULO INSERIMENTO



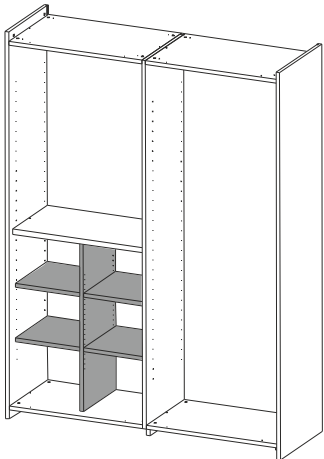
**Please read** this sheet prior to assembly to familiarise yourself with the various stages of construction. Do not destroy any packaging until you are certain that you have all the necessary parts for the assembly.

**The manufacturer reserves the right to alter specifications without prior notice.**

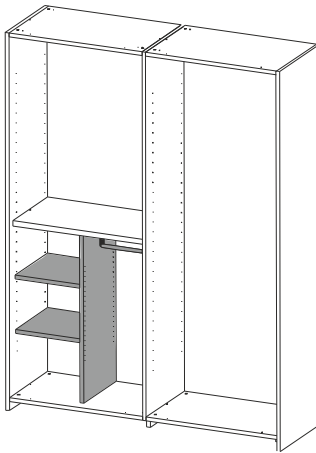
**IMPORTANT NOTES:**

1-Please ensure that packaging is disposed of in a safe environmentally friendly way.

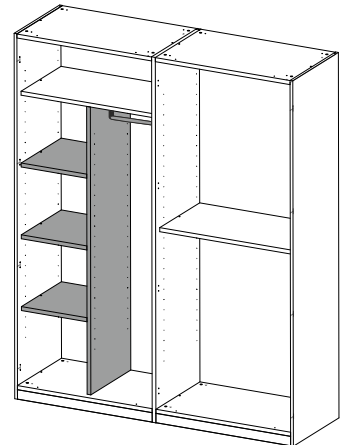
2-There are small components used in the fitting. These loose items must be kept away from young children whilst fitting your furniture.



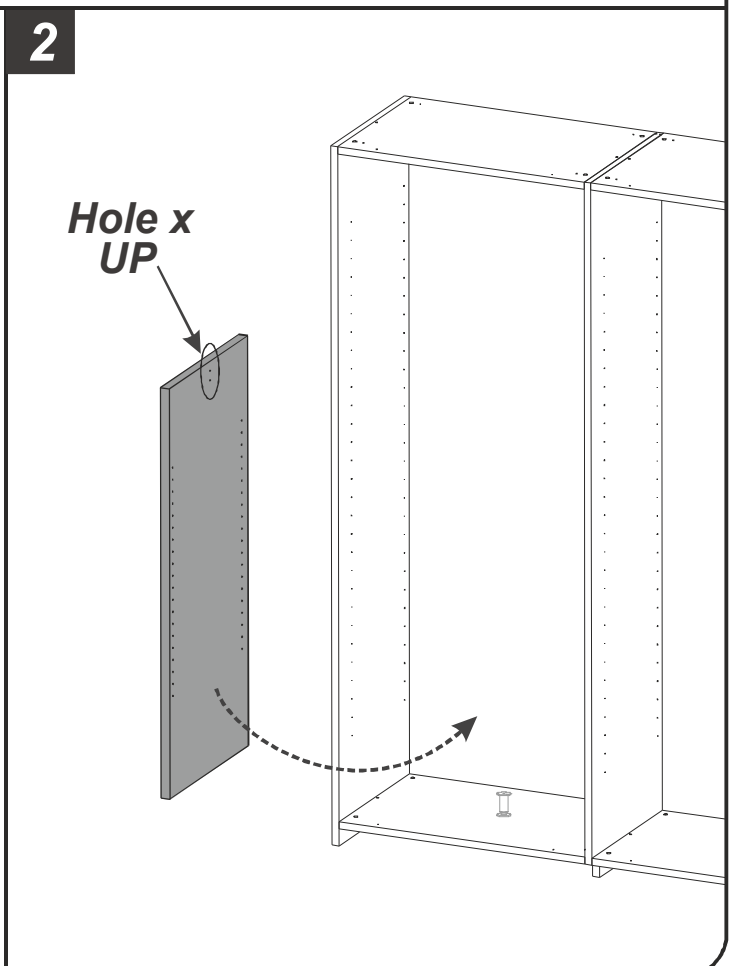
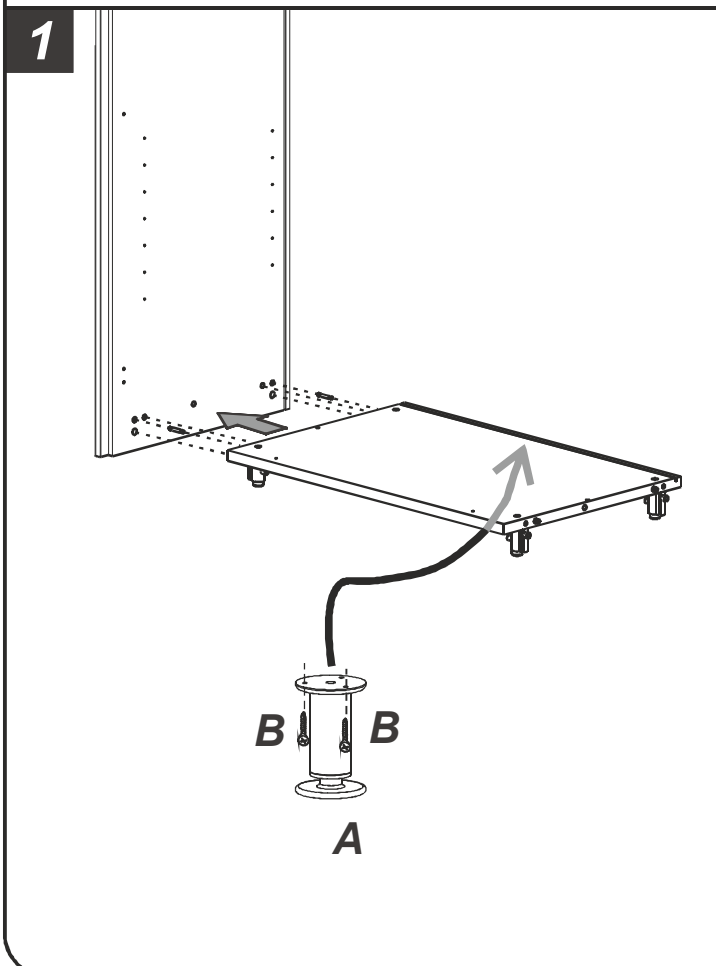
<b>Ax1</b>	<b>Bx3</b>	<b>Cx16</b>
	TSP Ø4x18	with EURO screw



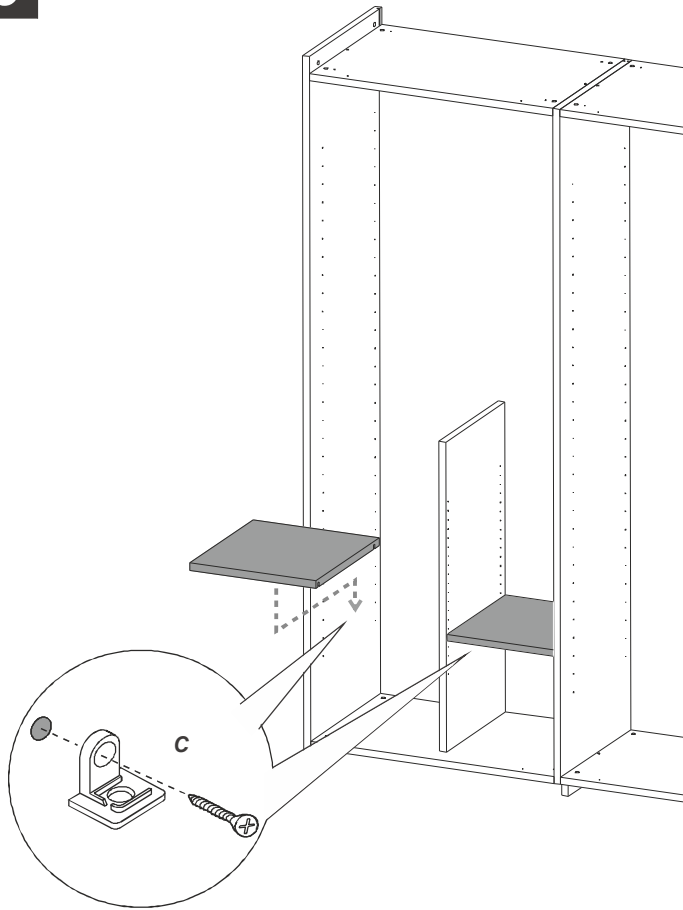
<b>Ax1</b>	<b>Bx7</b>	<b>Cx8</b>	<b>Dx2</b>
	TSP Ø4x18	with EURO screw	



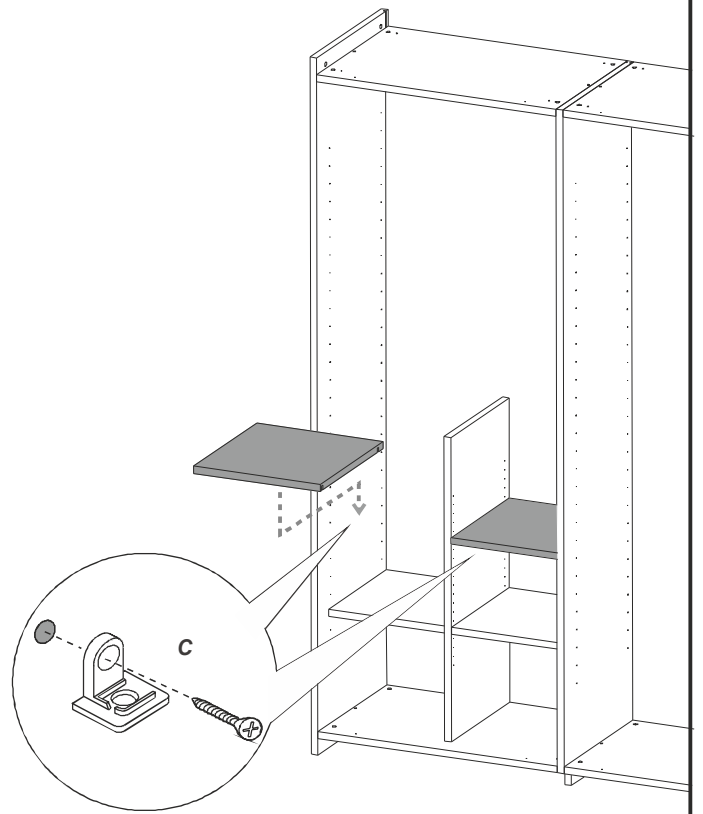
<b>Ax1</b>	<b>Bx7</b>	<b>Cx12</b>	<b>Dx2</b>
	TSP Ø4x18	with EURO screw	



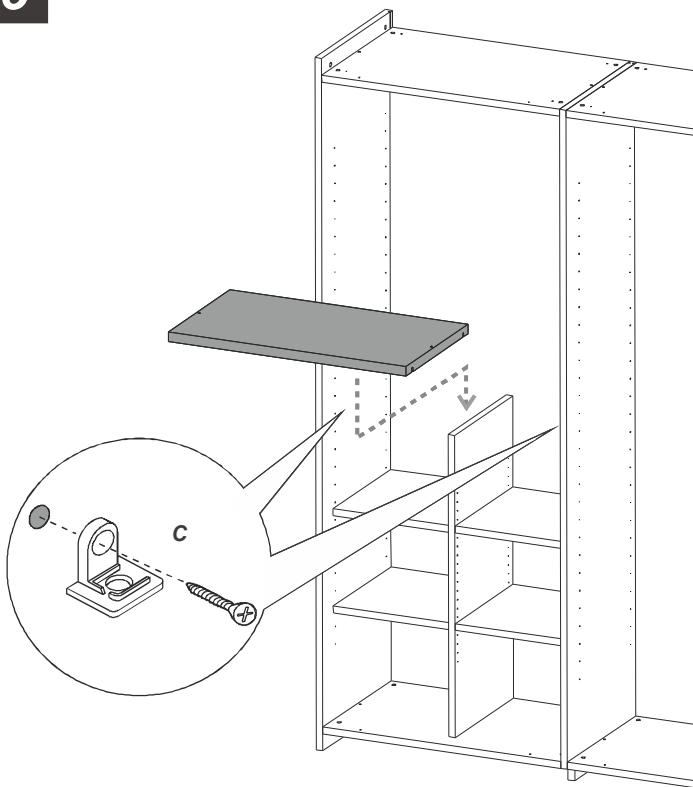
3



4



5



5a

