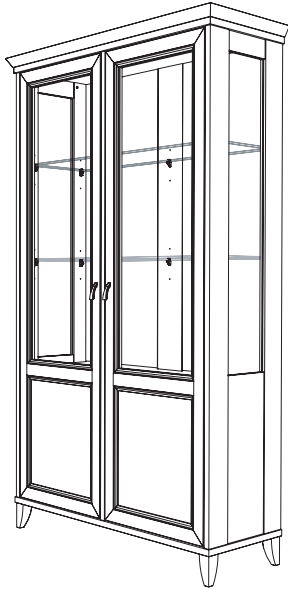
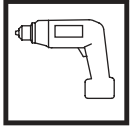
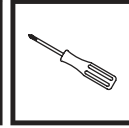


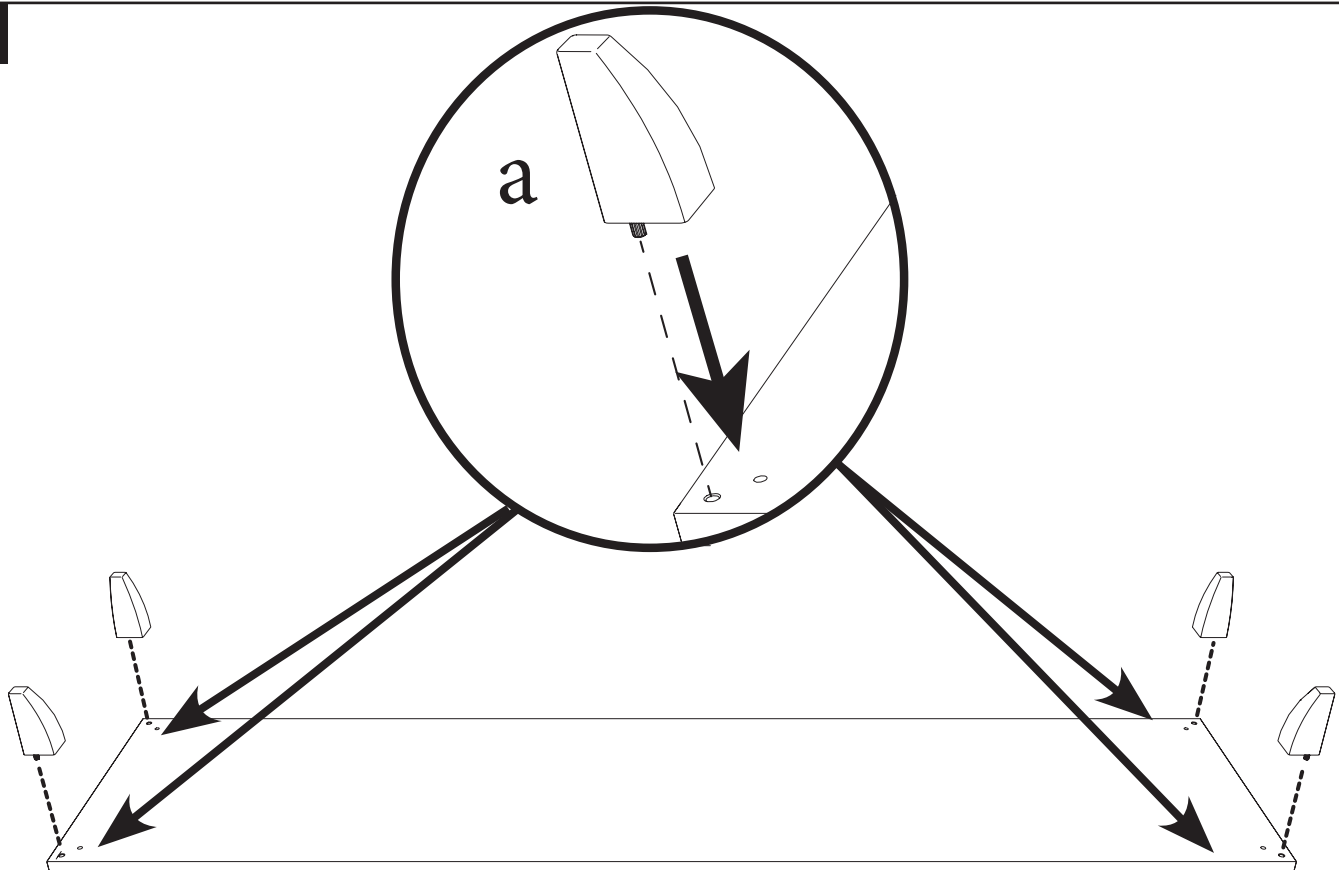
GIOTTO

VETRINA 2 AV

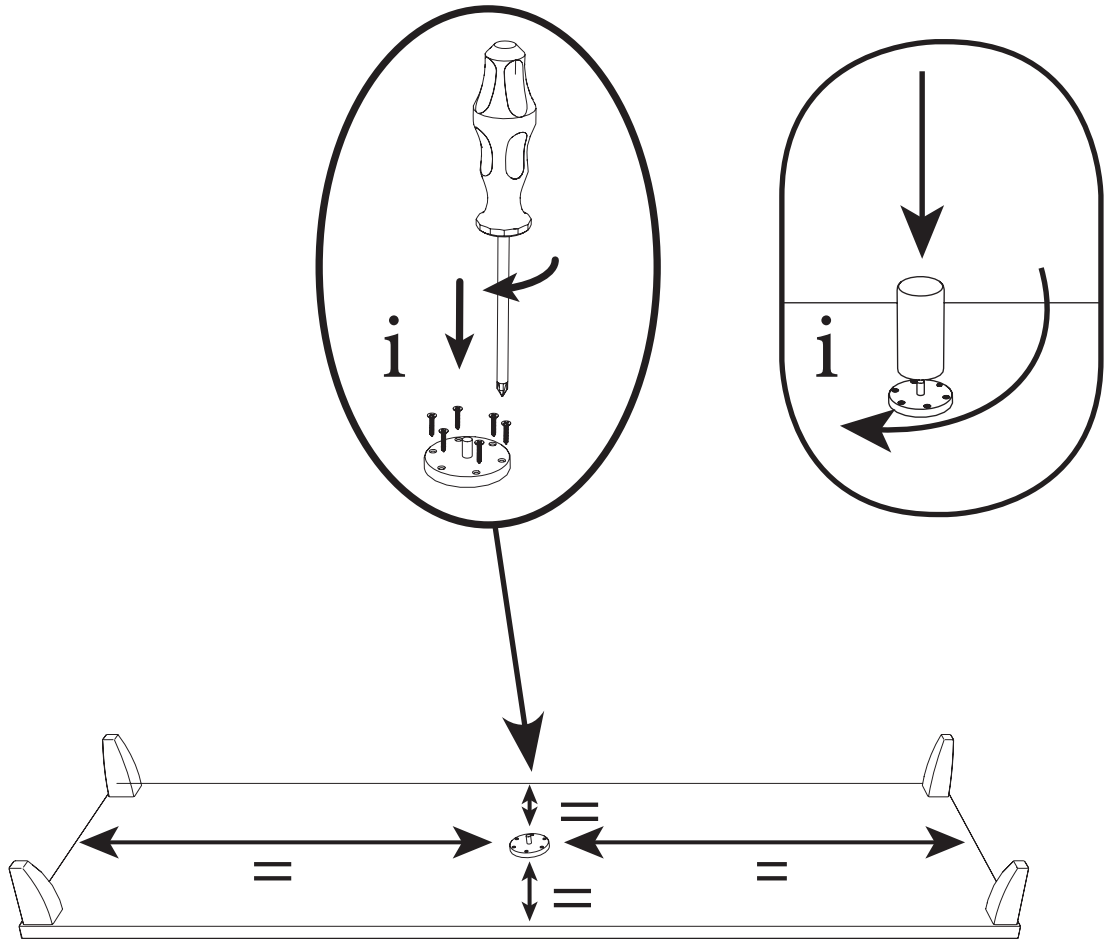


a (x4) SF157CMN.006BA	b (x4) TBL 6MAX40	c (x10) MPARVV012	d (x2)
e (x2)	g (x2) MPM16101	i (x1-2) MPXPZO98	j (x6) col. 17
k (x6) H. 4	l (x12) MPARLL010	o (x24) MPXVAR37	t (x4) MPXFER04
u (x46) TSP 4 X18	w (x1) MPDXXX18	y (x5) MPXVAR19	z (x1)

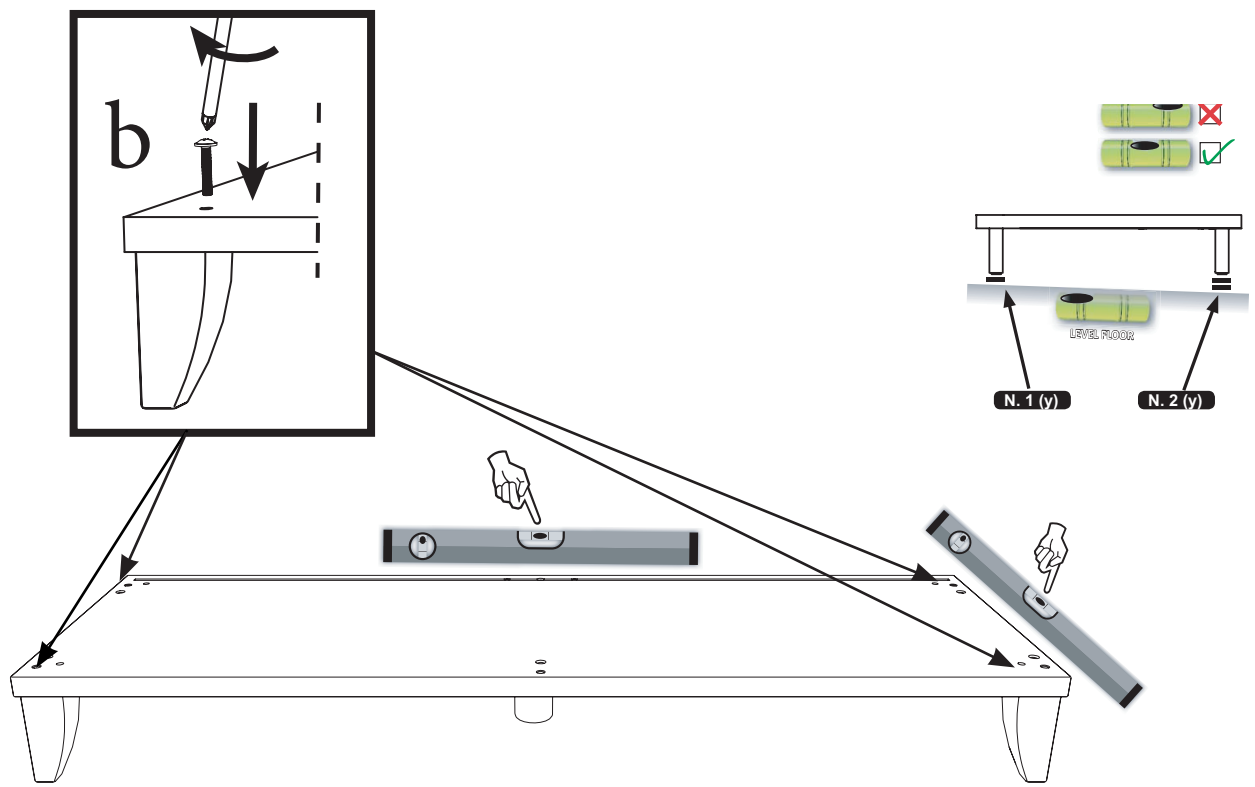
1



2



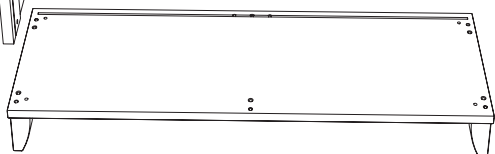
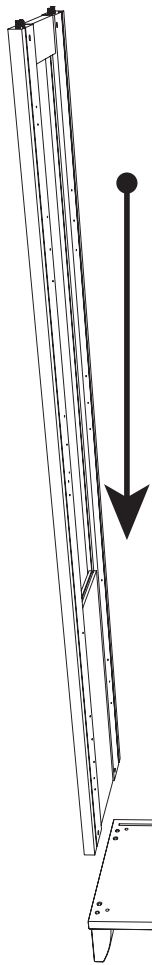
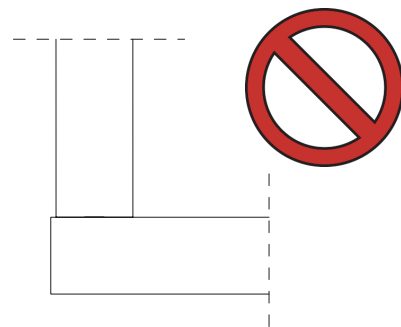
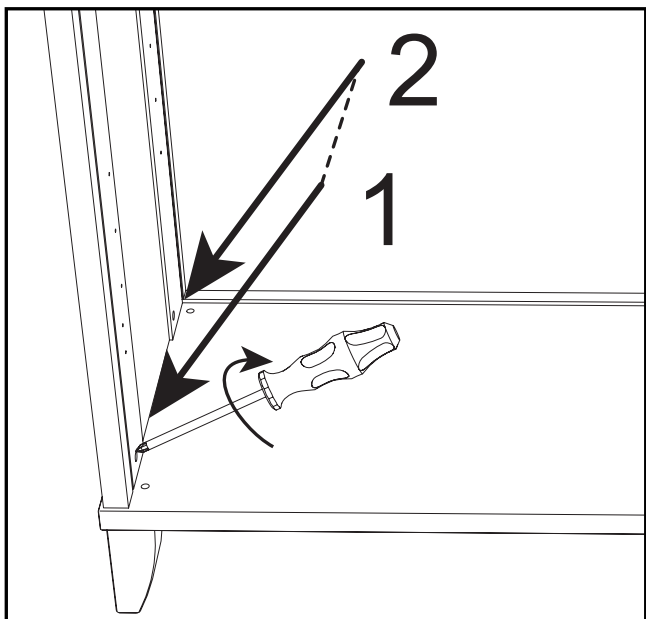
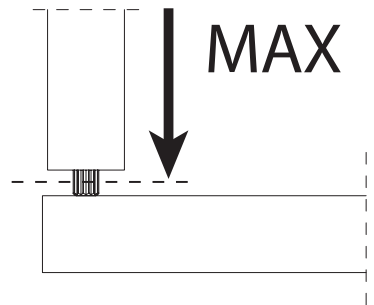
3



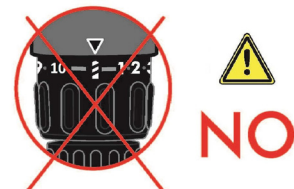
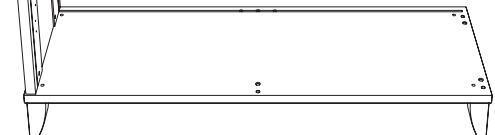
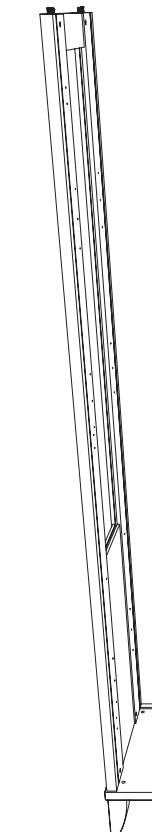
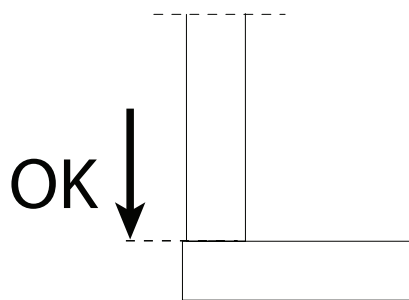
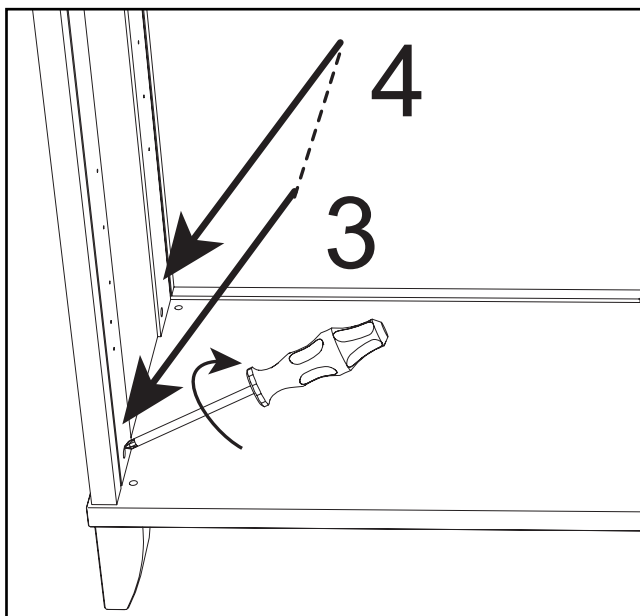
4



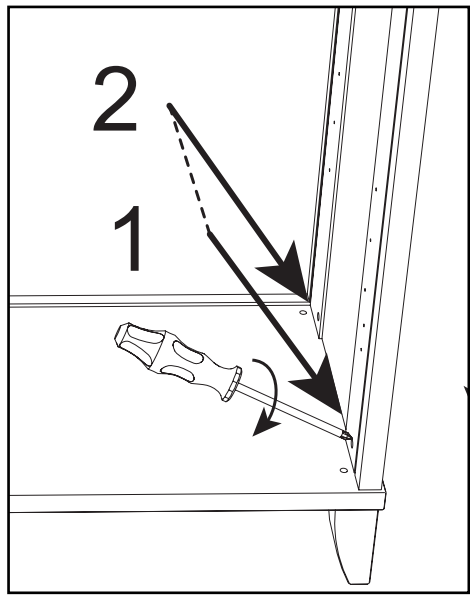
please, do not screw it all in immediately but little by little in sequence!



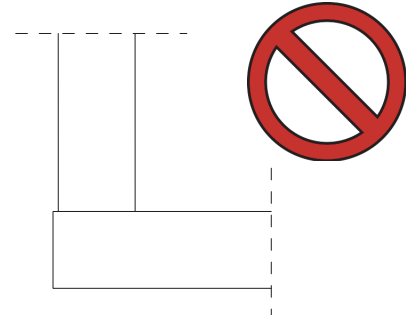
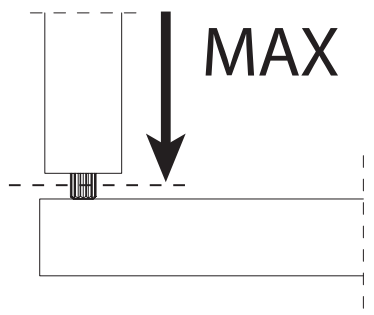
5



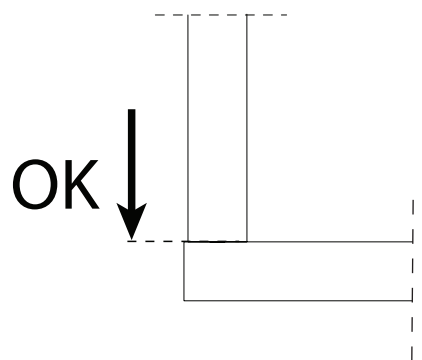
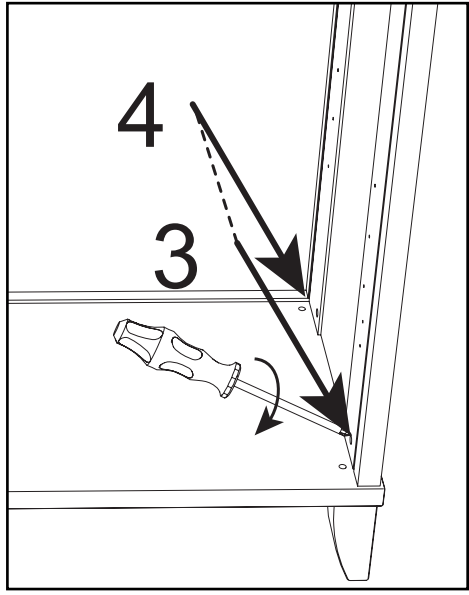
6



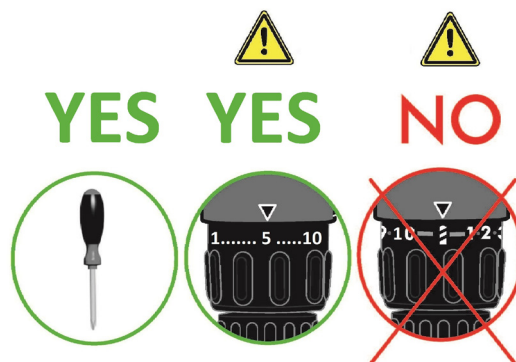
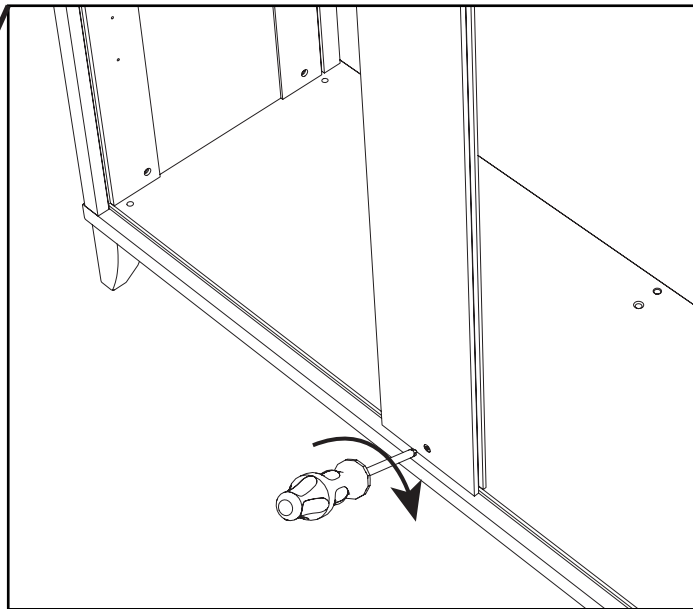
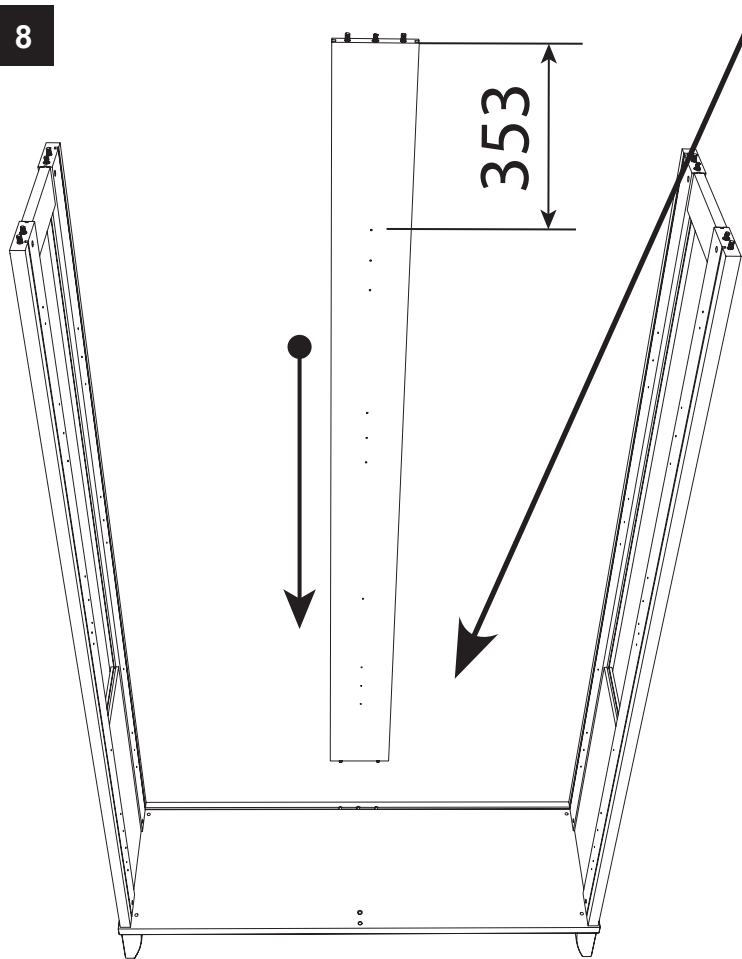
please, do not screw it all in immediately but little by little in sequence!



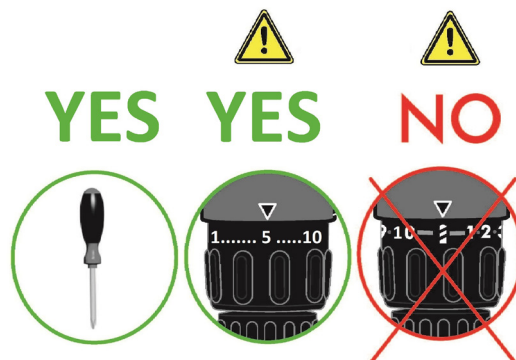
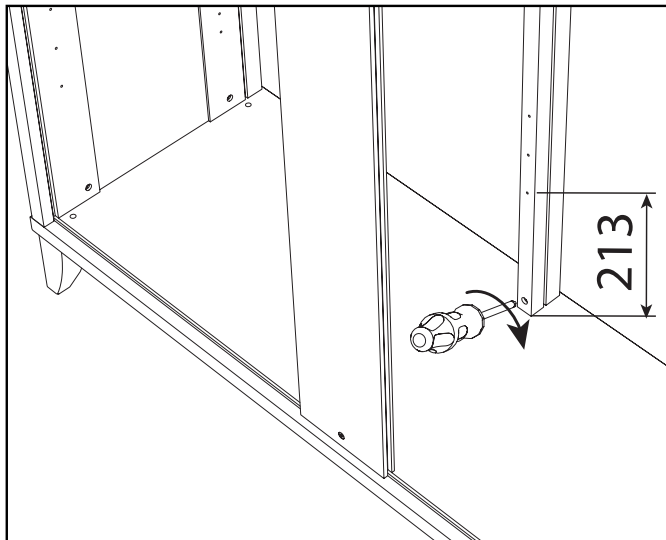
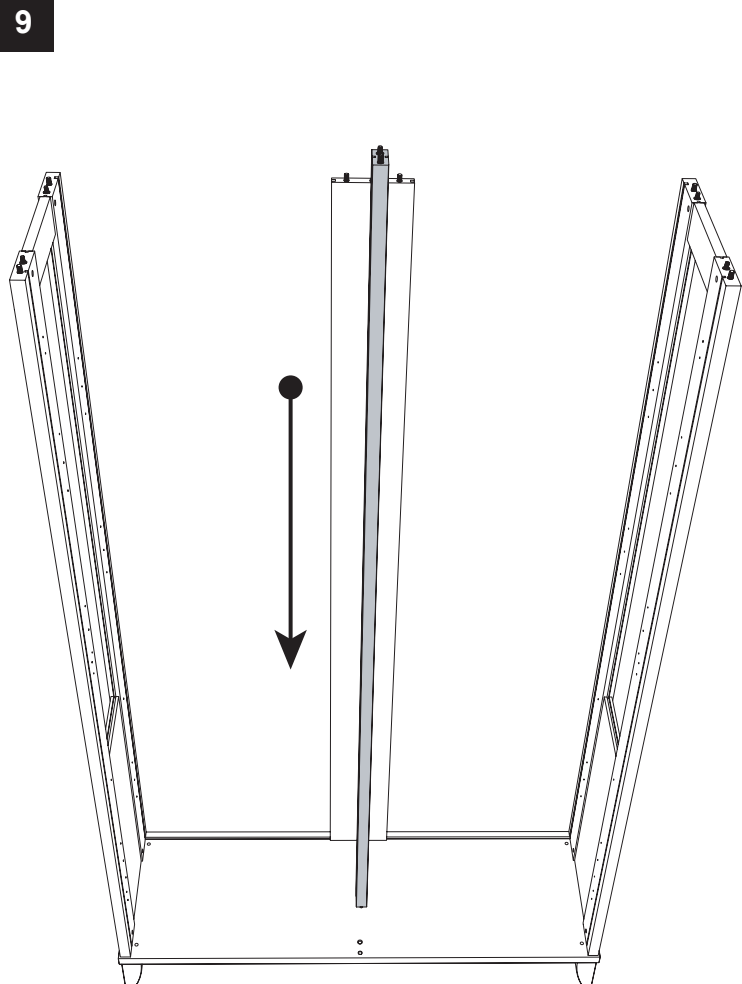
7



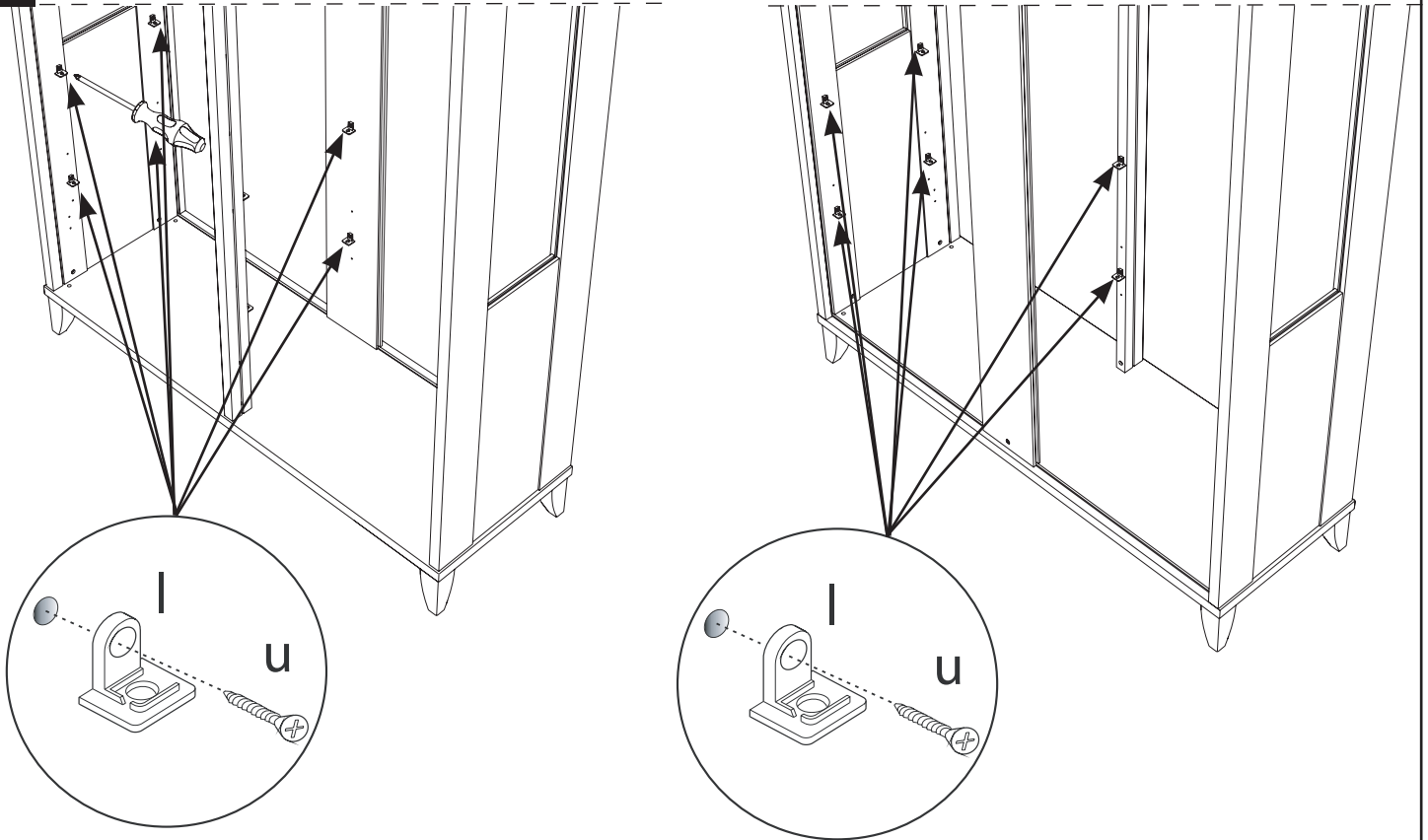
8



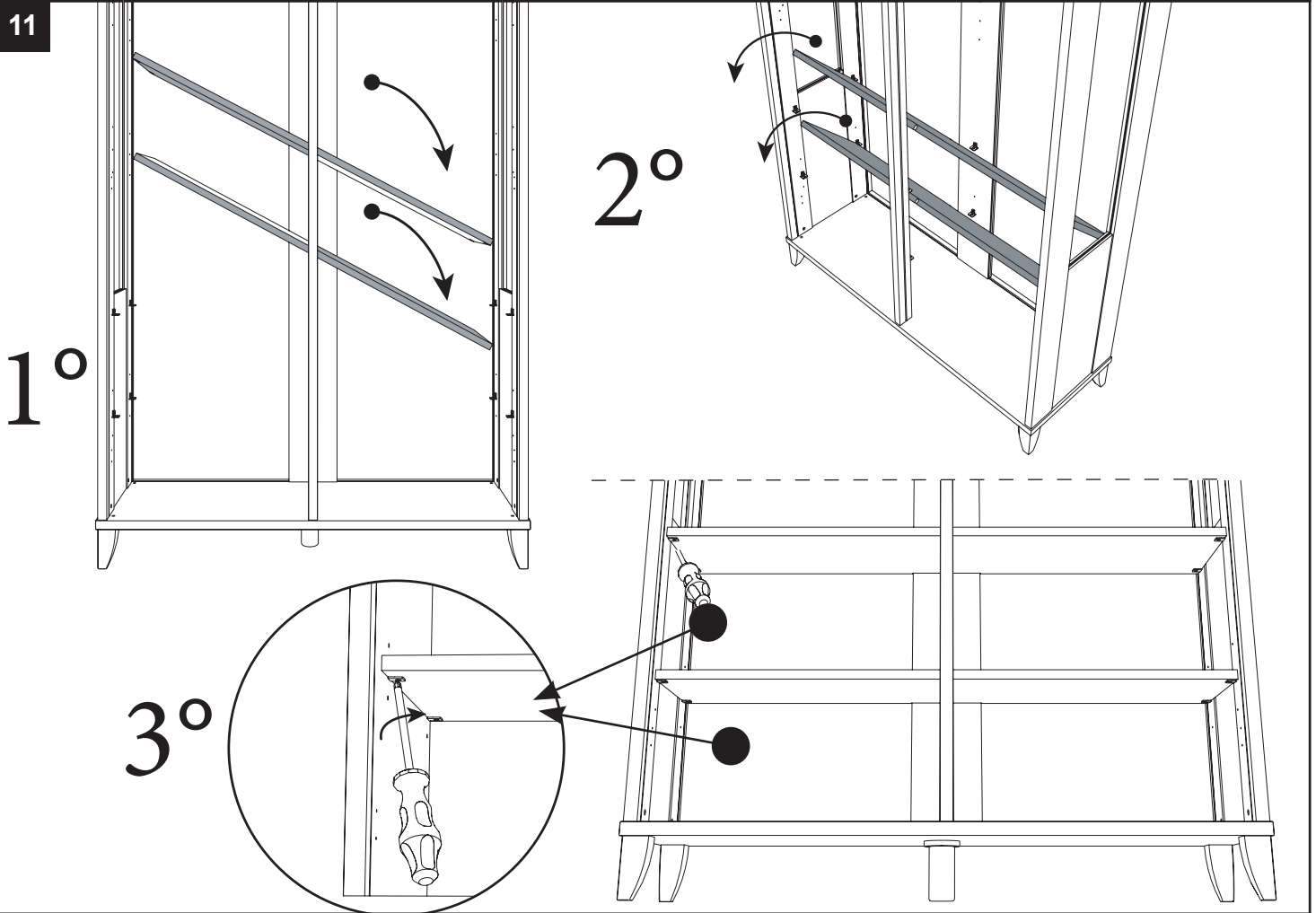
9



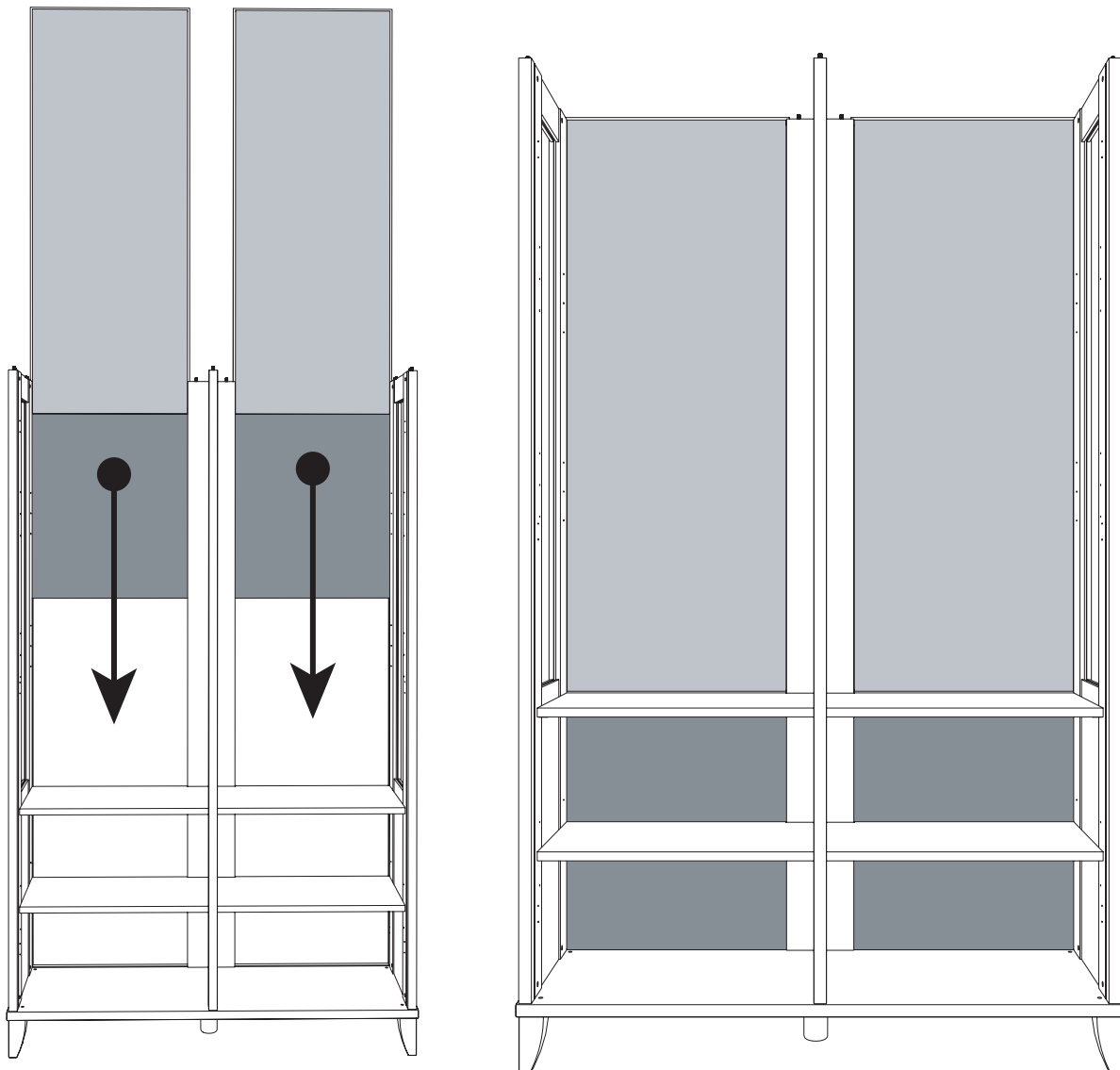
10



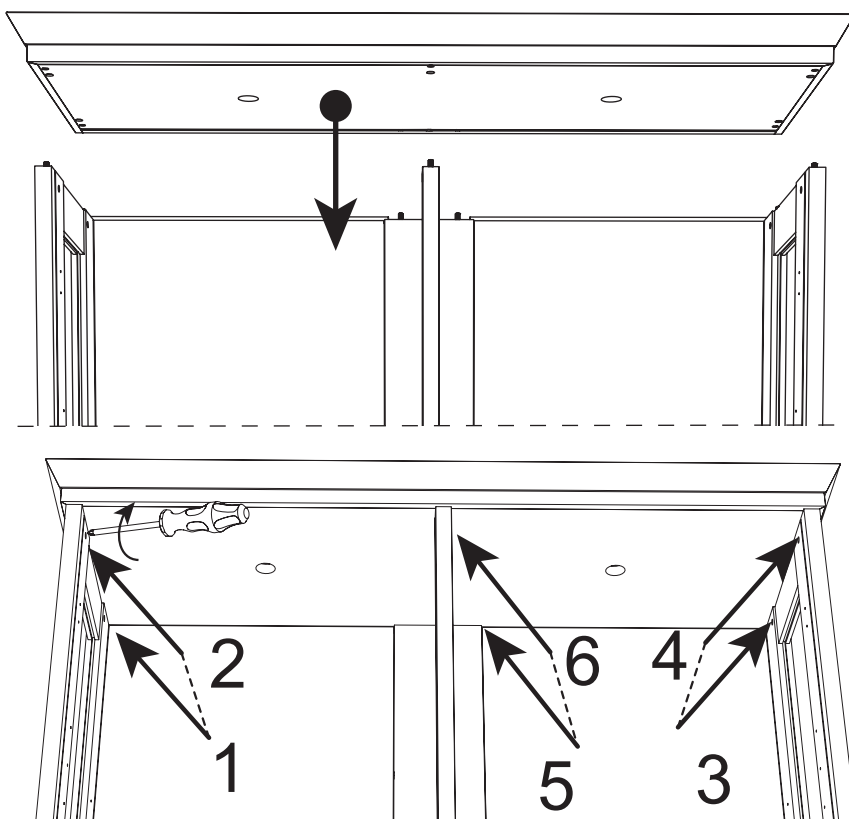
11



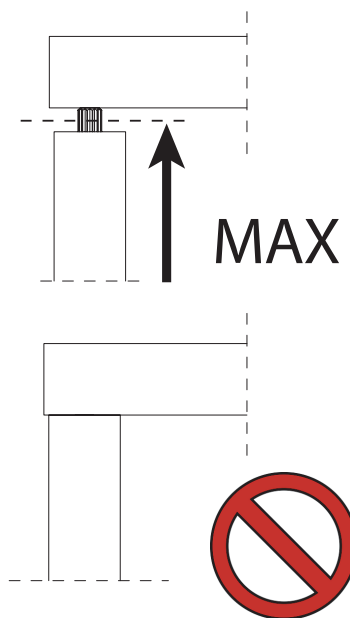
12



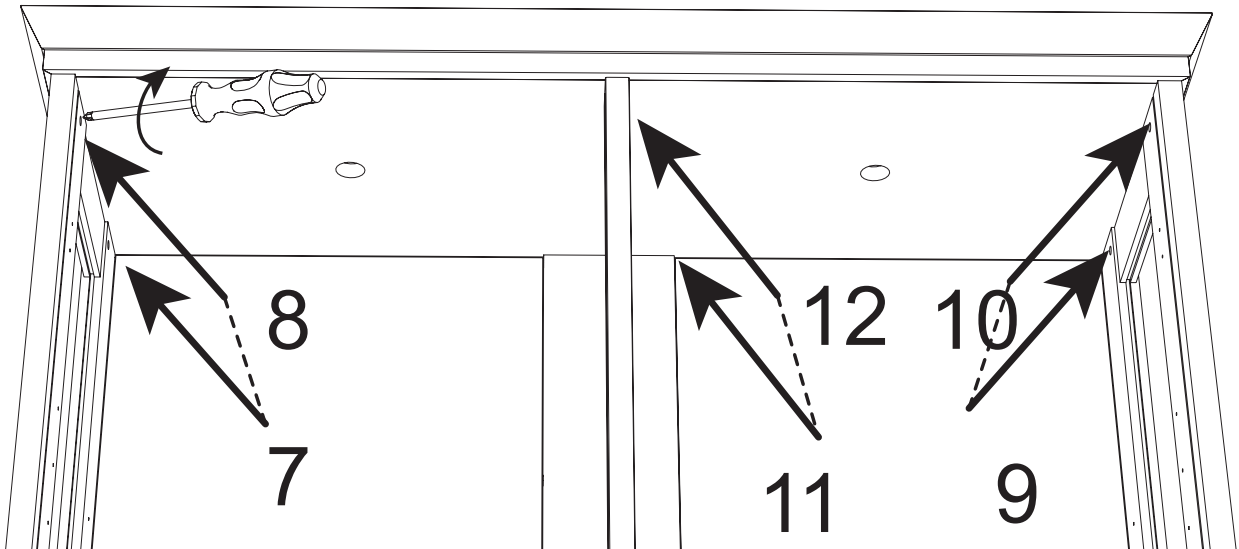
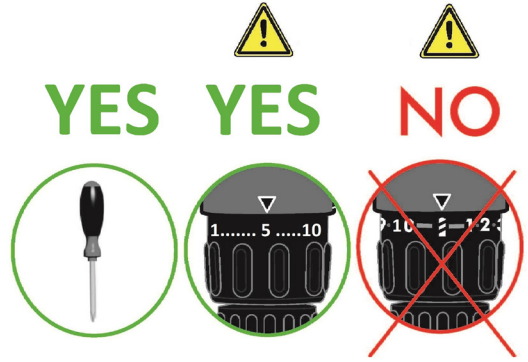
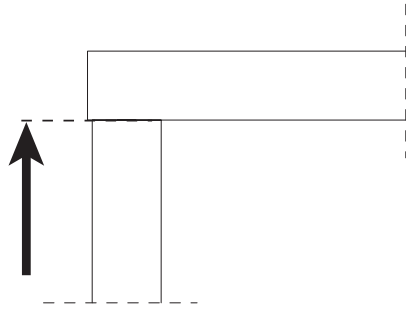
13



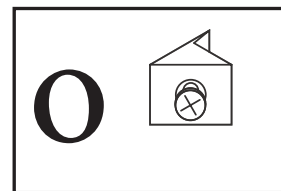
please, do not screw it all in immediately but little by little in sequence!



OK



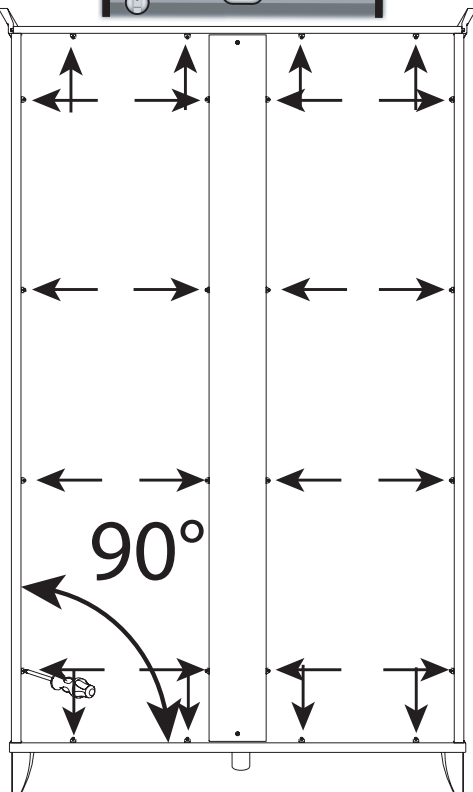
1°



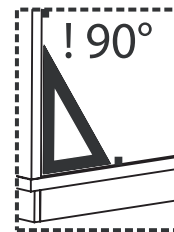
1°



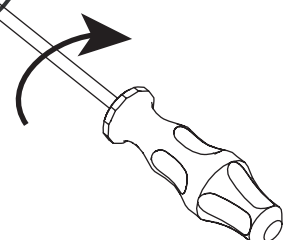
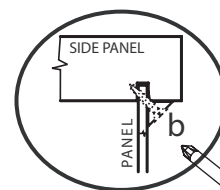
90°

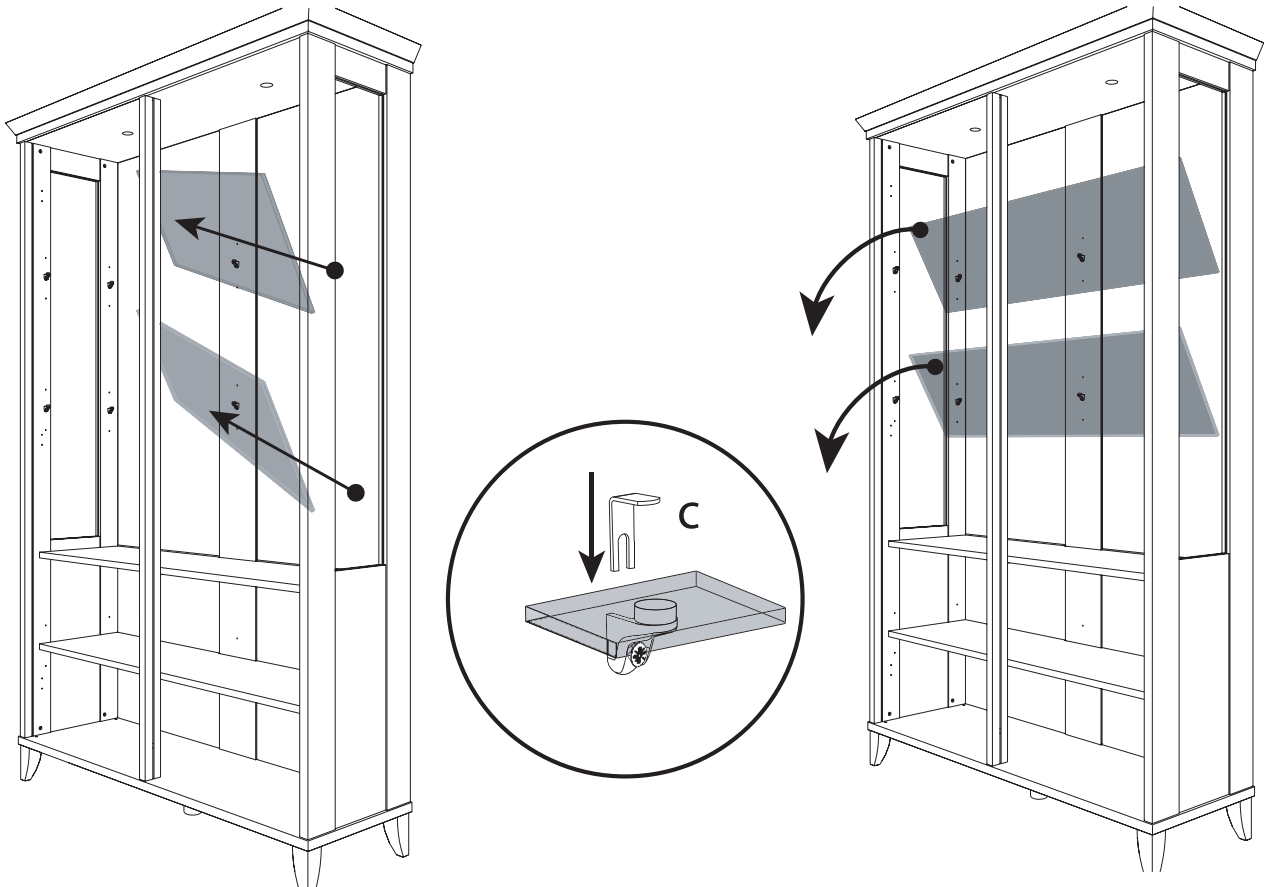
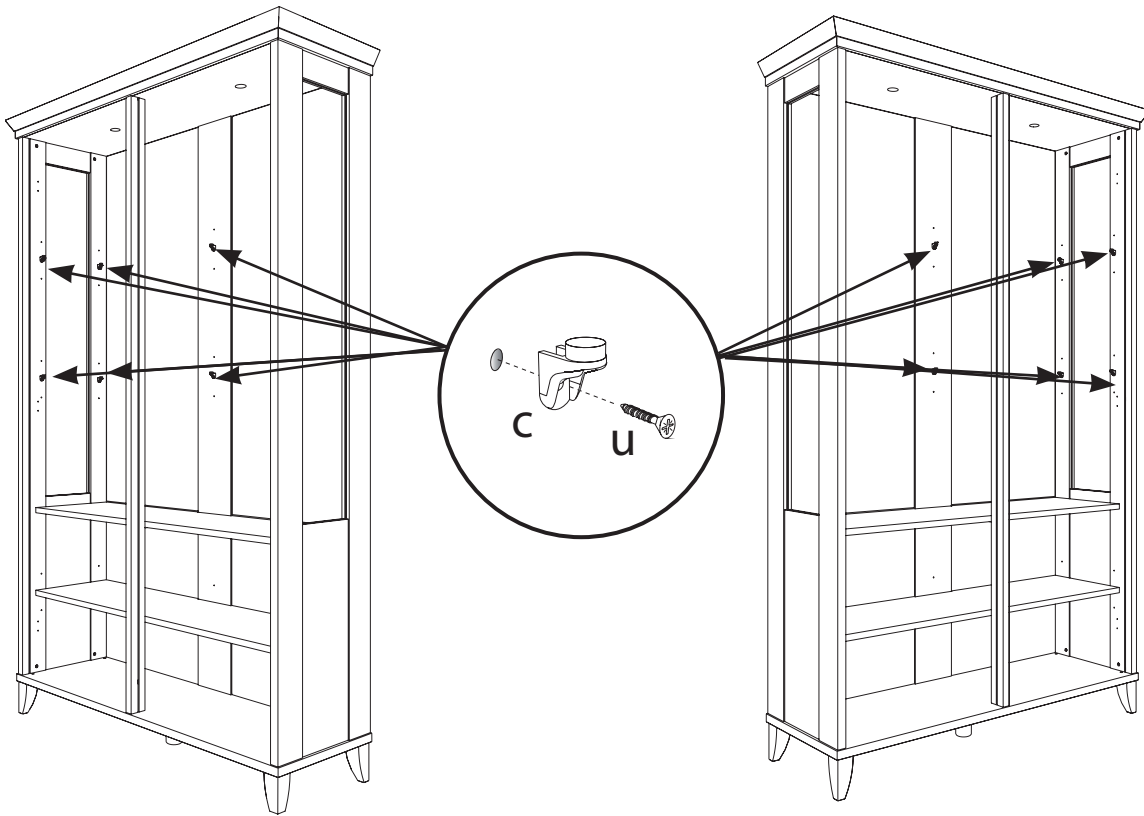


2°

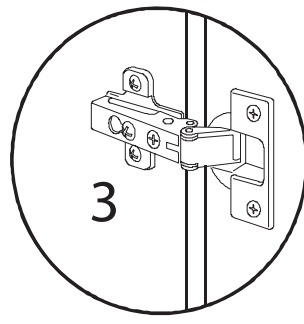
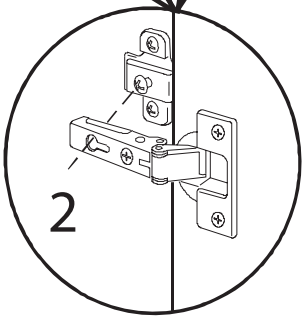
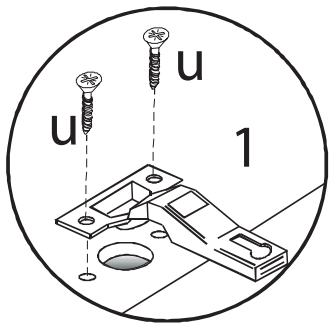
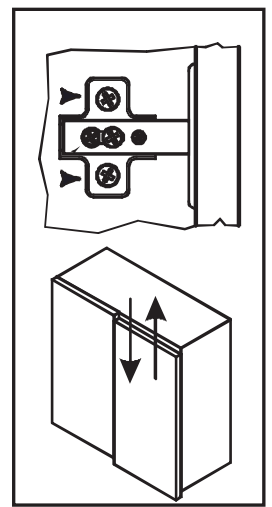
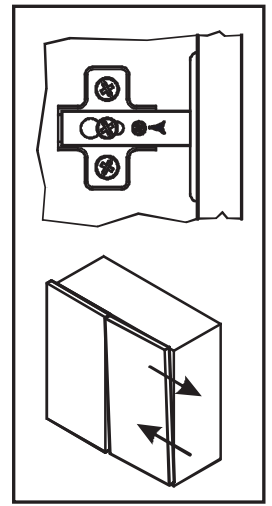
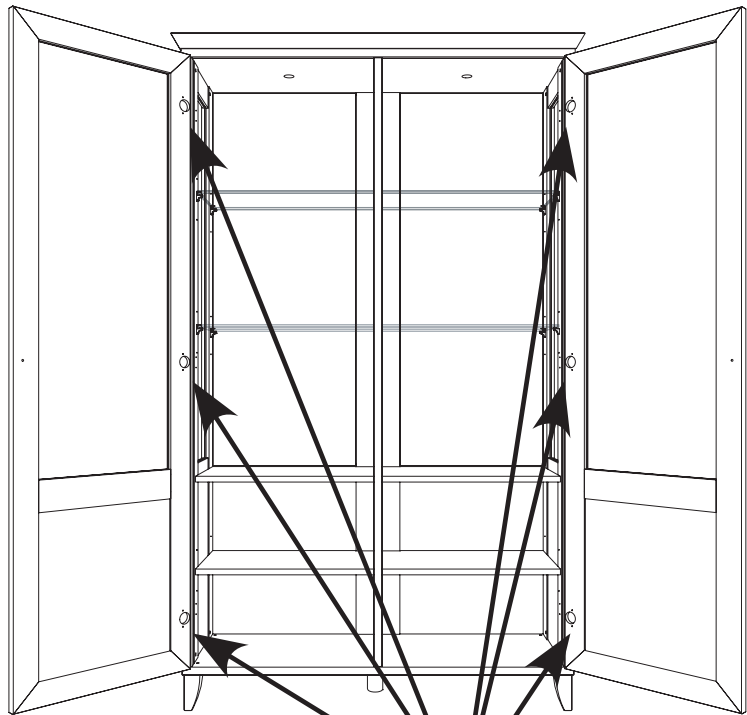


3°

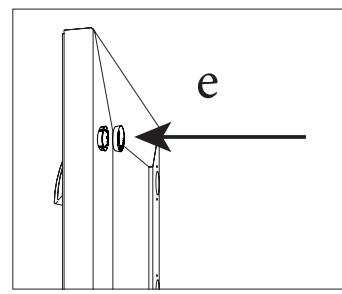
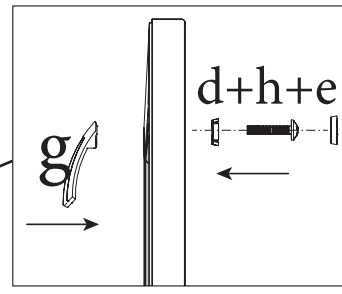
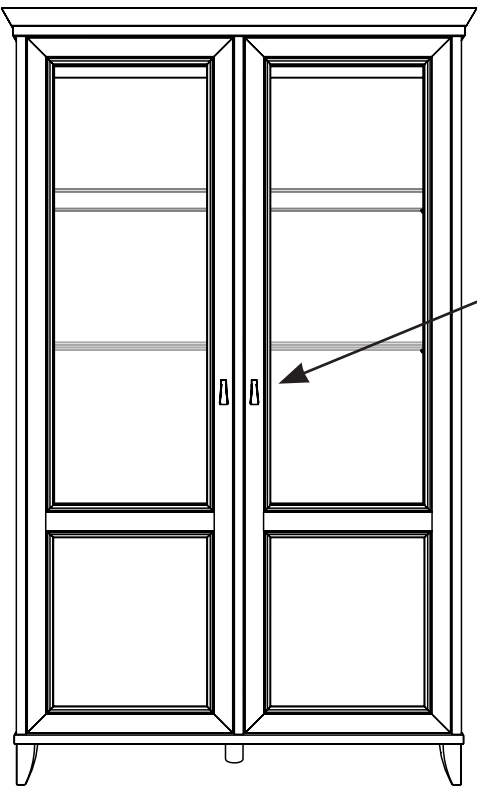




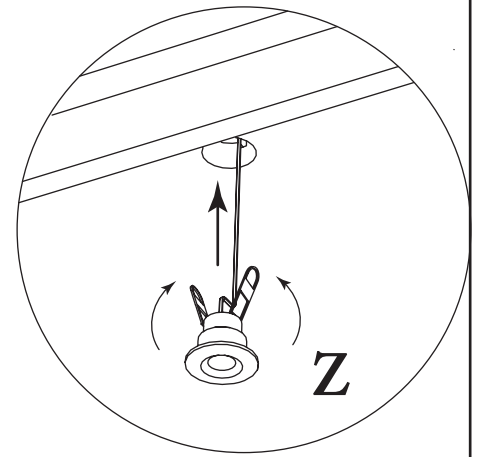
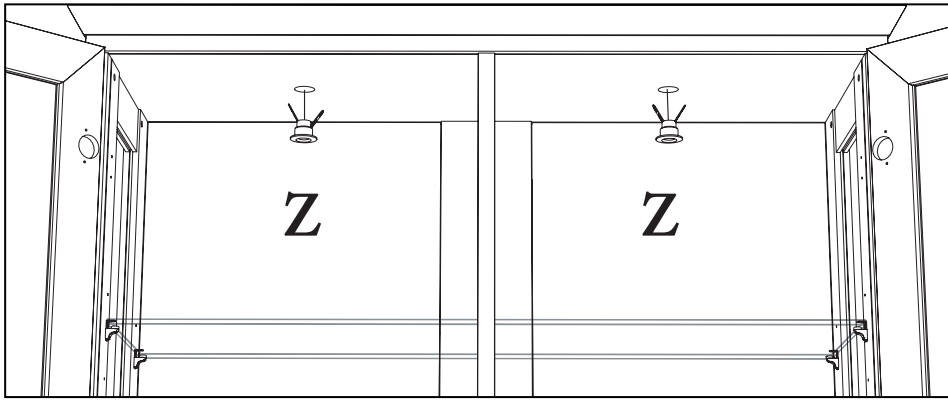
18



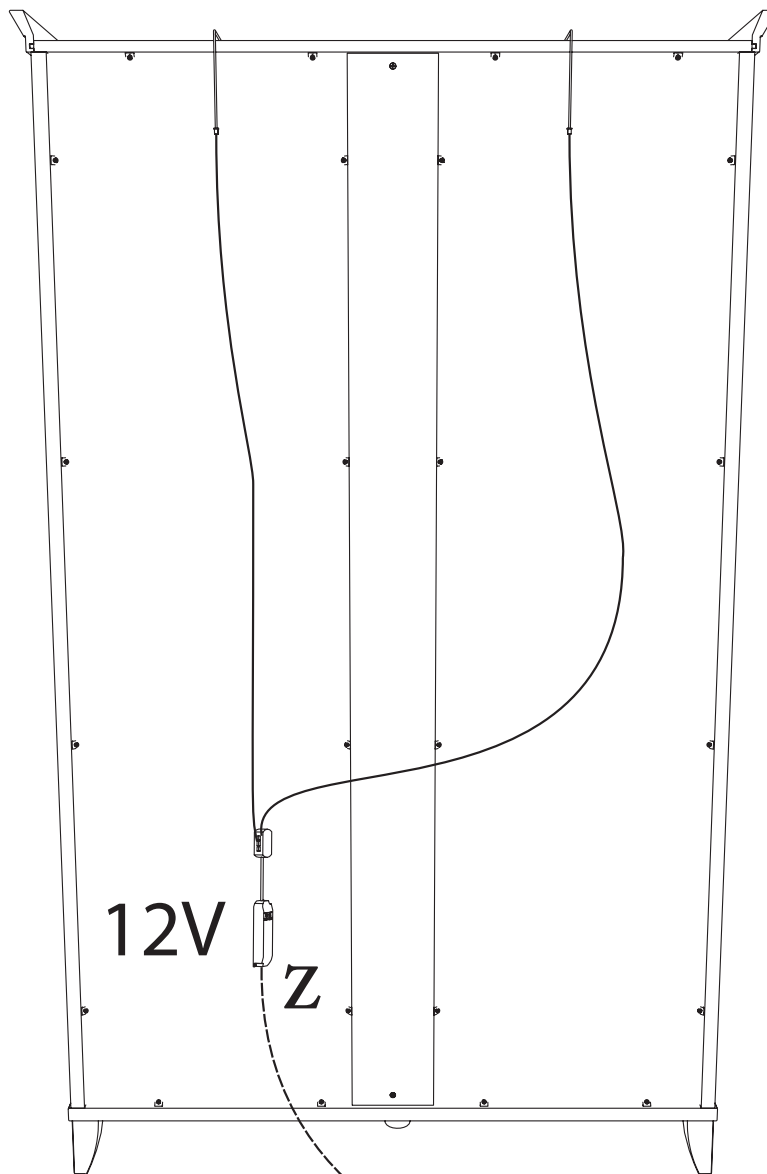
19



20



21



110 / 220V