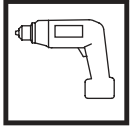
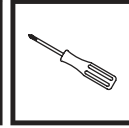


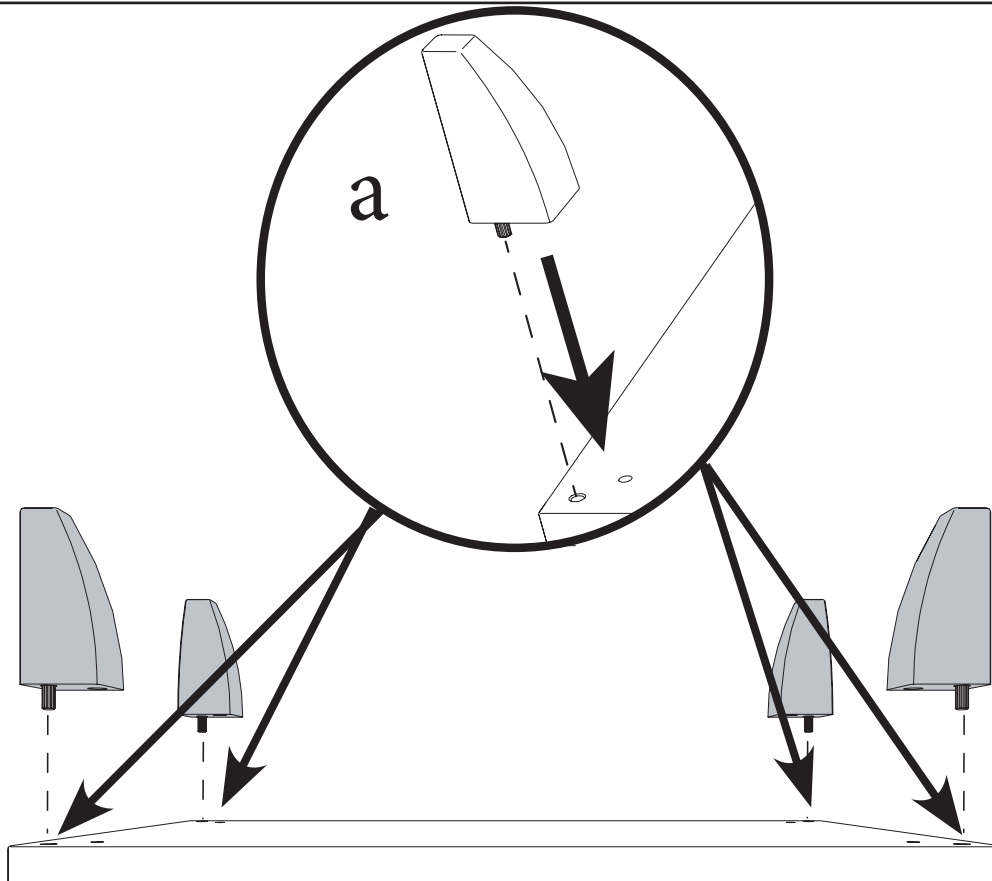
GIOTTO

VETRINA 1 AV

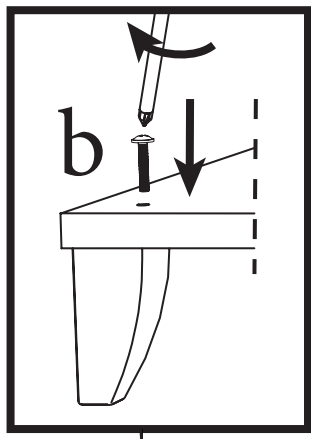


| | | | |
|-------------------------------------|---------------------------------|--------------------------------|---------------------------------|
| a (x4) SF157CMN.006BA | b (x4) TBL 6MAX40 | c (x8) MPARVV012 | d (x1) |
| e (x1) | g (x1) MPM16101 | j (x3) col. 17 | k (x3) H. 4 |
| l (x8) MPARLL010 | o (x10) MPXVAR37 | t (x2) MPXFER04 | u (x28) TSP 4 X18 |
| w (x1) MPDXXX18 | y (x4) MPXVAR19 | z (x1) | |

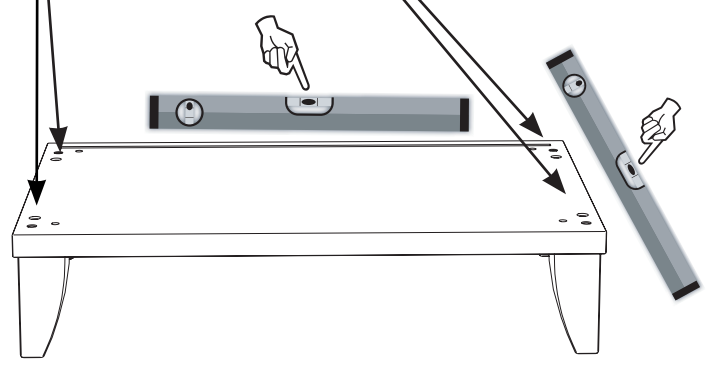
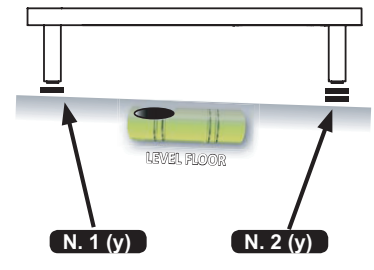
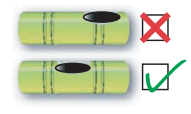
1



2



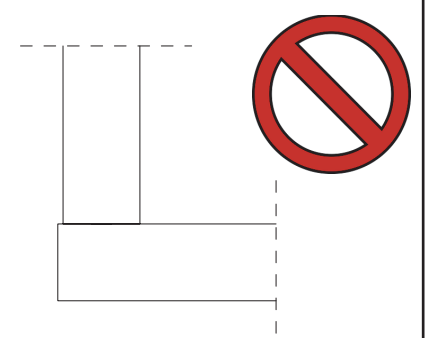
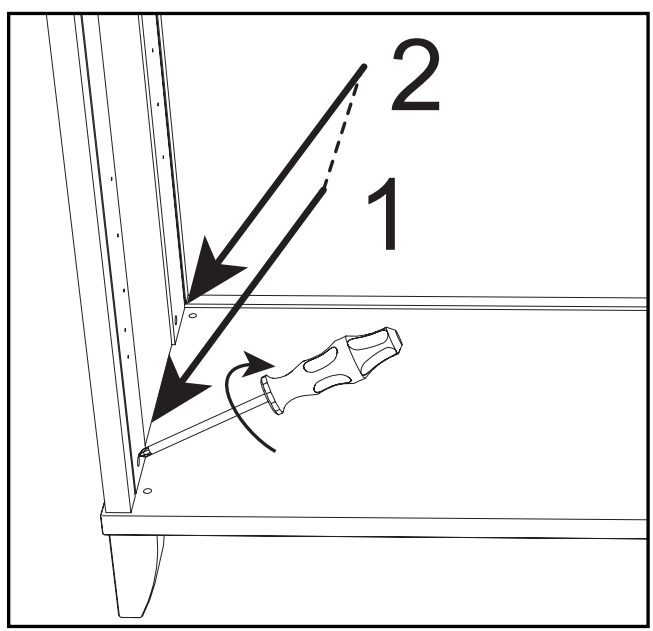
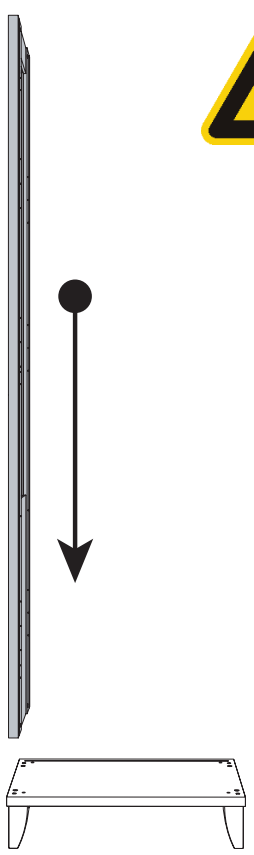
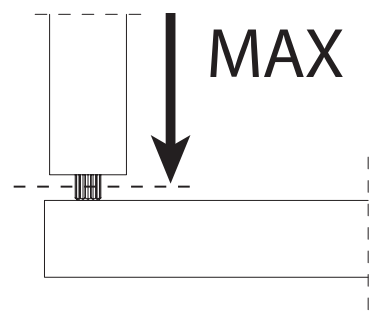
LEVELING TIPS



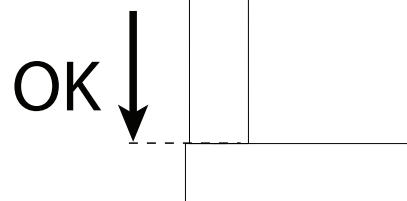
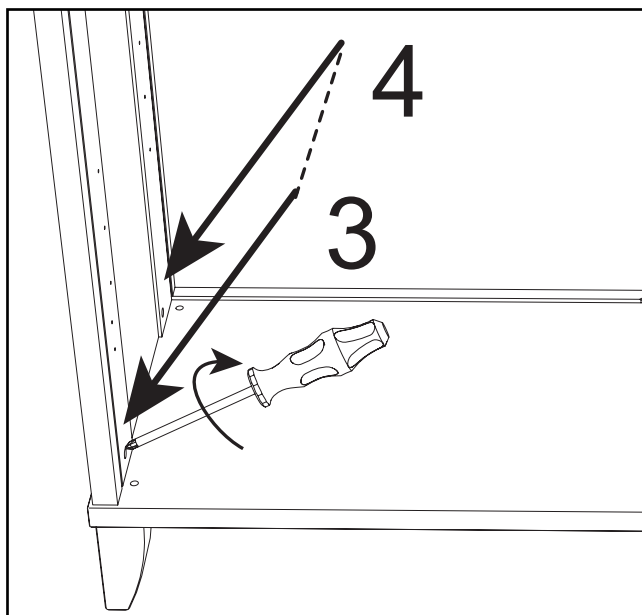
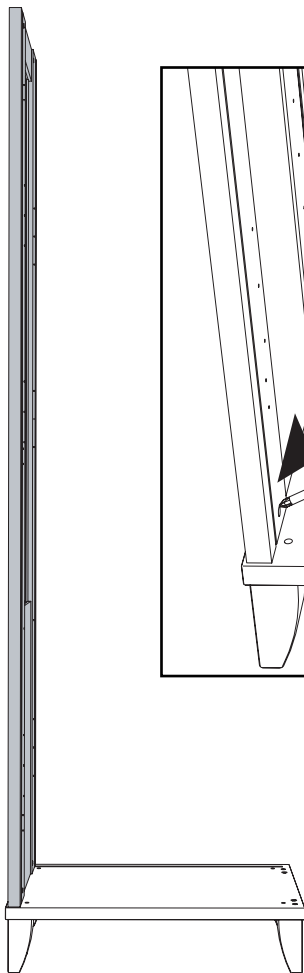
3



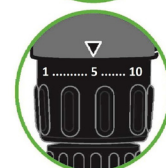
please, do not
screw it all in
immediately but
little by little in
sequence!



4



YES

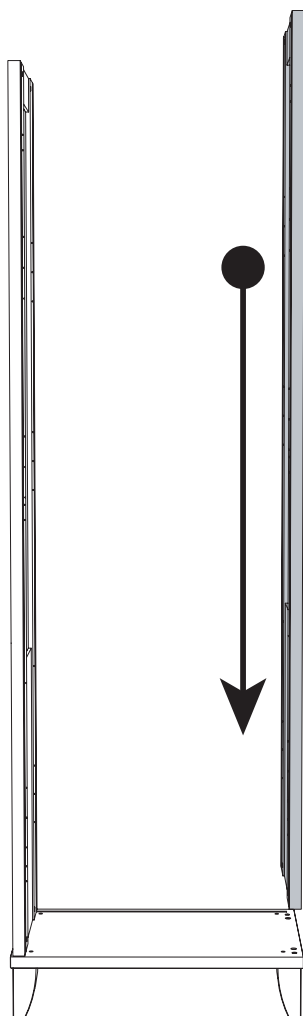


YES

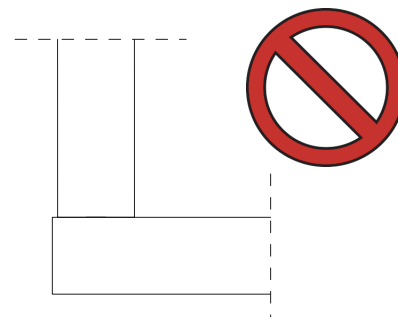
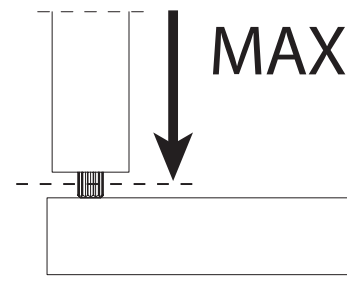
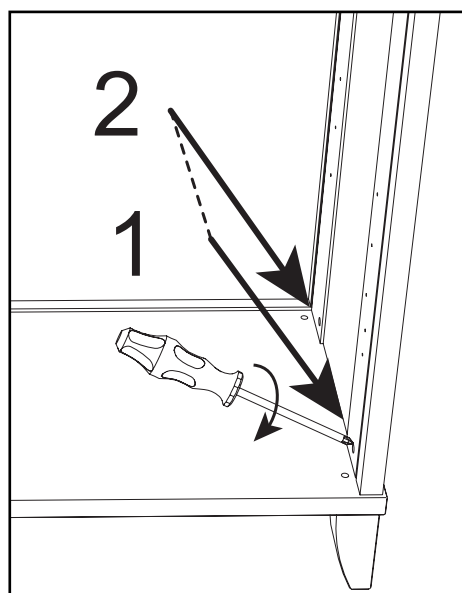


NO

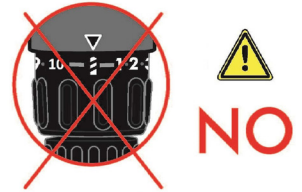
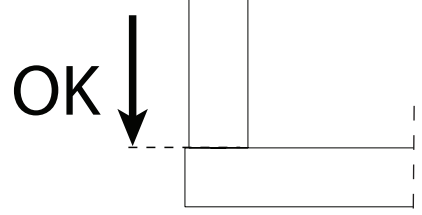
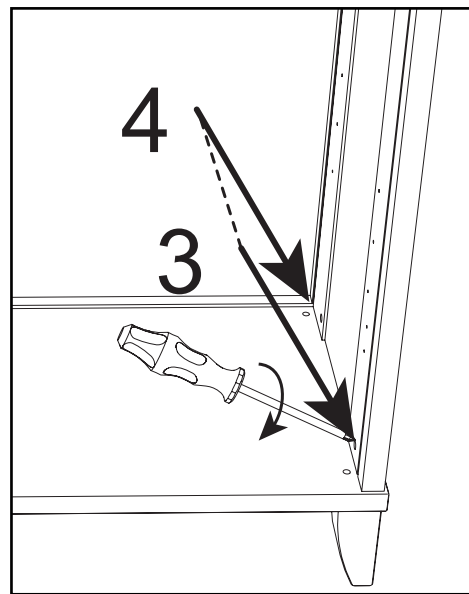
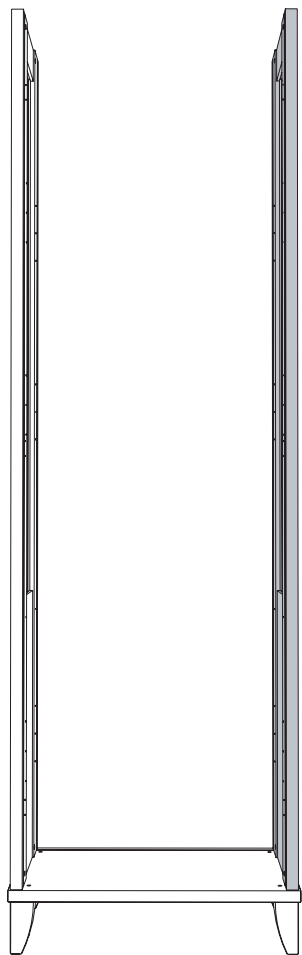
5



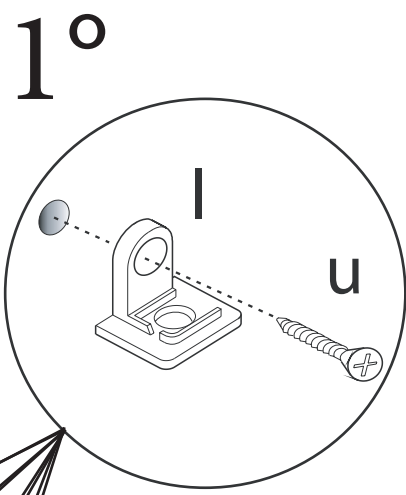
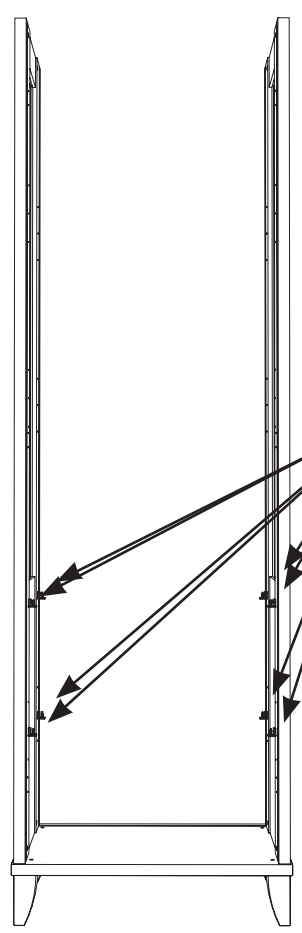
please, do not
screw it all in
immediately but
little by little in
sequence!



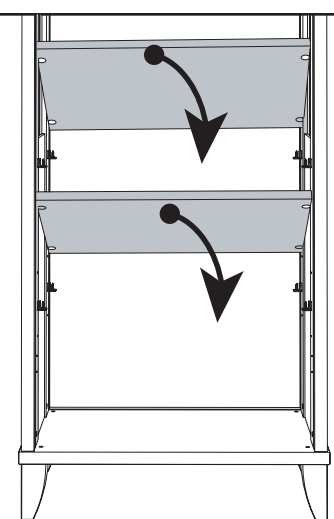
6



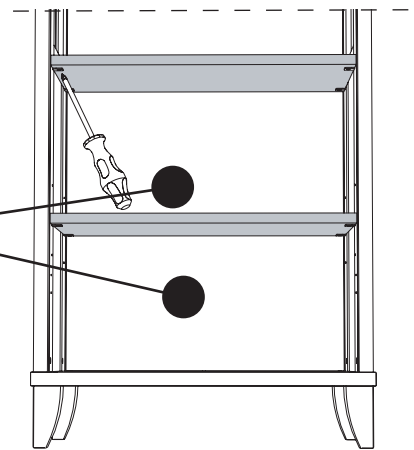
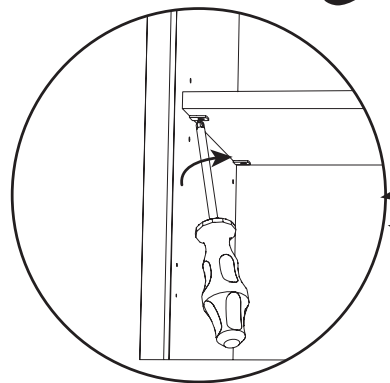
7

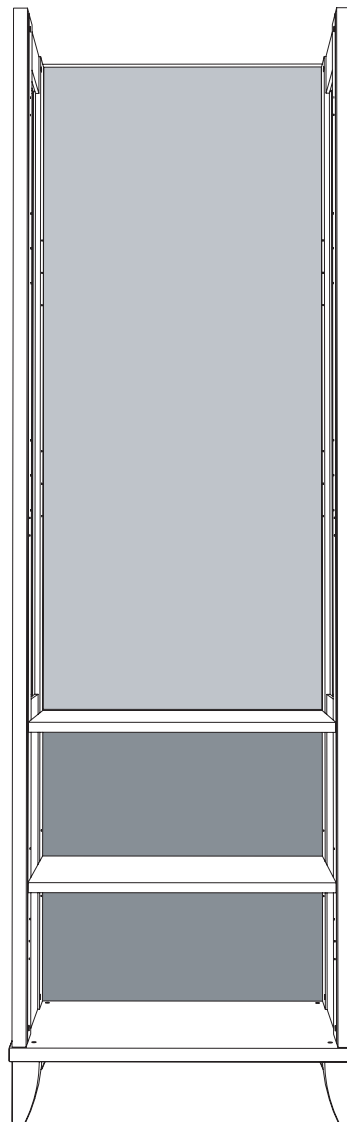
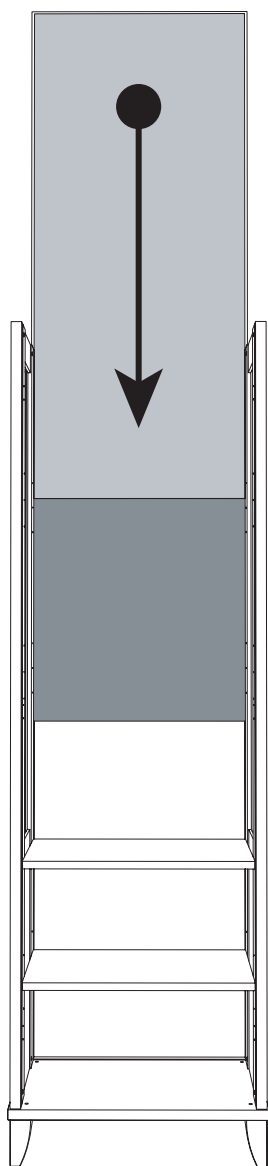


2°

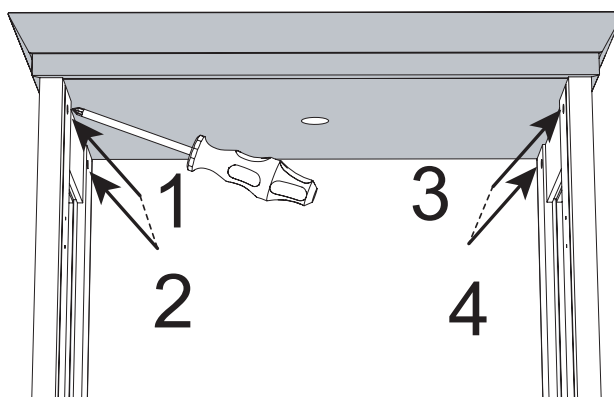
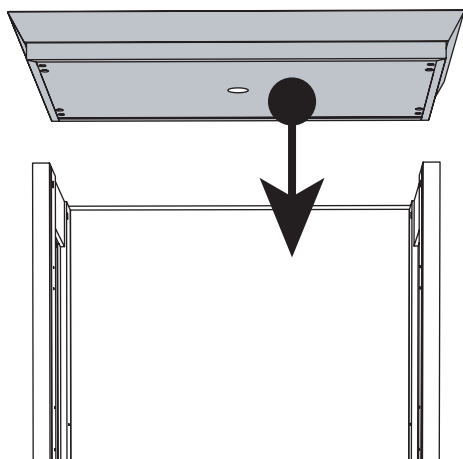
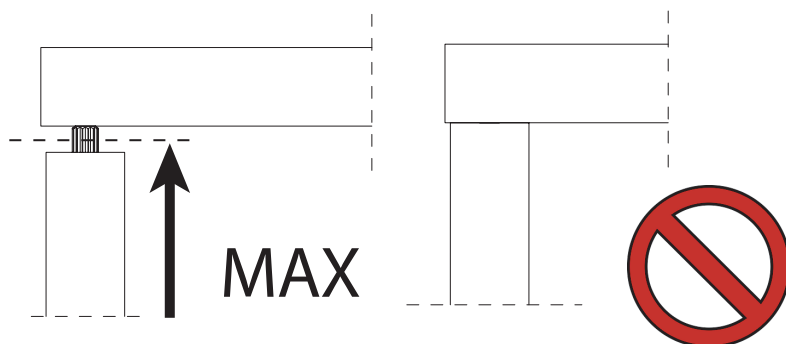


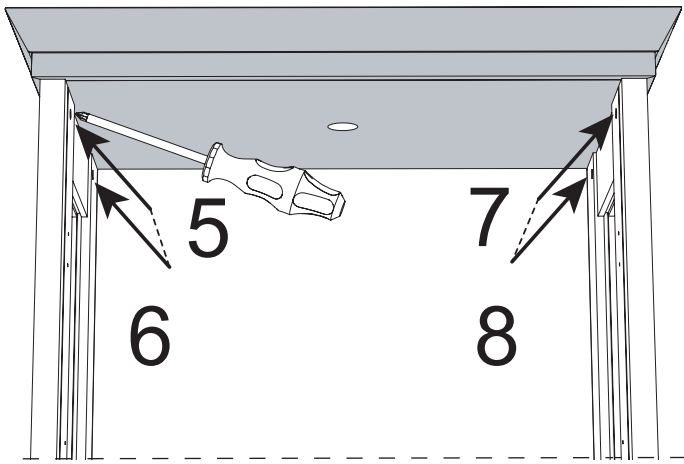
3°



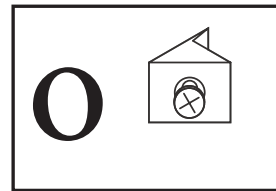
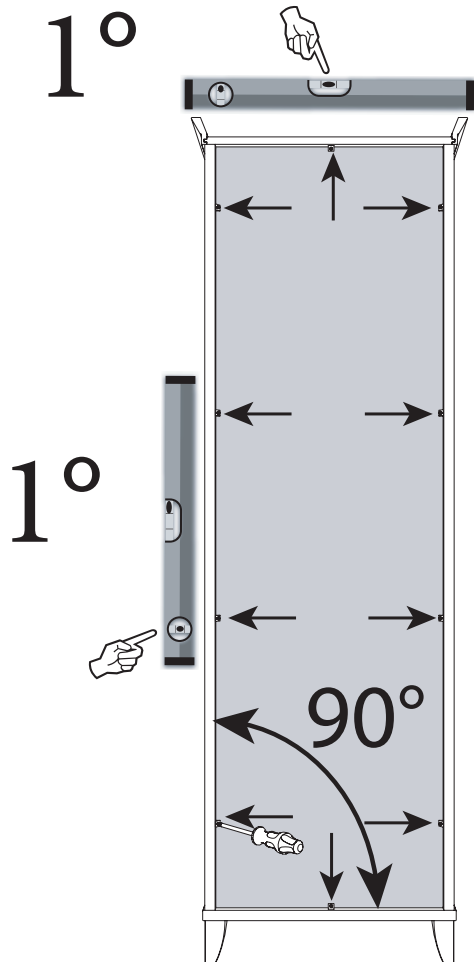
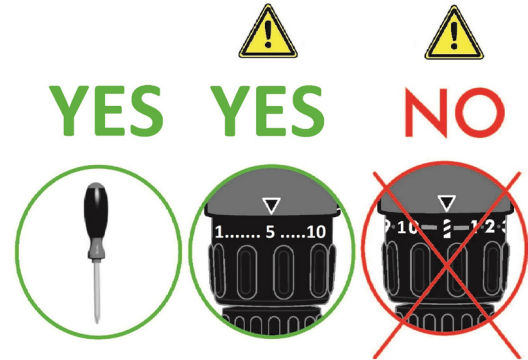
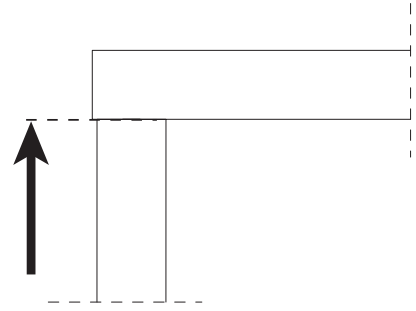


please, do not screw it all in immediately but little by little in sequence!

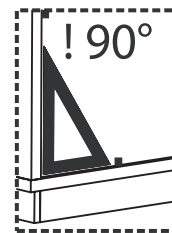




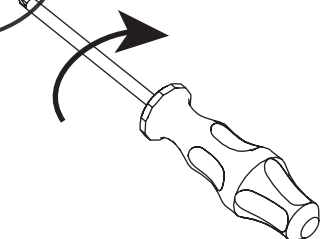
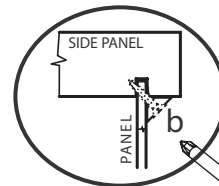
OK



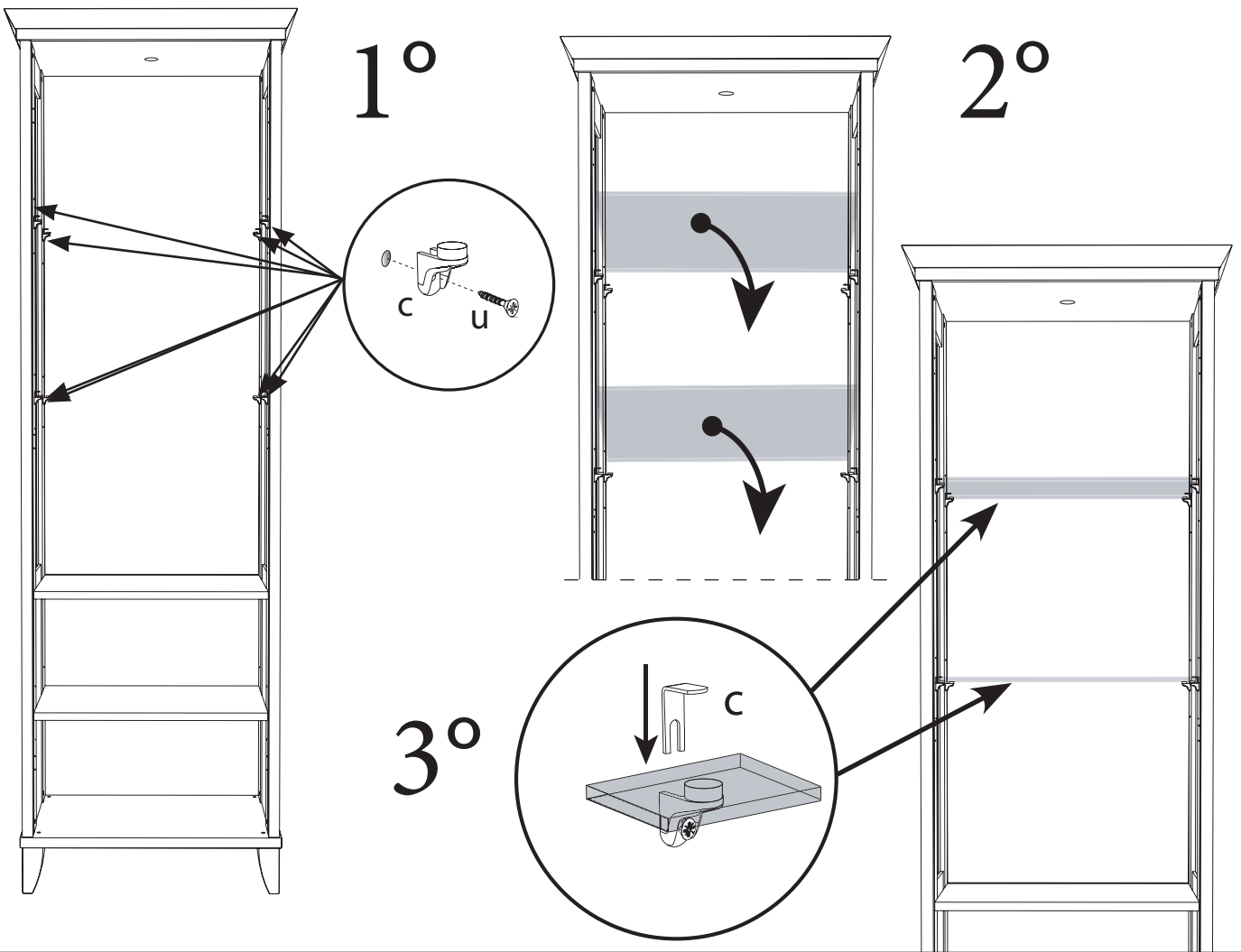
2°



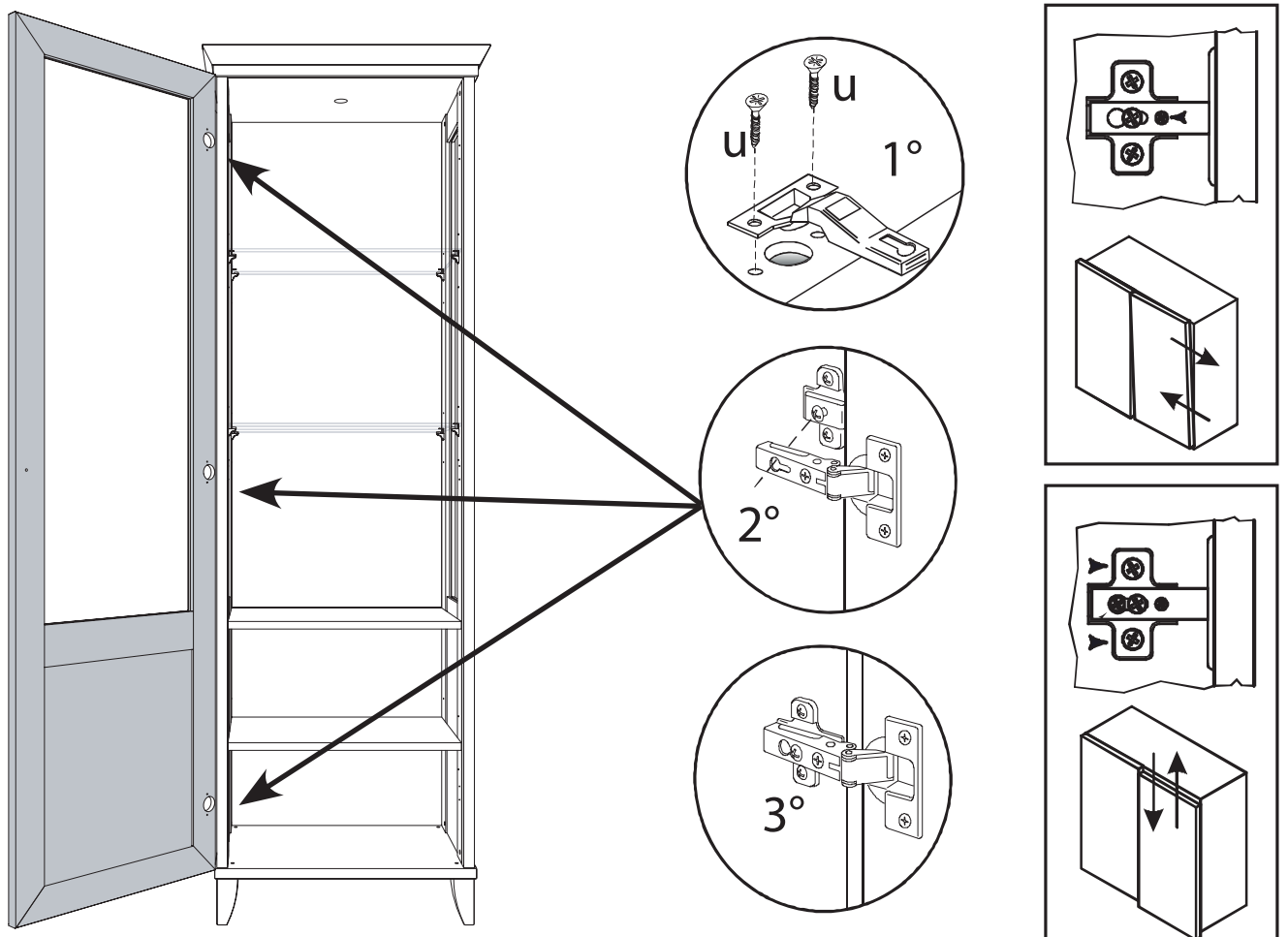
3°



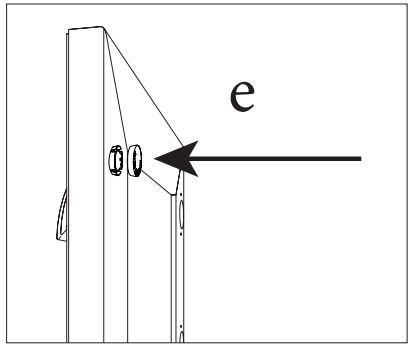
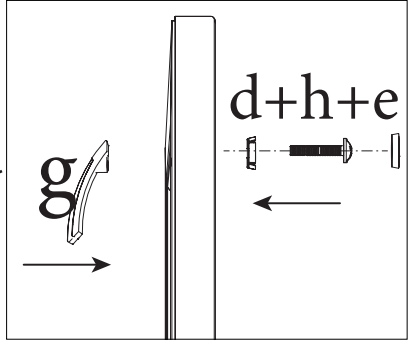
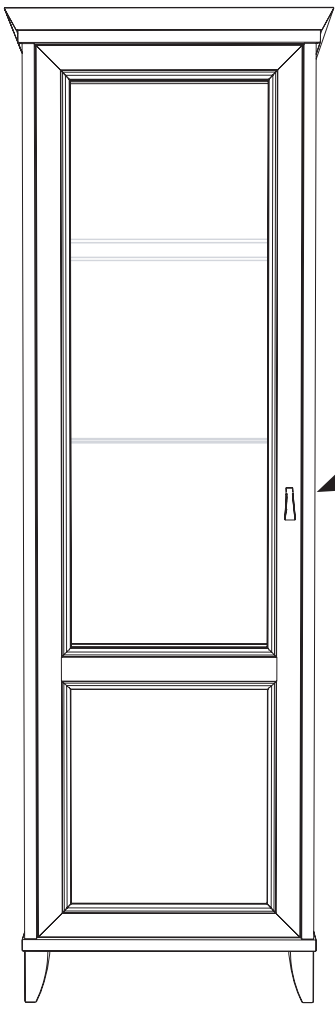
12



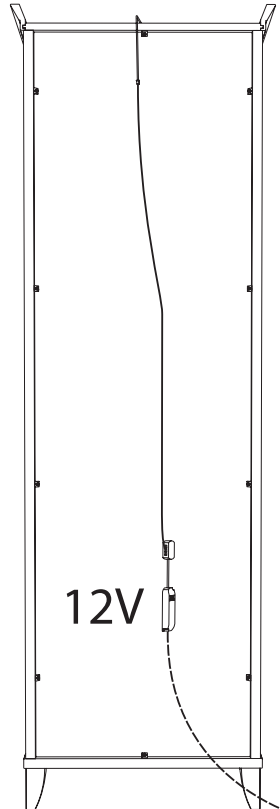
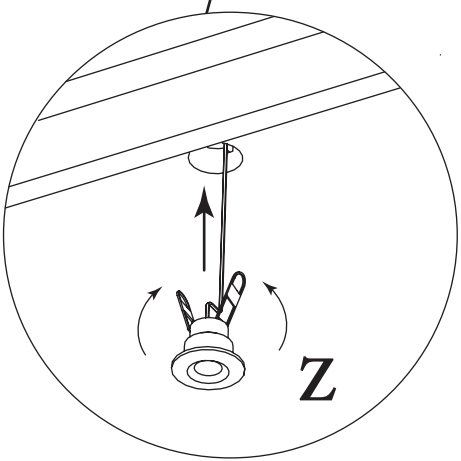
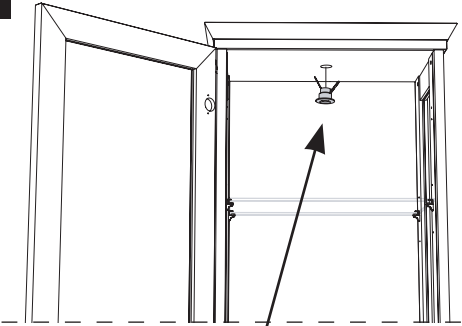
13



14



15



110 / 220V