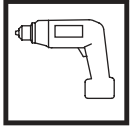
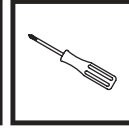


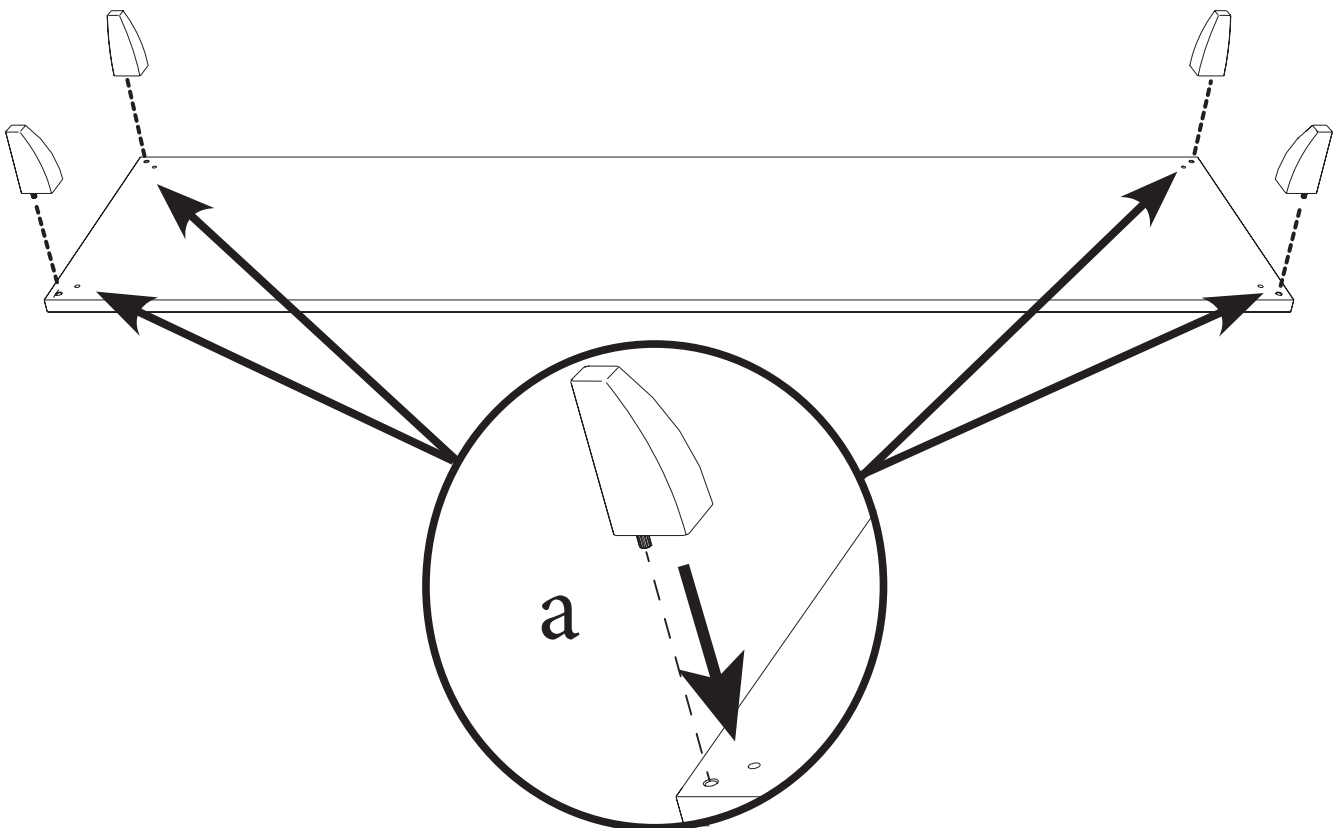
# GIOTTO

## BUFFET 3A+3C - BUFFET 4A+3C

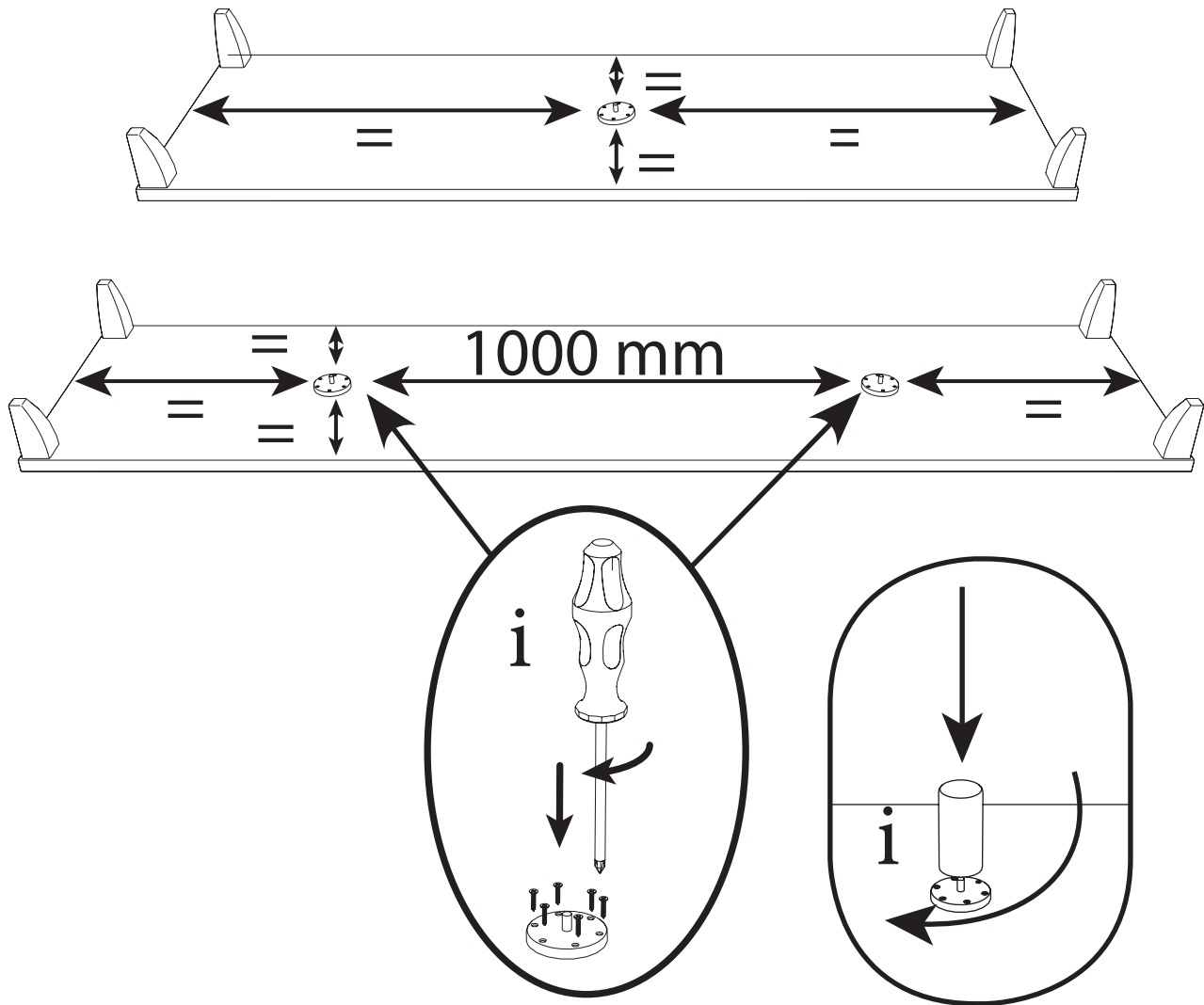


<b>a</b> (x4) SF157CMN.006BA	<b>b</b> (x4) TBL 6MAX40	<b>c</b> (x3-4) MPM15702	<b>d</b> (x9-12)	<b>e</b> (x9-12)	<b>f</b> (x6-8) TBL 6MA X 37.5
<b>g</b> (x3-4) MPM16101	<b>h</b> (x3-4) TBL 6MA X 32.5	<b>i</b> (x1-2) MPXPZO98	<b>j</b> (x8) col. 17	<b>k</b> (x8) H. 4	<b>l</b> (x12) MPARLL010
<b>m</b> (x3) MPGC366	<b>m</b> (x3) MPGC365	<b>n</b> (x12) EURO TSP 6.3X13	<b>o</b> (x20) MPXVAR37	<b>p</b> (x1) MPDXXX25	<b>q</b> (x2) TSP 3.5X16
<b>r</b> (x6) SPINA Ø 10X20	<b>s</b> (x9) TSP 4X25	<b>t</b> (x4) MPXFER04	<b>u</b> (x32) TSP 3.5X18	<b>v</b> (x5) MPXVAR19	<b>w</b> (x1) MPDXXX18
<b>x</b> (x14) MPXCOP70	<b>y</b> (x5) MPXVAR19				

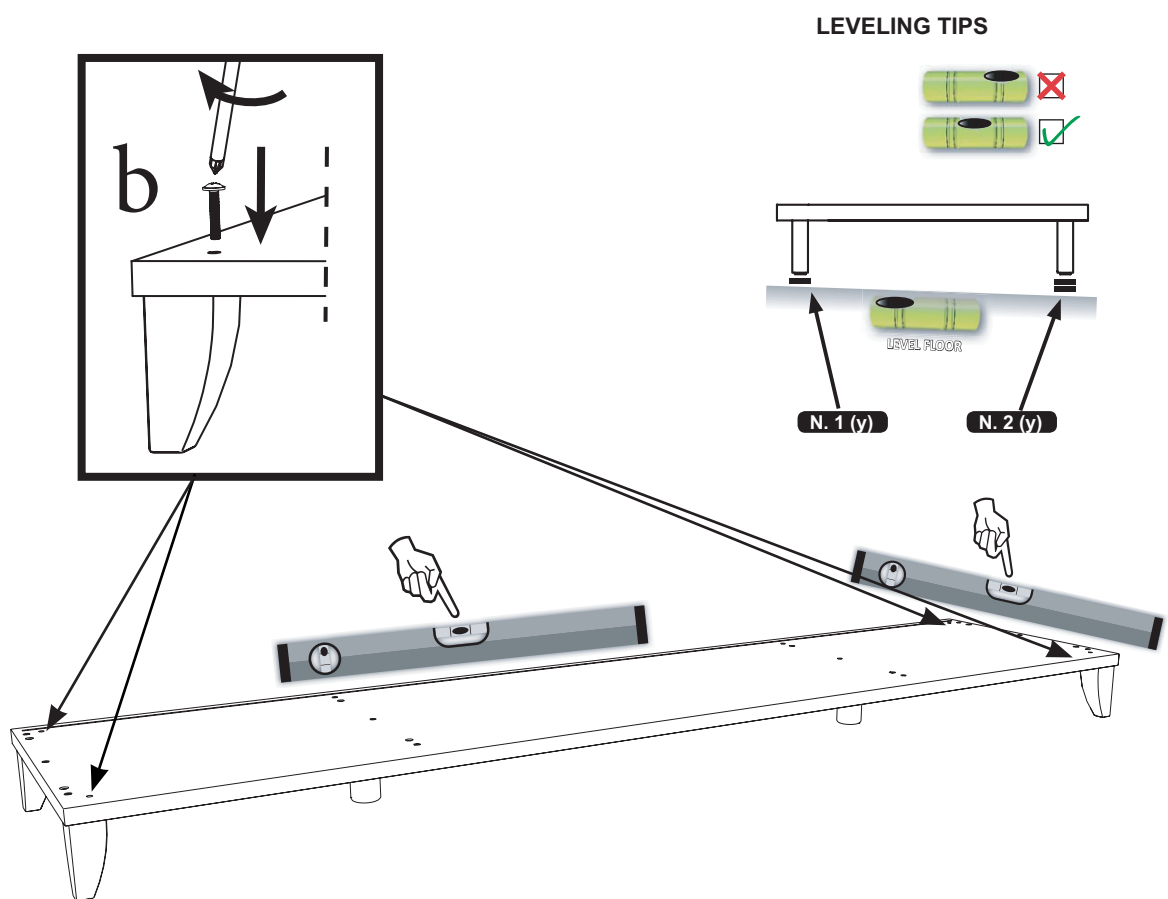
1



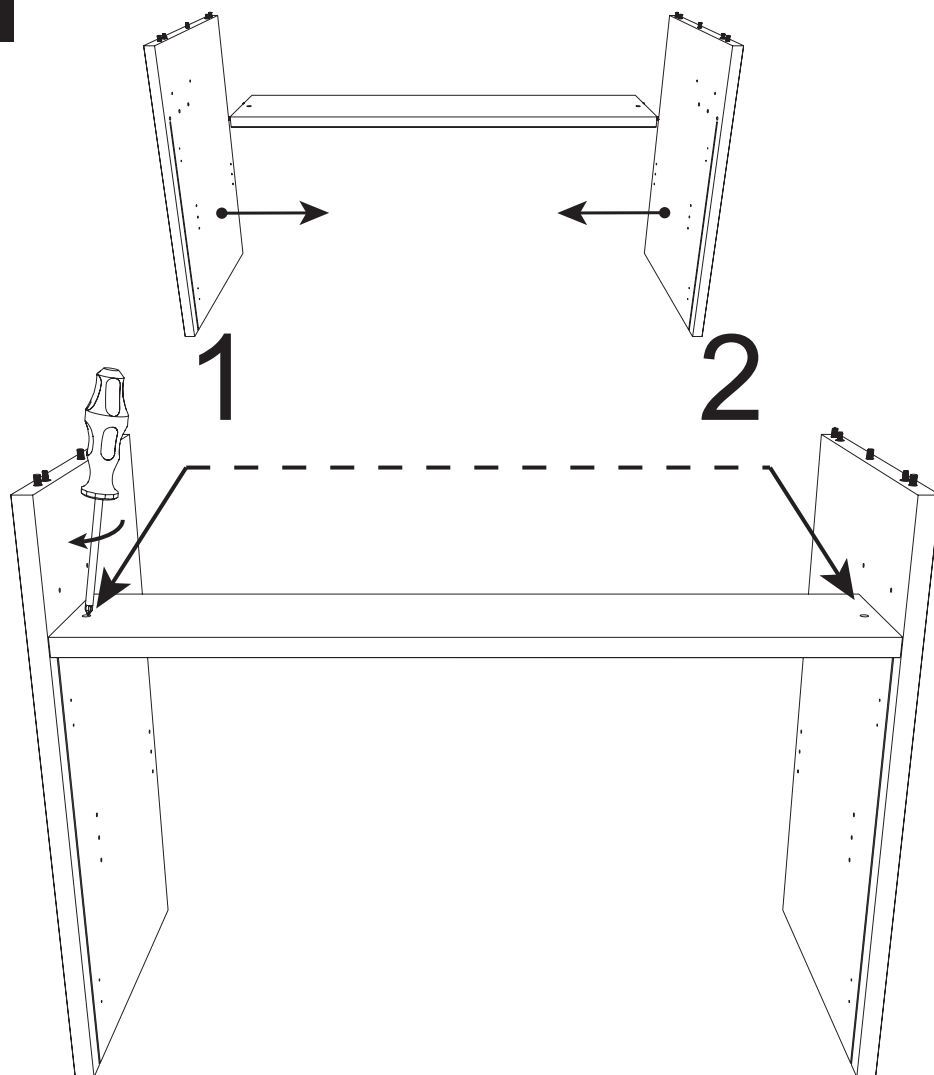
2



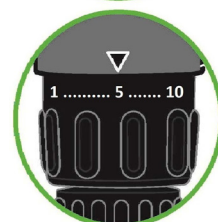
3



4



YES

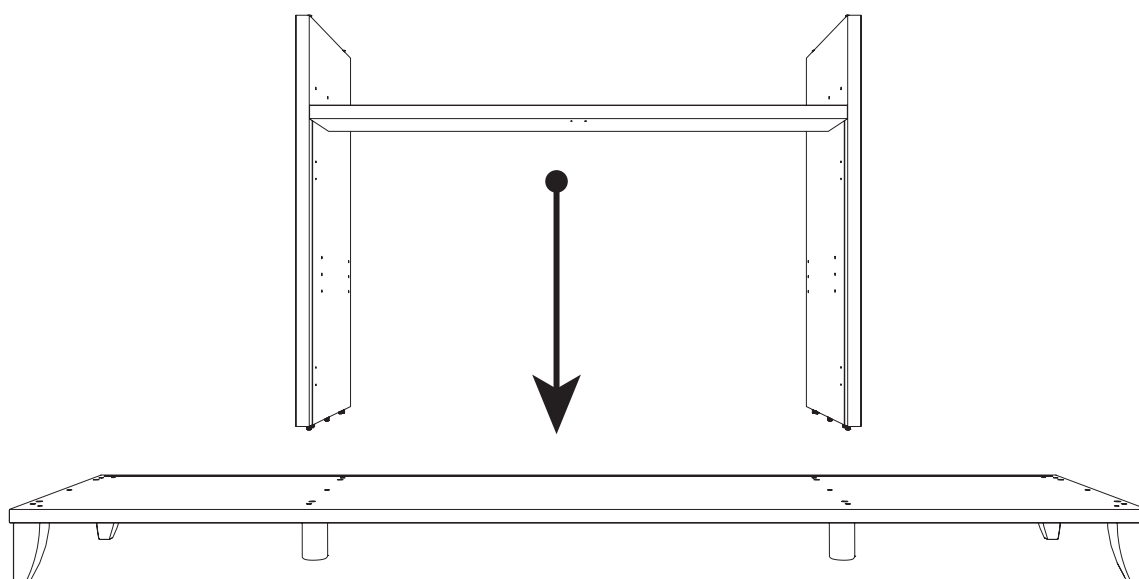


YES



NO

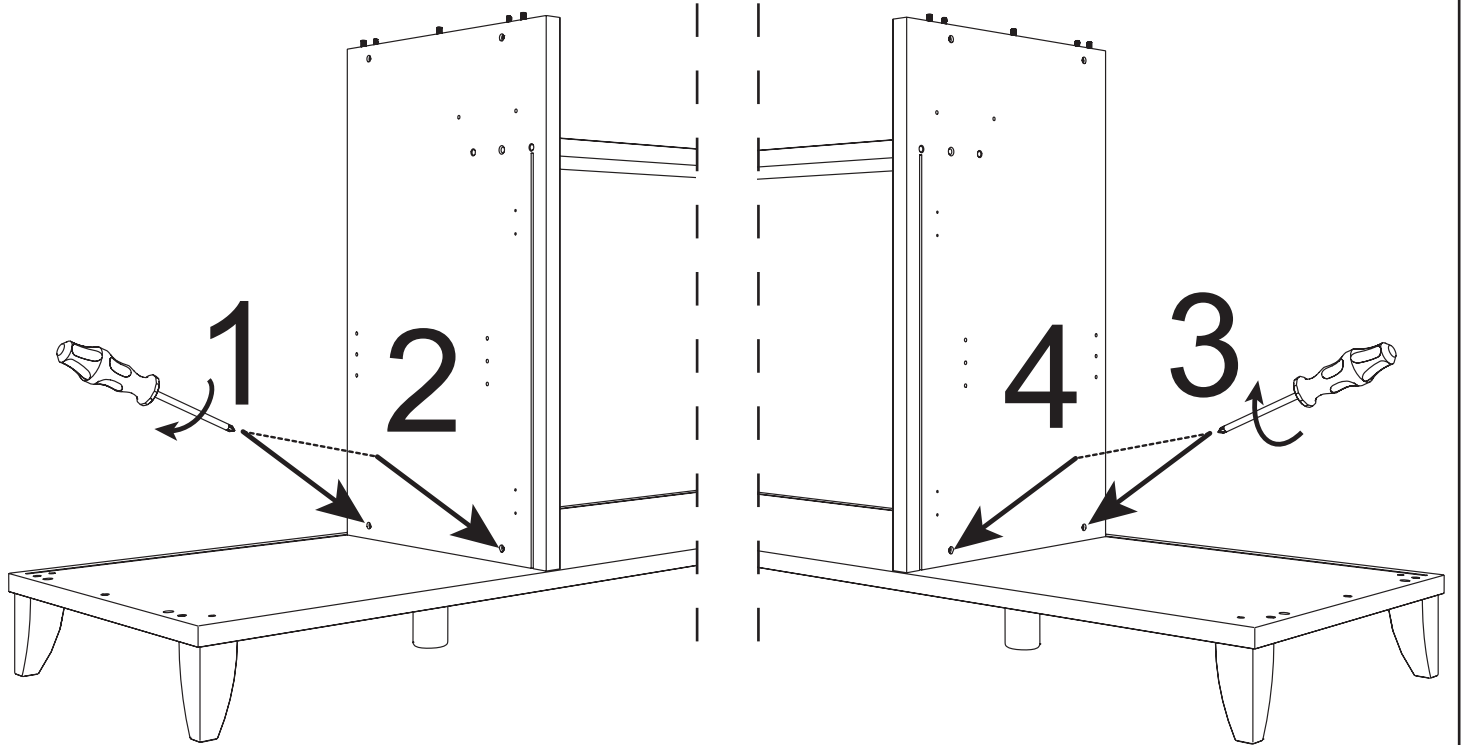
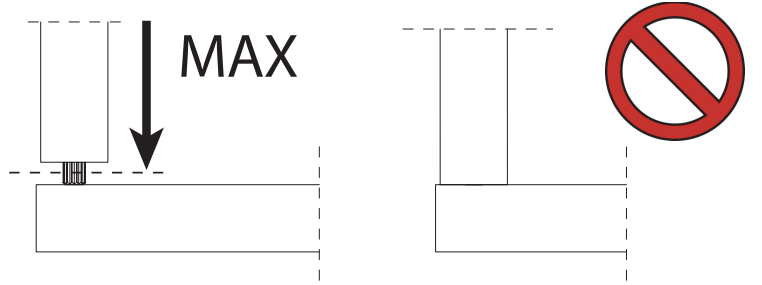
5



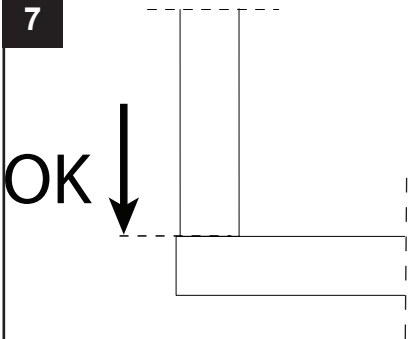
6



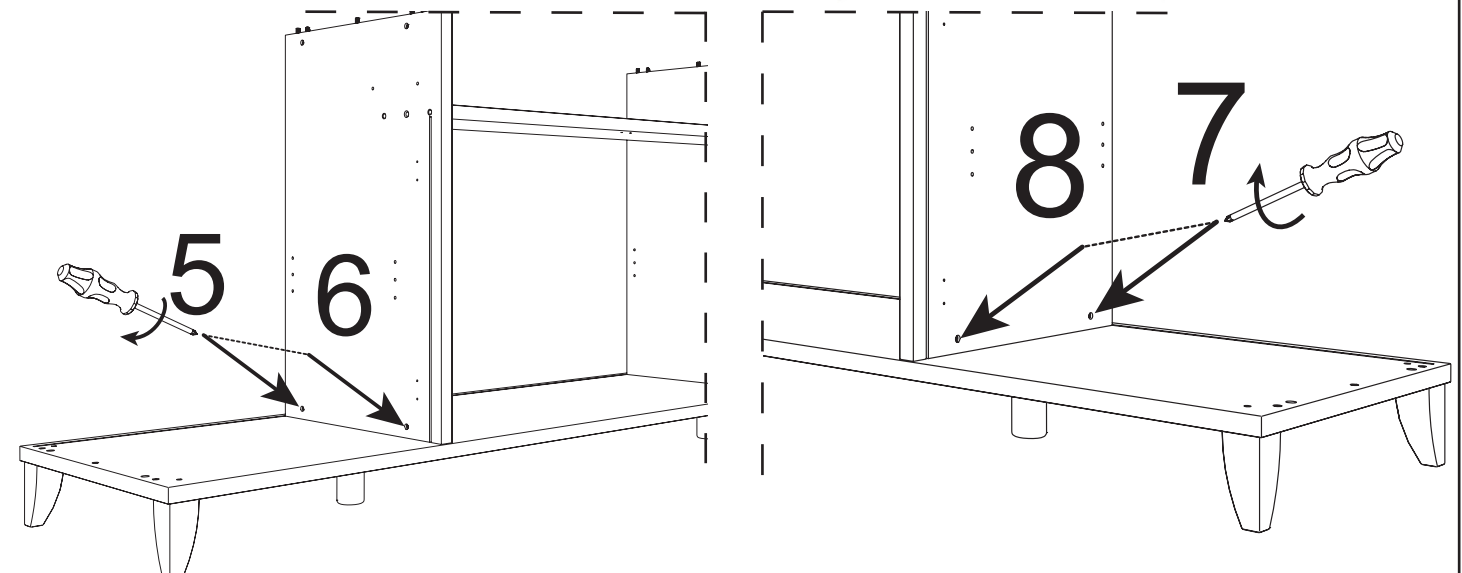
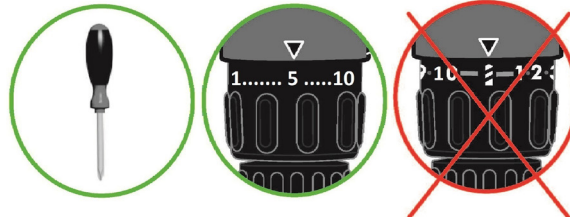
please, do not screw it all in immediately but little by little in sequence!



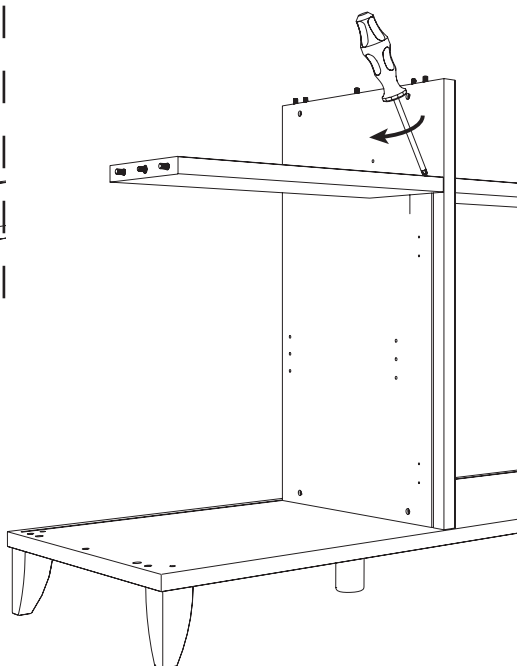
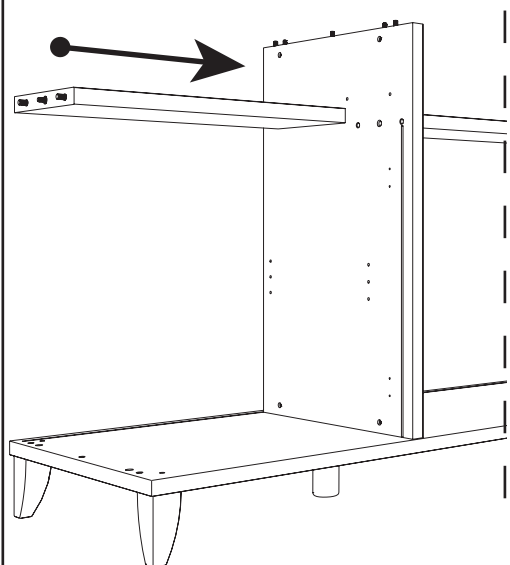
7



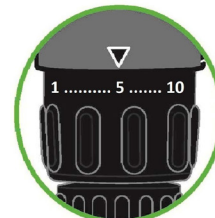
YES YES NO



8



YES

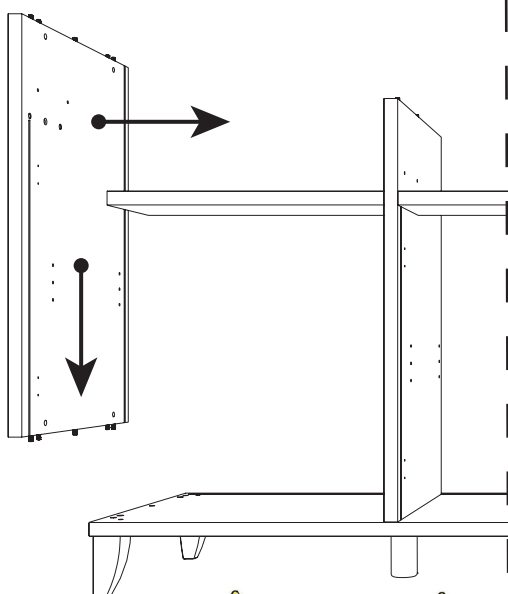


YES



NO

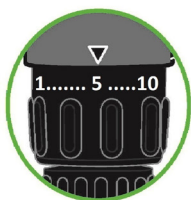
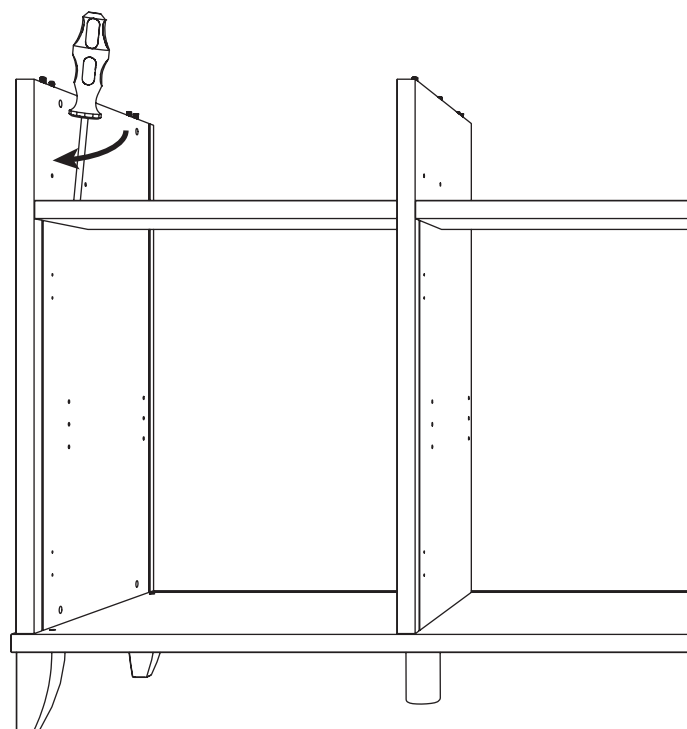
9



YES

YES

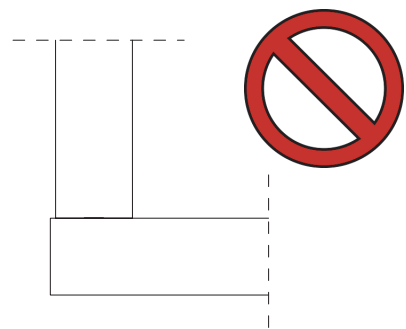
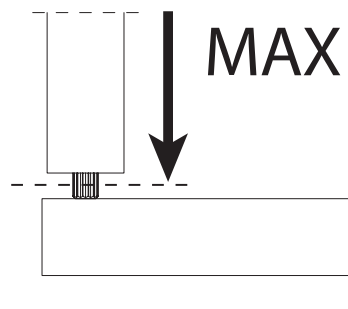
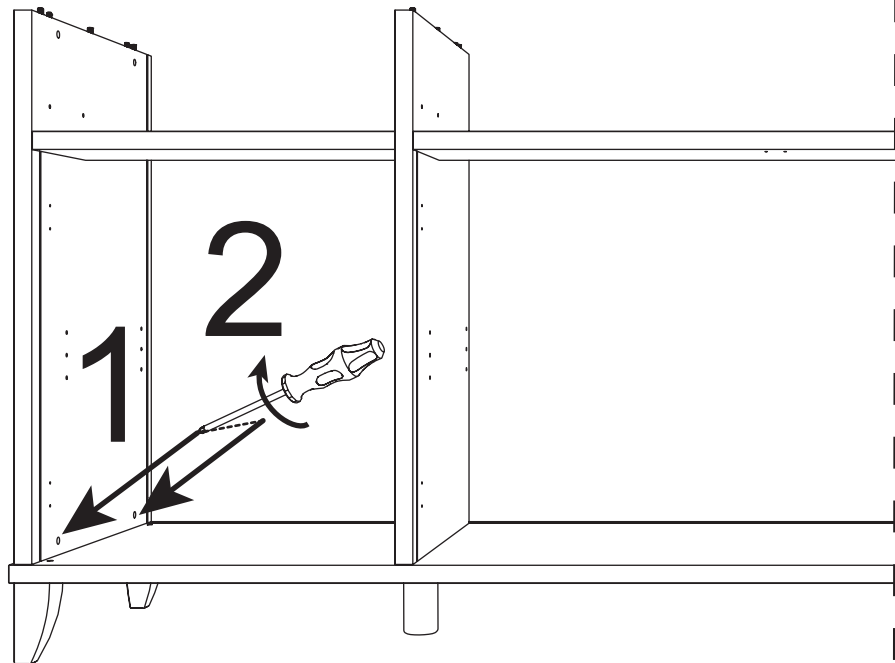
NO



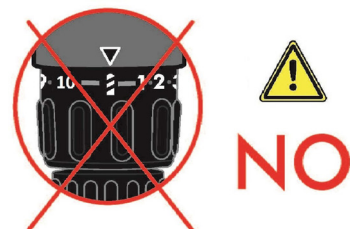
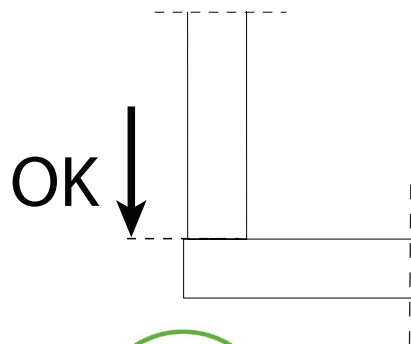
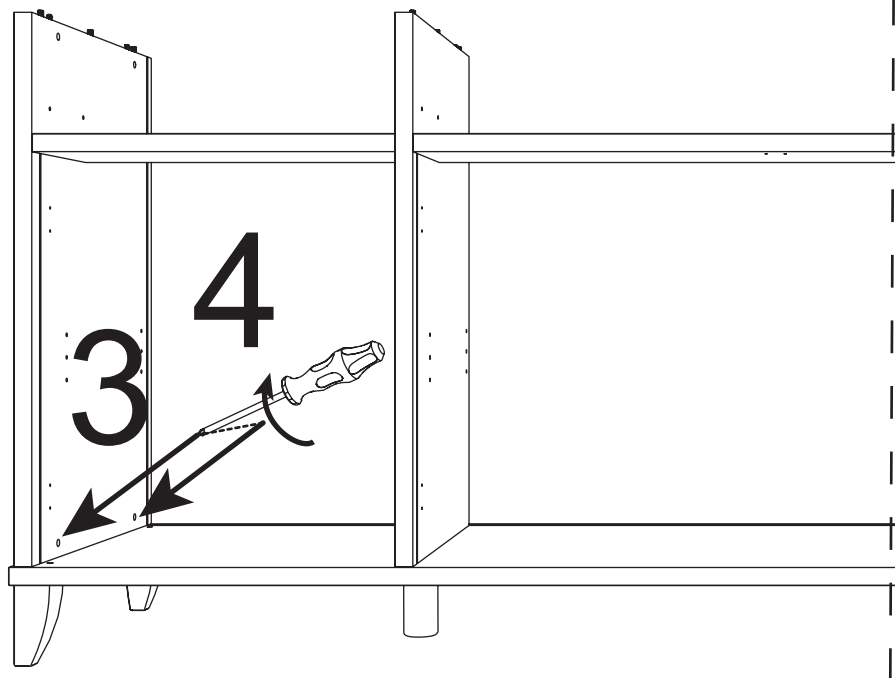
10



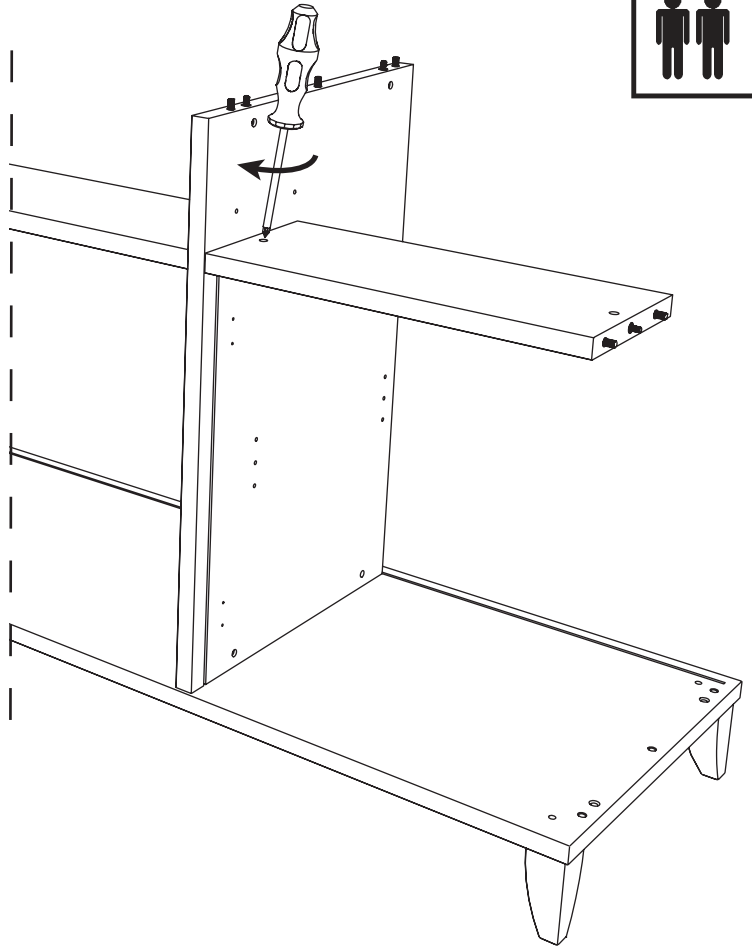
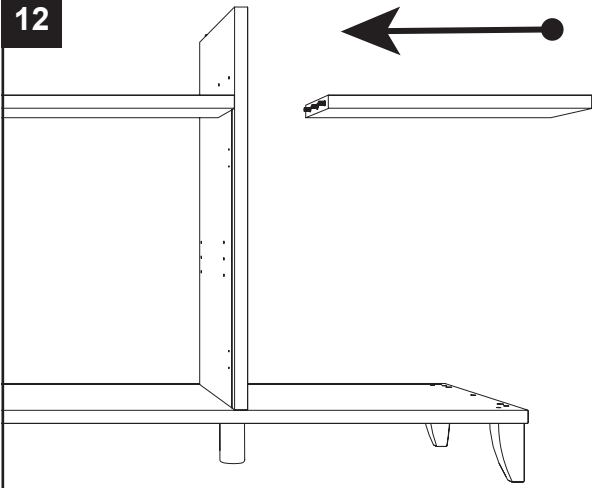
please, do not screw it all in immediately but little by little in sequence!



11



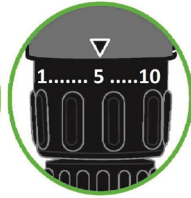
12



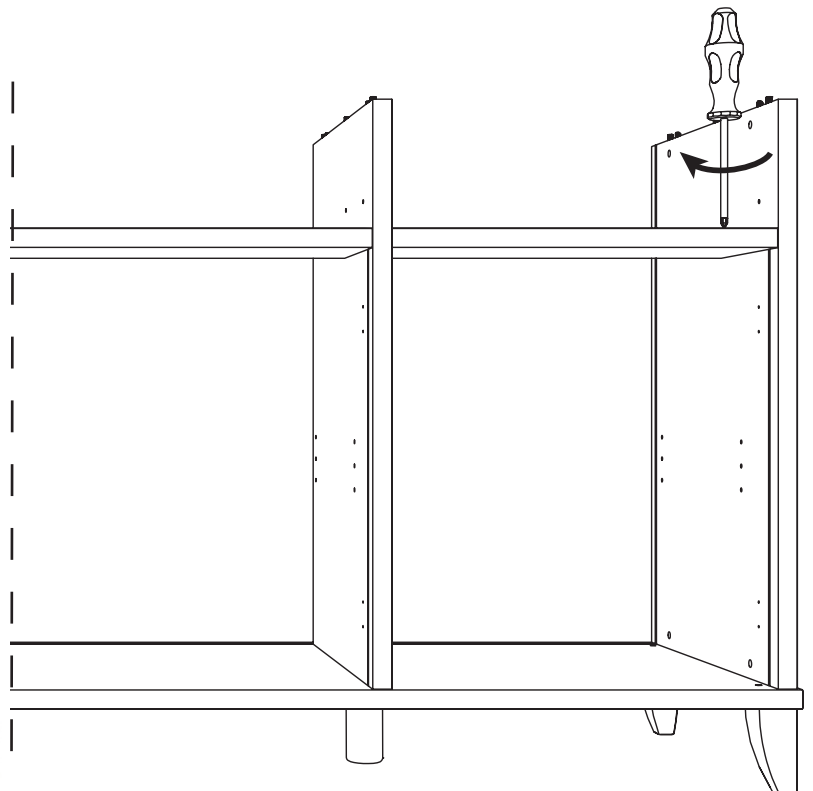
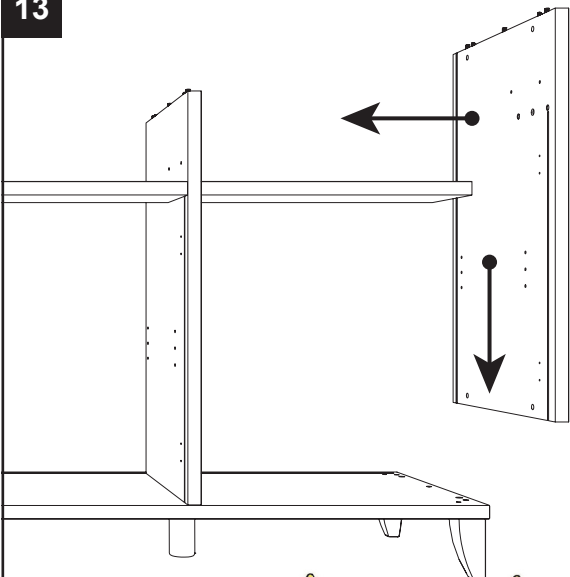
YES

YES

NO



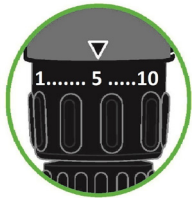
13



YES

YES

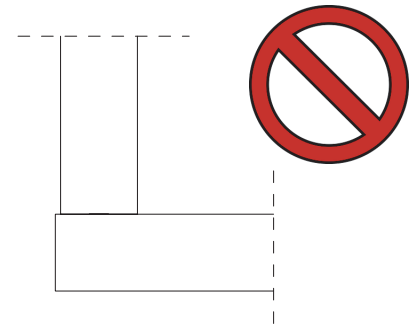
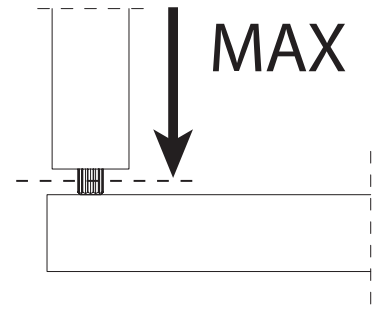
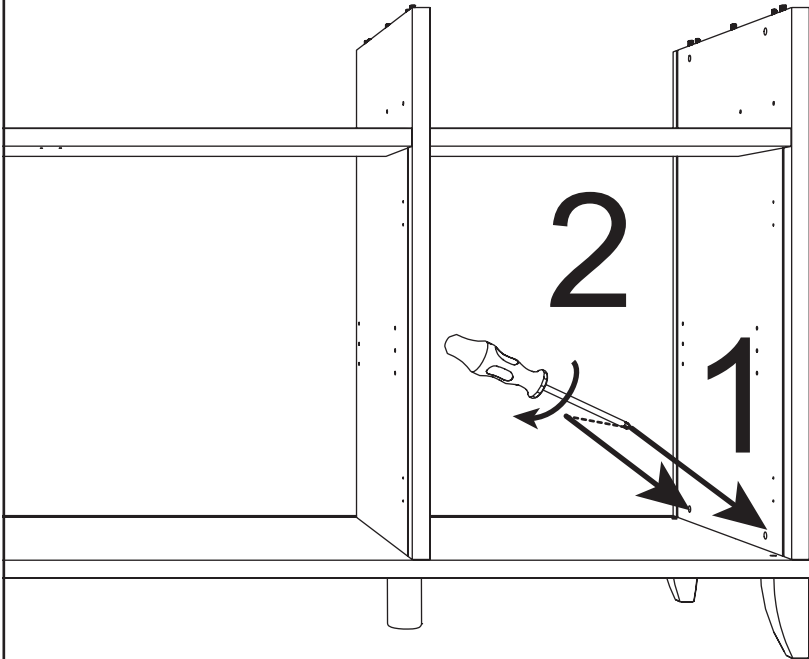
NO



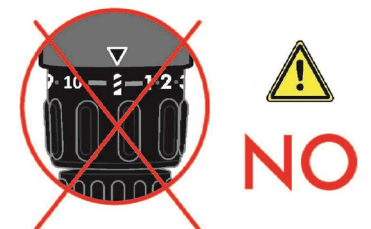
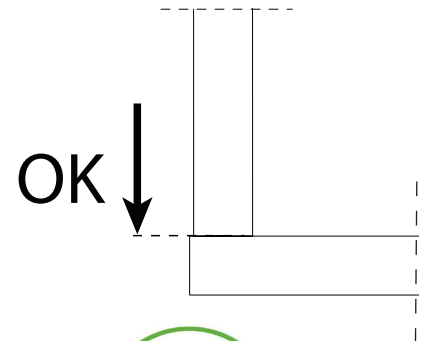
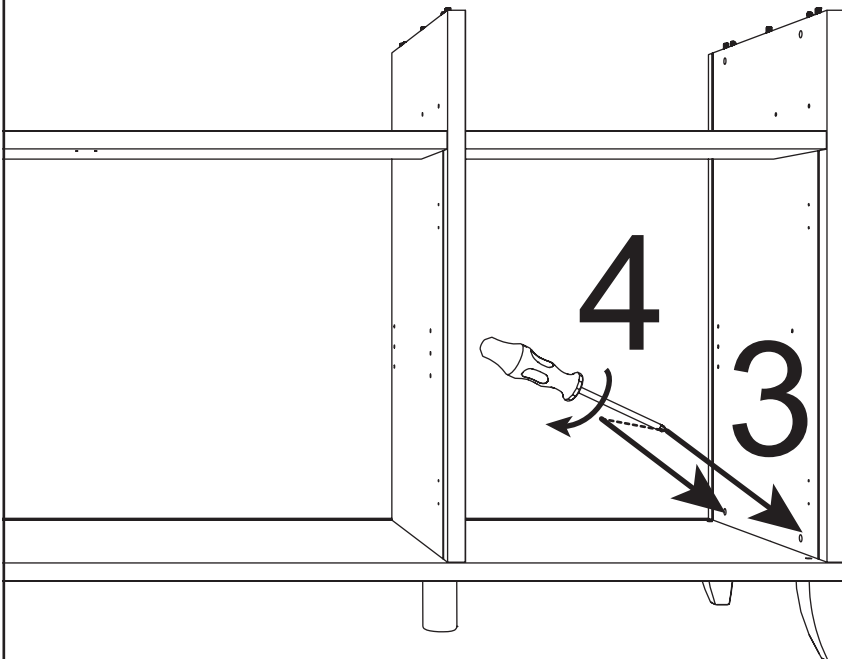
14



please, do not screw it all in immediately but little by little in sequence!

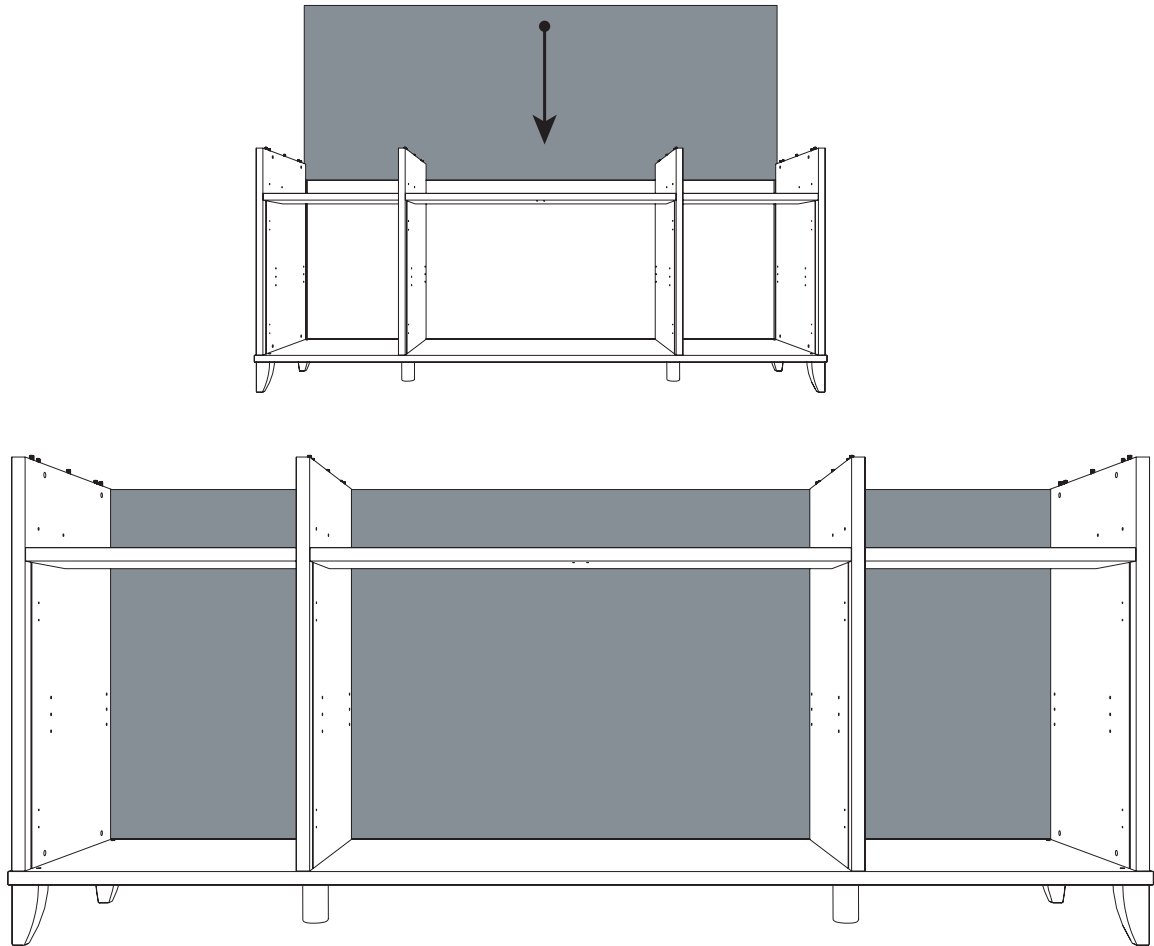


15

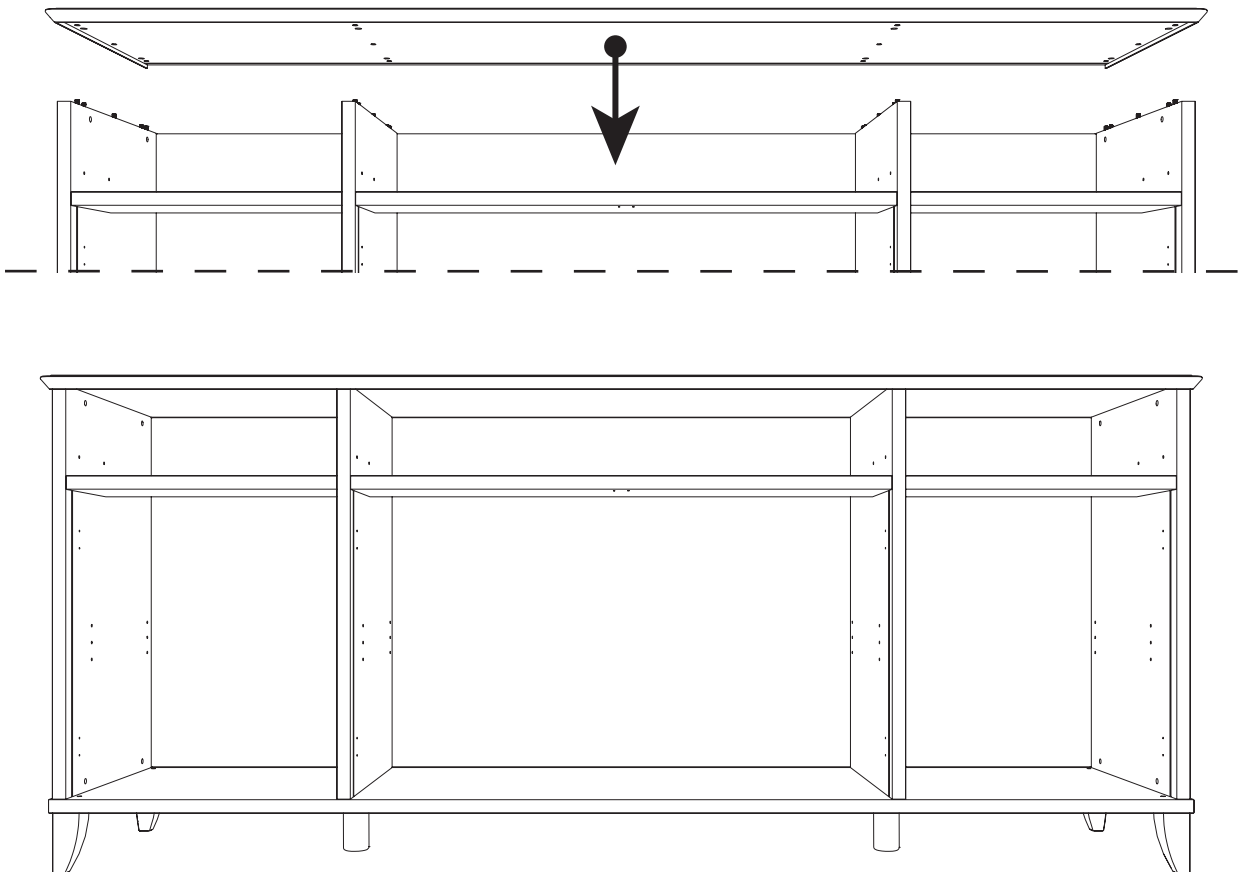




16

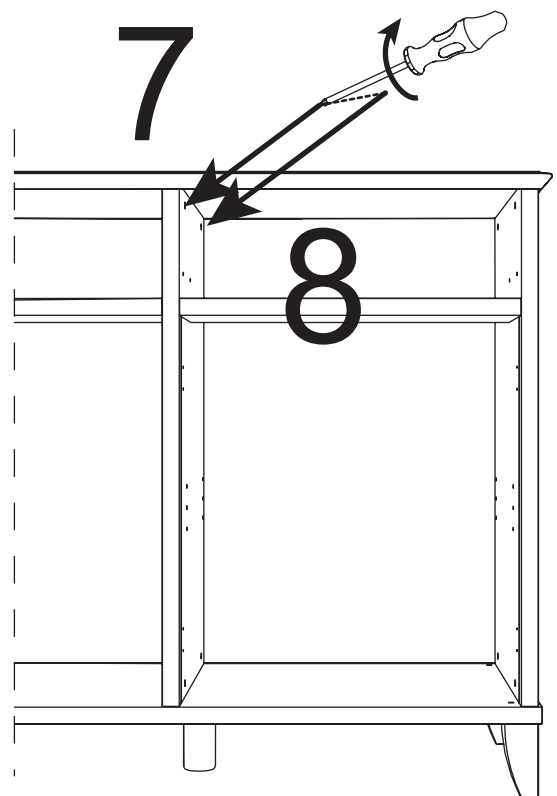
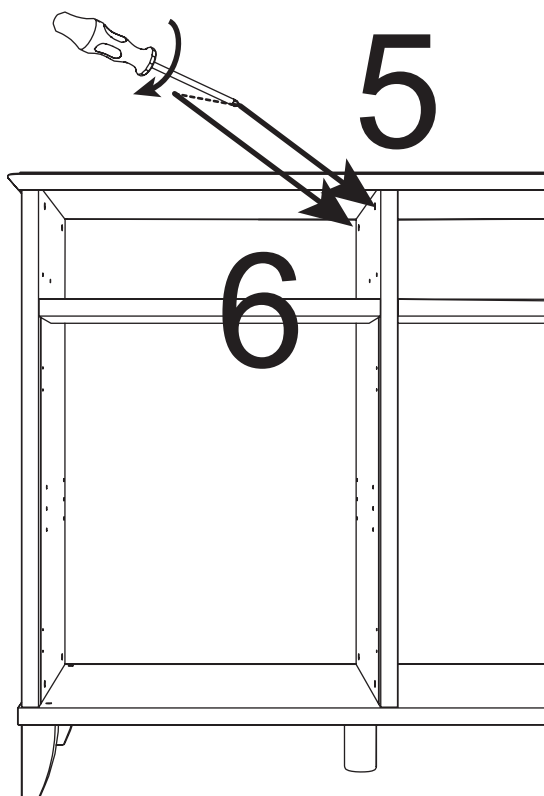
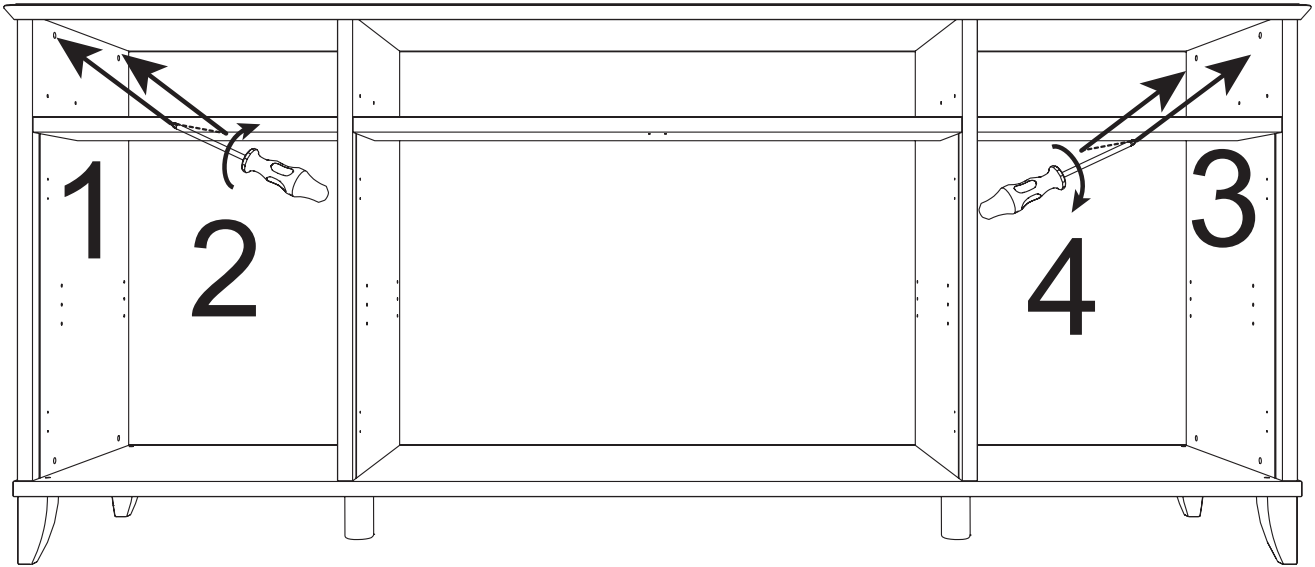
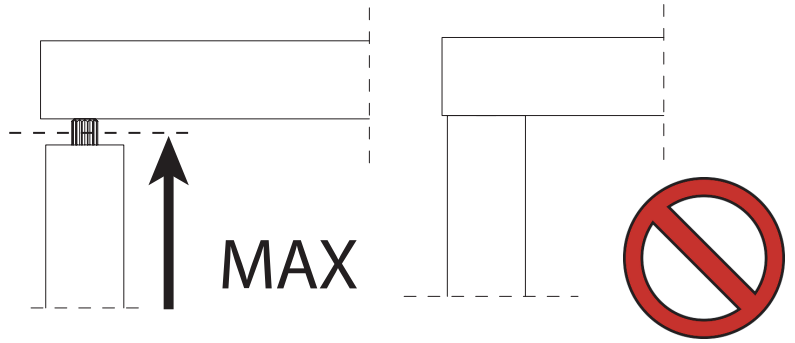


17

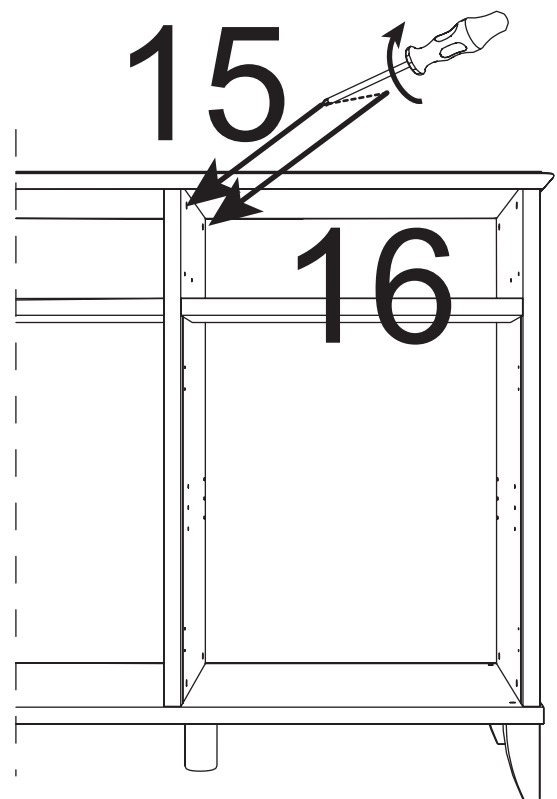
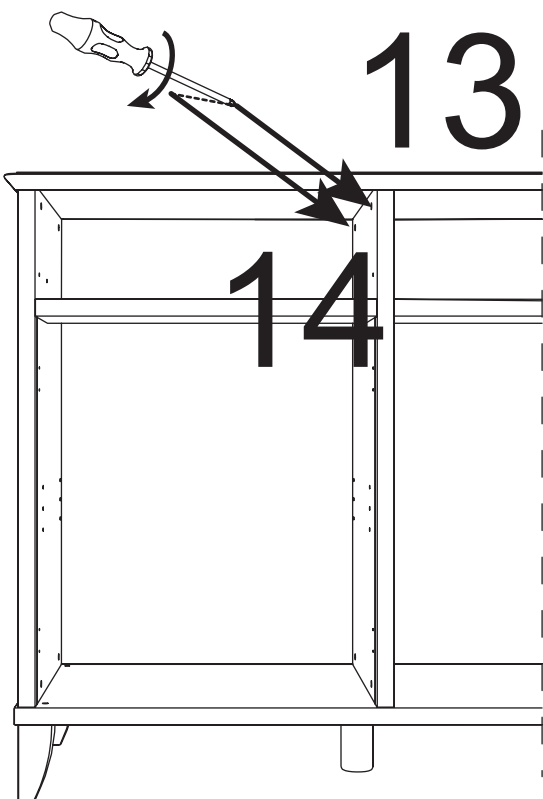
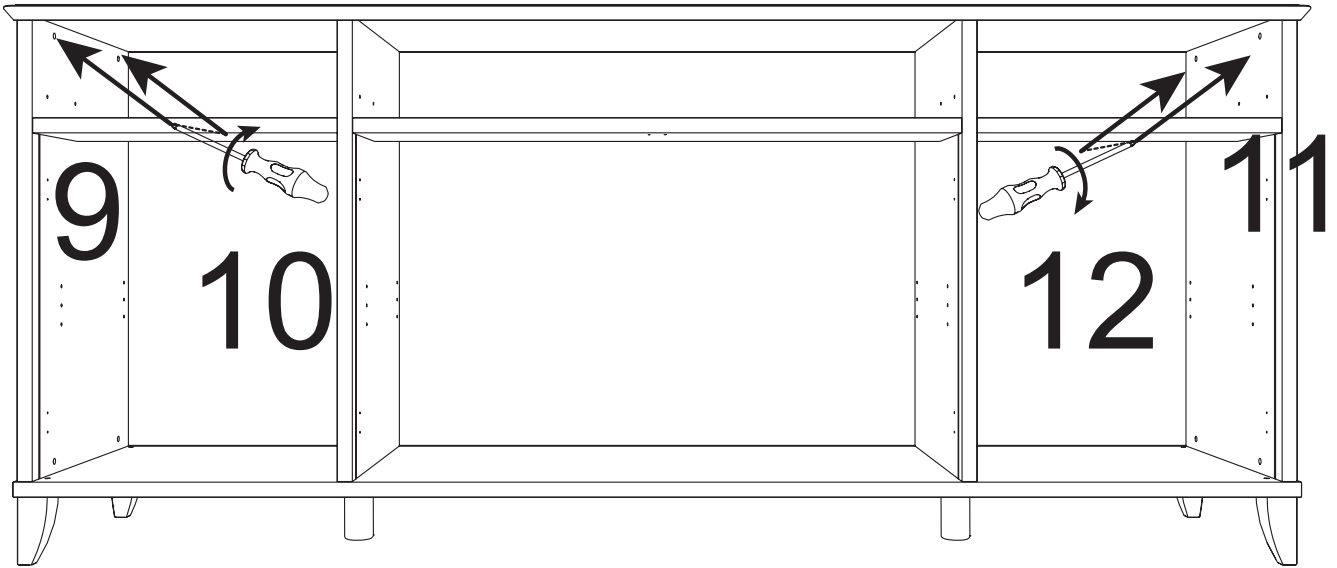
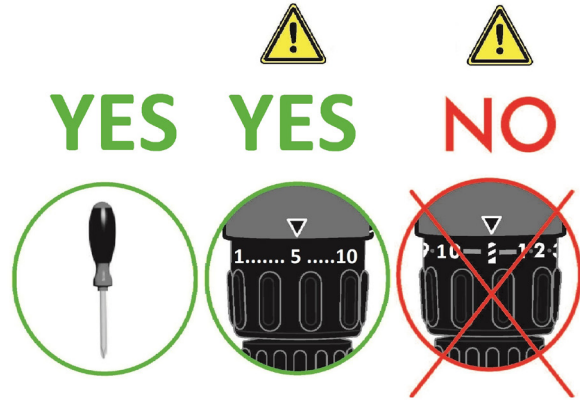
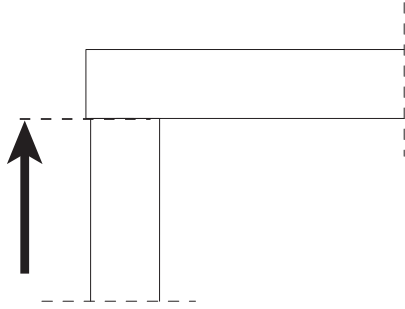


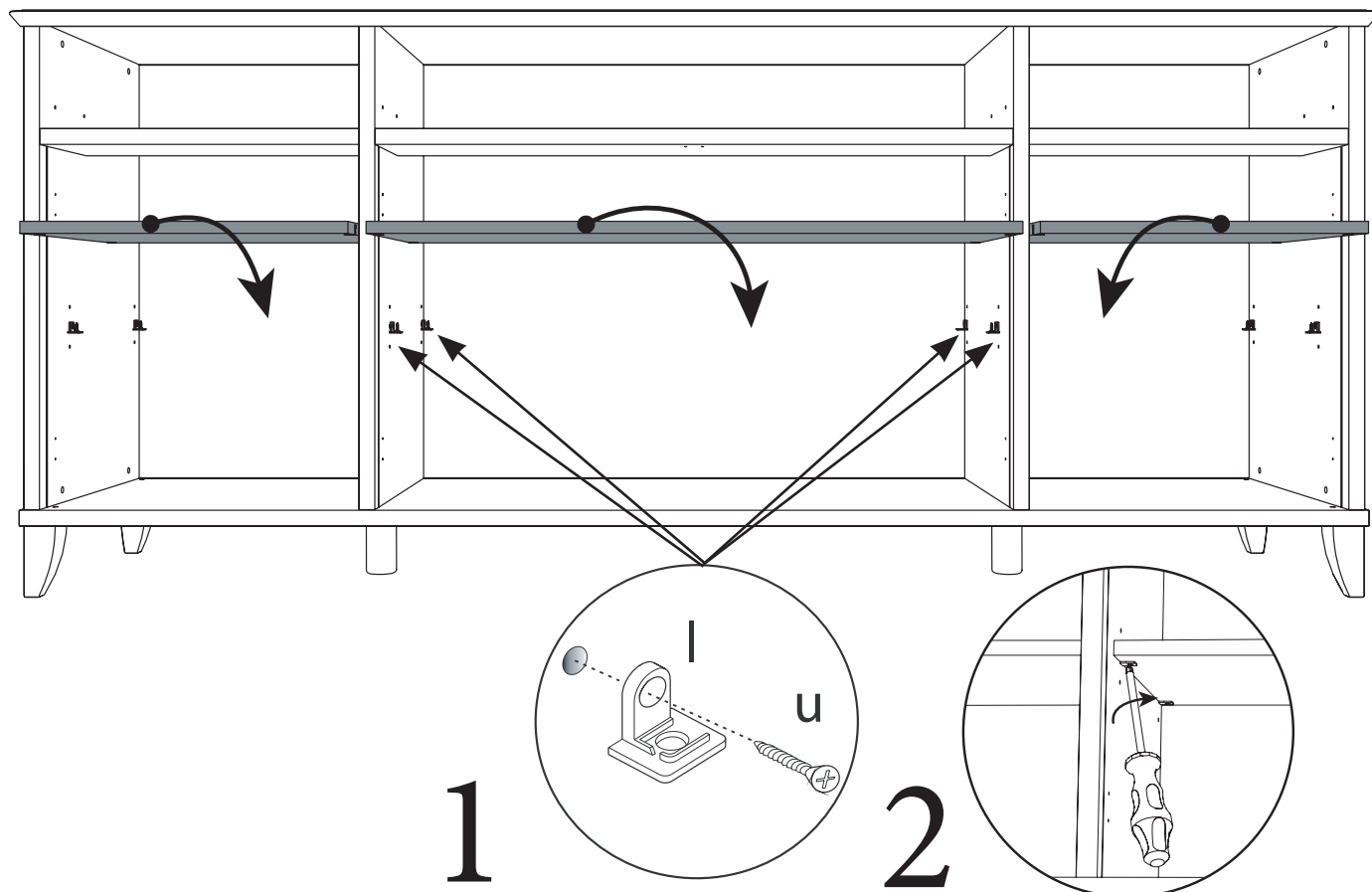
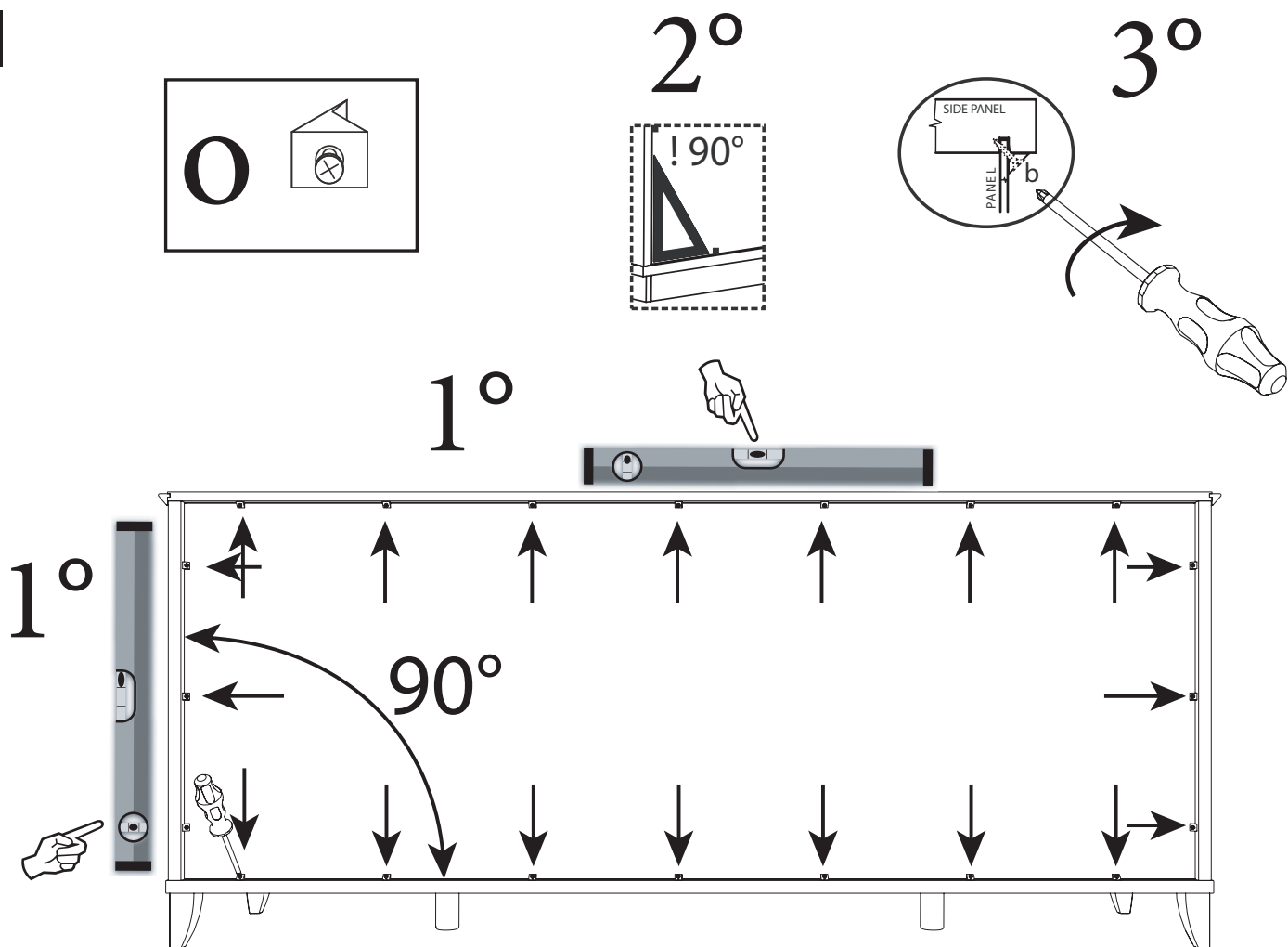


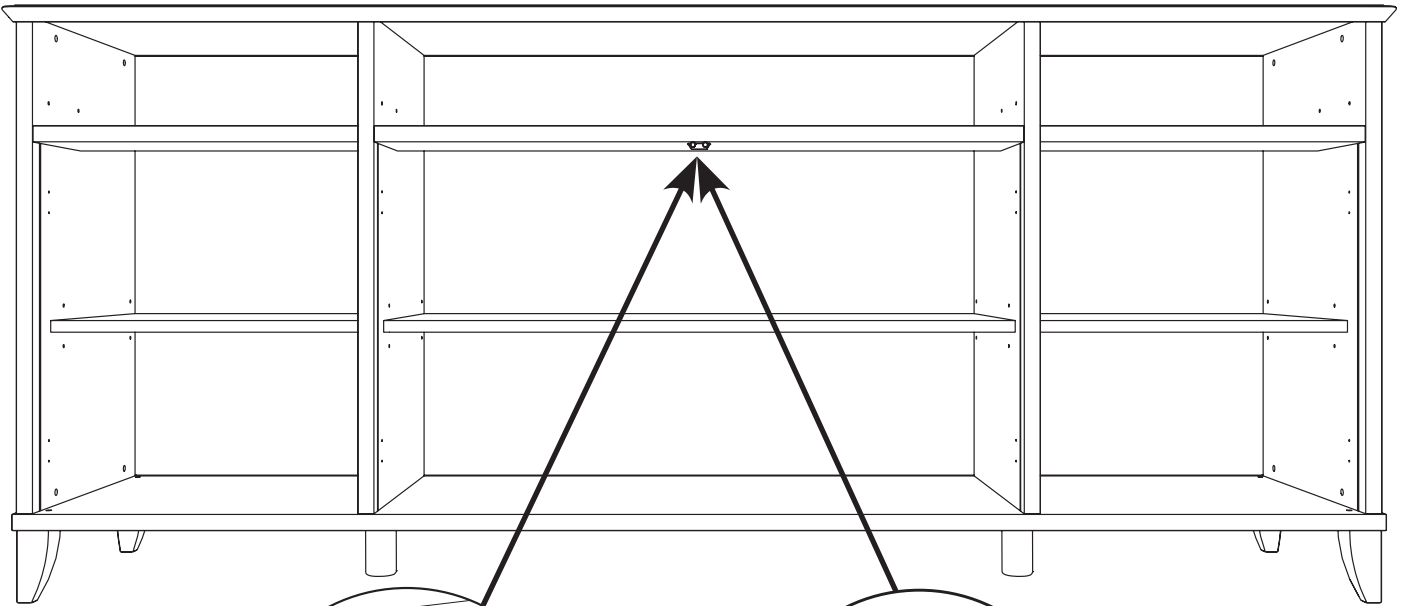
please, do not  
screw it all in  
immediately but  
little by little in  
sequence!



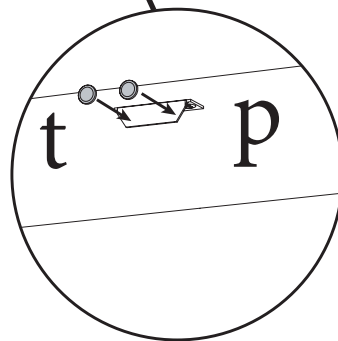
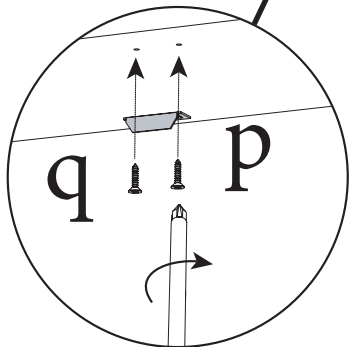
OK



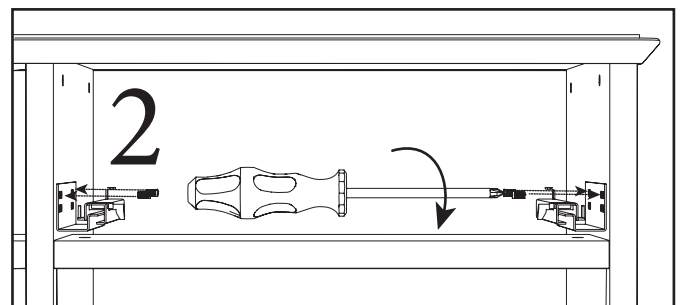
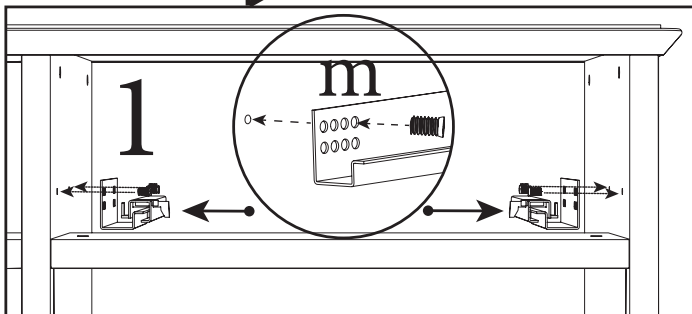
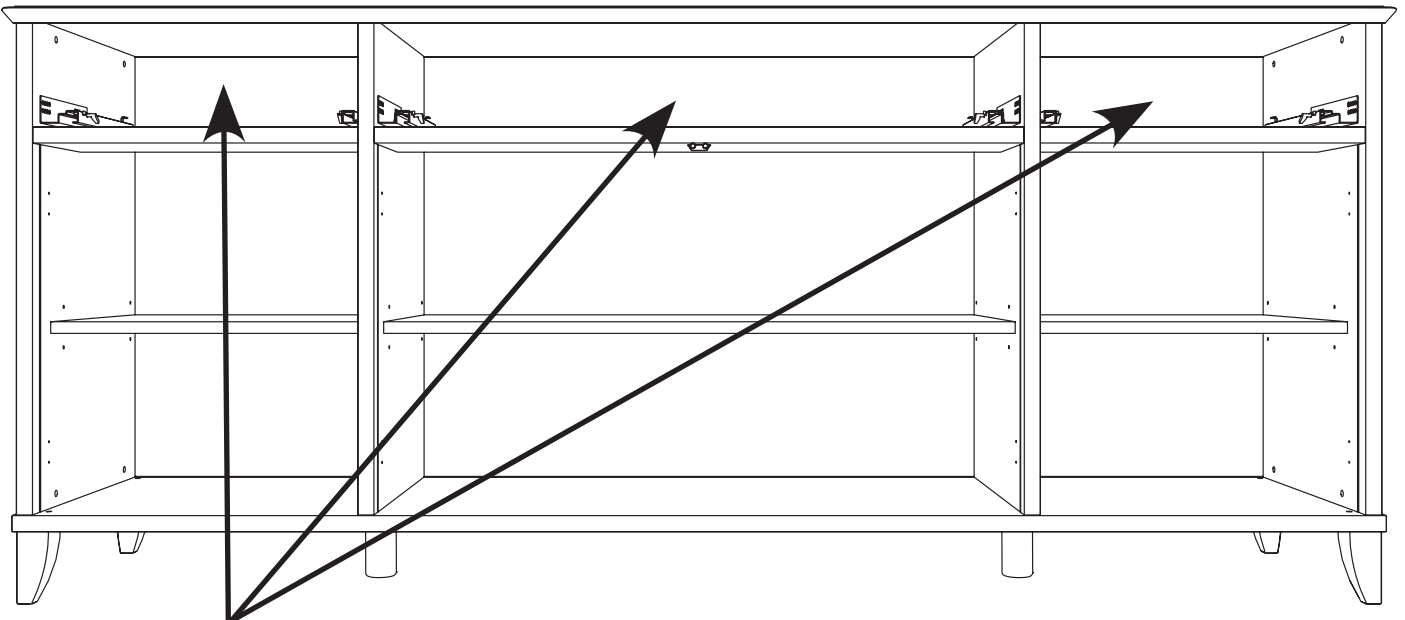


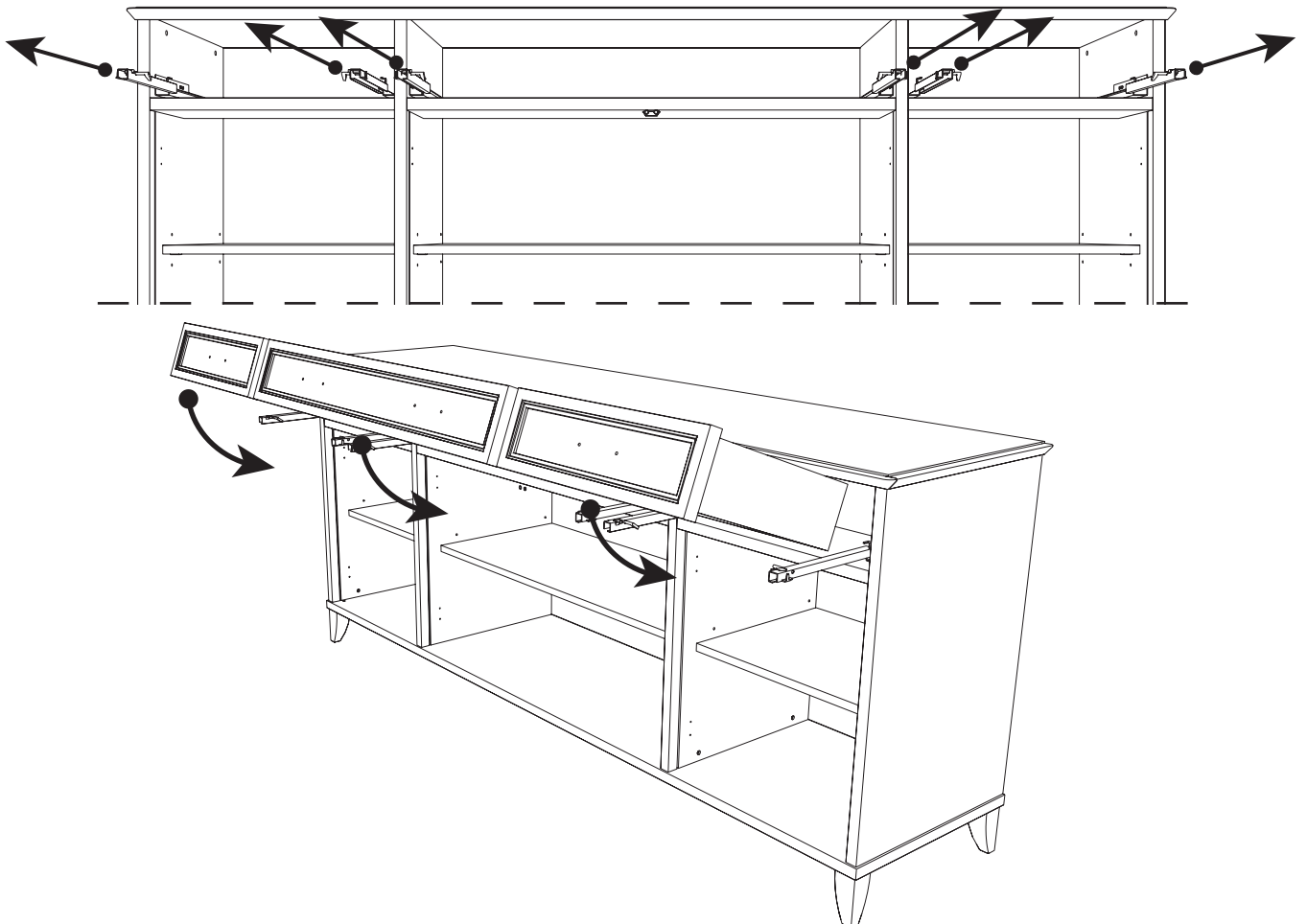
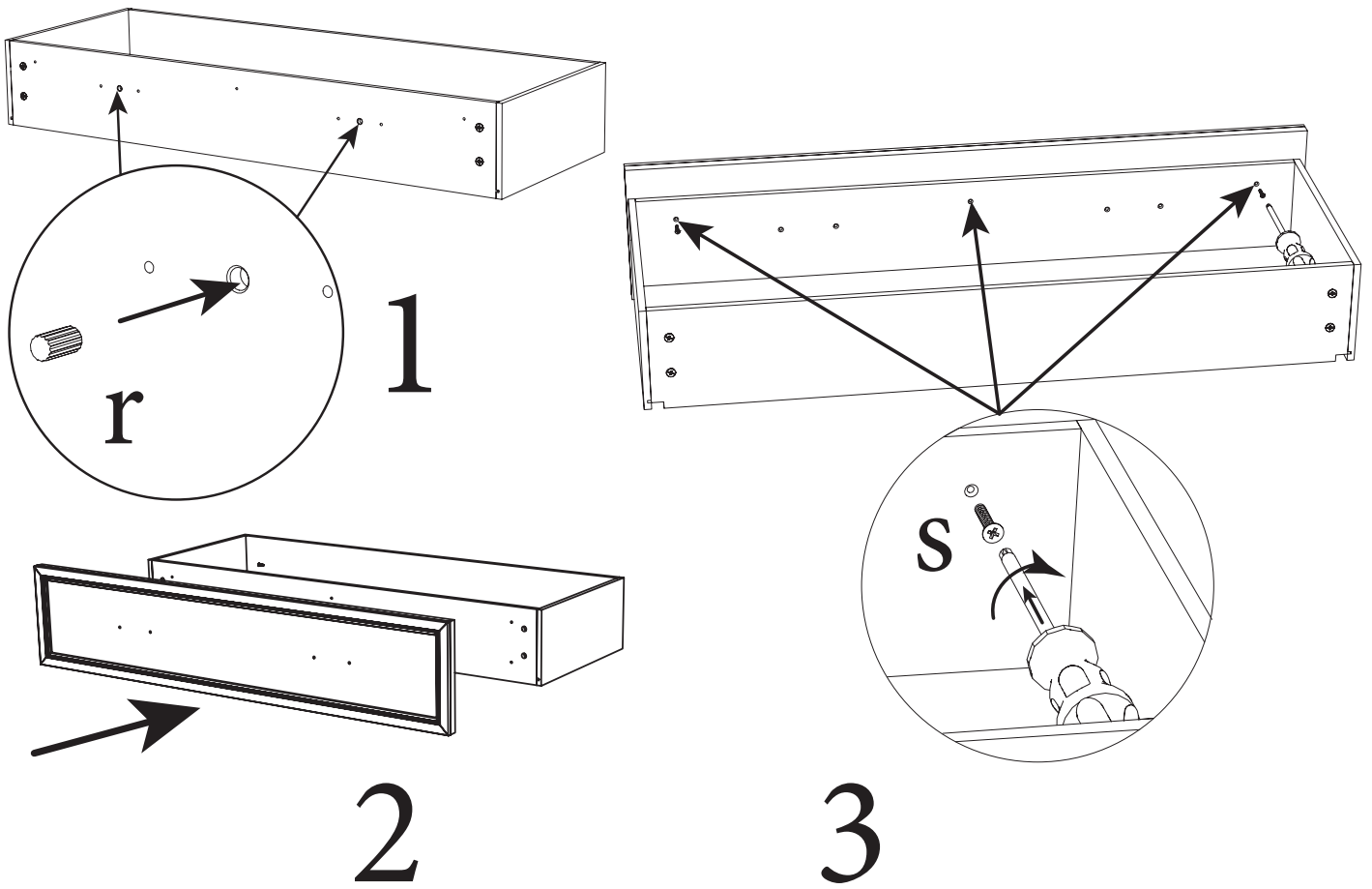


1°

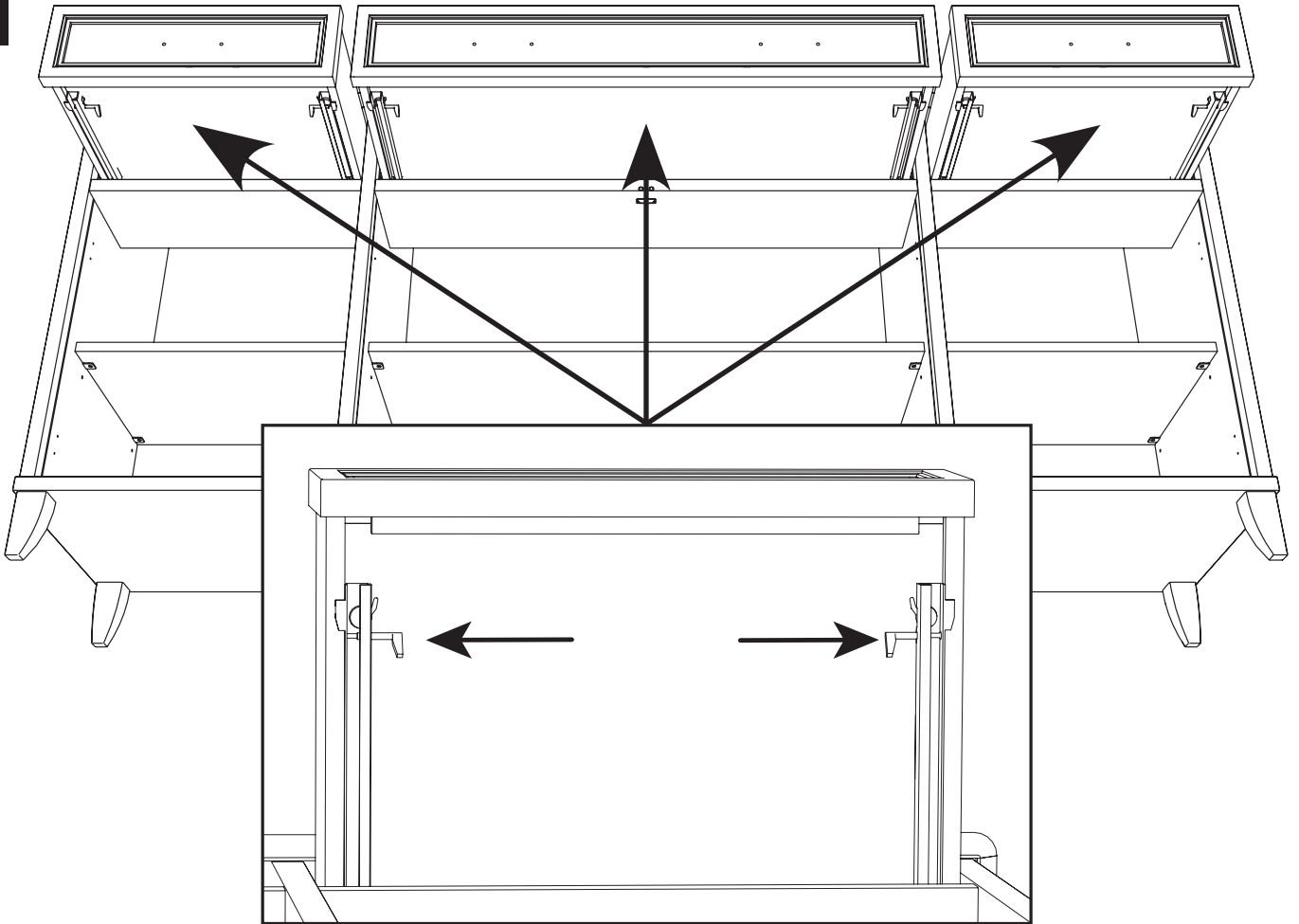


2°

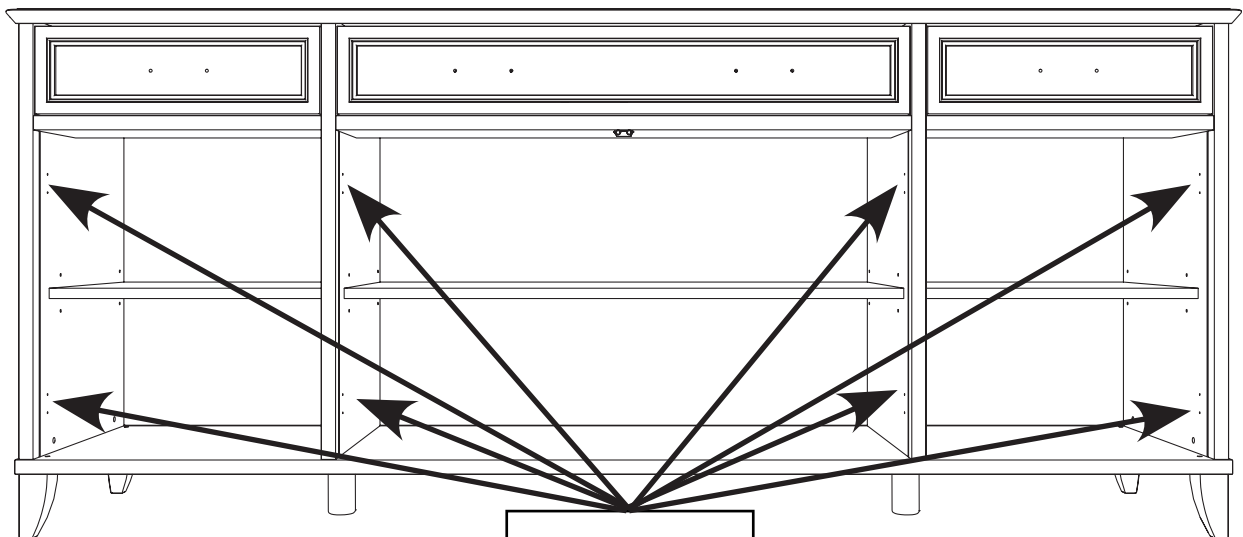




26



27



k

u

