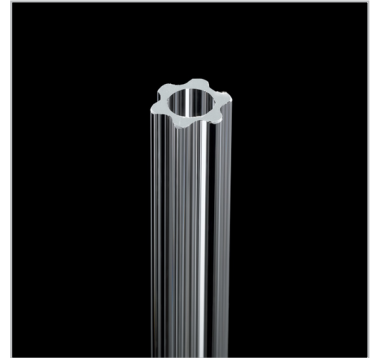


CEILING LAMP

Chrome metal frame. Transparent glass rods with star section. Ceiling lamps equipped with cut-crystal balls in the middle.



Code	019451
Item name	ELEGANT PL8
Insulation class	Class I
IP	20
Power	max 8 x 40W G9
Bulb / LED included	047881 ALO G9 28W
Net Weight	8,620 Kg
Volume	0,1329 m ³
Base / Hole	ø 45 cm

