

Technický list – SantaLucia Integra

MATERIÁL

Bočnice, police, mezistěny - 35 mm, MDF desky, které jsou potažené laminem. (Wood Material, Eco Matt Colors, Matt Lacquered)

Jednotlivé tloušťky desek jsou uvedeny v popisu níže.

Skleněné police – průhledné sklo

Push & pull systém: nastavitelná hloubka.

Posuvné dveře: vybavené hliníkovým posuvným systémem s tlumeným zavíráním.

Skleněné dveře – Rám s integrovanou vnitřní zarážkou skla s exkluzivním designovým profilem 45x20 v provedení Nikel a vybaven rukojetí integrovanou do rámu. Skleněné panely - Trasparent, StopSol a Pewter jsou tl. 4 mm. Kovové panty nastavitelné ve 3 směrech.

PODNOŽ

Pokud moduly nejsou zavěšeny.

Podnož výška 23 mm.

Vyrobené z černého plastu, výškově nastavitelné.

TOP – HORNÍ DESKA

Top 12 mm

SOKL

Sokl 23 mm

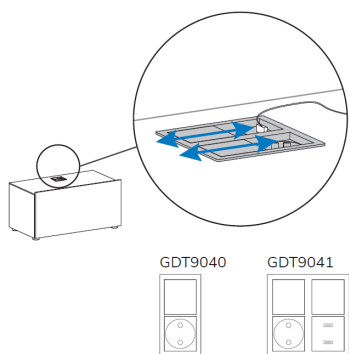
ZÁVĚSNÉ POLICE

Tloušťka 35 /104 mm

PŘISLUŠENSTVÍ

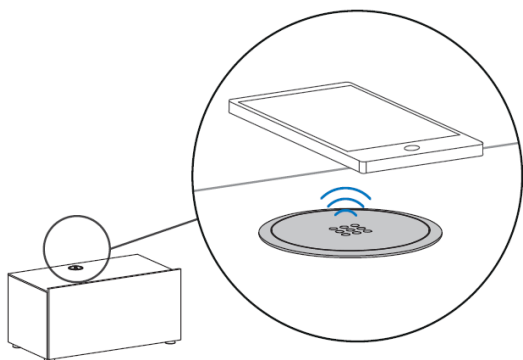
Elektrické zásuvky s USB výstupem

Modul se skrytými zásuvkami, které se otevírají posunutím krytu. Rám krytu je kovový. Modul nabízíme ve 2 variantách.



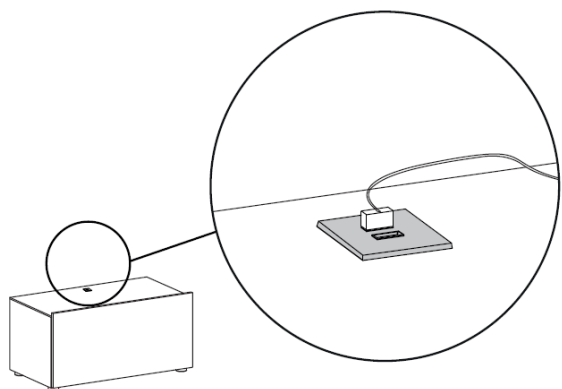
Bezdrátová nabíječka

Modul se skrytou bezdrátovou nabíječkou, ideální pro nabíjení chytrých telefonů. Rám krytu je kovový.



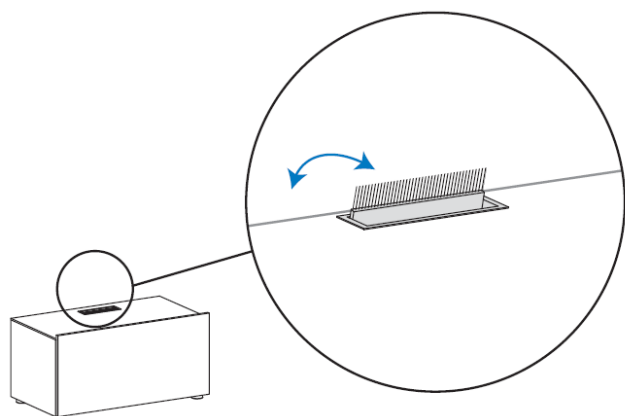
Čtvercová zásuvka s USB výstupem

Modul se skrytou USB zásuvkou, která obsahuje dva portály pro USB typu A. Zásuvka je vyrobena z černého plastu.



Otvor pro kabely

Modul s otvorem pro kabely, který je doplněn kartáčovým těsněním pro snadné umístění jakéhokoliv kabelu. Rám je kovový.



INTEGRA: SCHEDA TECNICA PRODOTTO

INTEGRA: PRODUCT DATA SHEET

Sides, Wood Panels, Break Divisions

Timber panels thick 35 mm.

Coated with printed paper impregnated in Wood Material and Eco Matt Colors finishes.

On the finishes Matt Lacquered they are coated with paintable material.

Hardware:

The side panels have adjustable feet with high carrying capacity. This raises the composition of 5 mm.

The hanging side panels have hidden hangers adjustable in height.

Glass Shelves

In Trasparent glass.

Back Panels

Timber panels thick 12 mm.

Coated with printed paper impregnated in Wood Material and Eco Matt Colors finishes.

On the finishes Matt and Glossy Lacquered they are coated with paintable material.

The Texture finish is characterized by a digital print on the surface of the panel.

Hinged Doors, Vasistas, Ribalte, Wood Material Sliding Doors

Timber panels thick 12 mm.

Coated with printed paper impregnated in Wood Material and Eco Matt Colors finishes.

On the finishes Matt and Glossy Lacquered they are coated with paintable material.

For the paint finish the panels are in wood fiber panels thick 19 mm, painted with a special decorative technique.

The wood finish is in veneer in real varnished oak lacquered wood.

Hardware:

Hinged doors: equipped with metal hinges adjustable in 3 directions.

Ribalte doors: equipped with chrome hidden hinges.

Vasistas and Ribalte doors: equipped with oiled piston for better control in opening and closing operations.

Push & pull wood doors: adjustable depth.

Sliding doors: equipped with aluminium sliding system with soft closing.

Glass Hinged Doors

Frame with integrated internal glass stop with exclusive design section 45x20 in Nikel finish and equipped with handle integrated to the frame.

Trasparent, stopsol and Pewter glass panels are 4 mm thick, tempered and semi-reflecting

Hardware:

Metal hinges adjustable in 3 directions.

Drawers / Deep drawers

Classic Frontal:

Timber panels thick 18 mm.

Coated with printed paper impregnated in Wood Material and Eco Matt Colors finishes.

On the finishes Matt and Glossy Lacquered they are coated with paintable material.

For the paint finish the panels are in wood fiber panels thick 19 mm, painted with a special decorative technique.

The wood finish is in veneer in real varnished oak lacquered wood.

"Trentatre" Frontals:

Lightened timber panels thick 30 mm.

Coated with printed paper impregnated Eco Matt Colors finishes. On the finishes Matt and Glossy Lacquered they are coated with paintable material.

For the paint finish the panels are in wood fiber panels thick 19 mm, painted with a special decorative technique.

The wood finish is in veneer in real varnished oak wood.

In the Cover finishes the panels are decorative multilaminar wood veneer.

Drawer side:

Timber panels thick 33 mm. with "Tramato" finish thick 12/14 mm.

Drawer bottom:

Wood fiber panels thick 3 mm. with "Tramato" finish. On L.918 are reinforced with a metal sheet thick 12/14 mm.

Guides:

Sliding mechanism with push & pull slowed partial extraction.

Full extension extraction is optional.

Split and File divisions

Wood fiber panels thick 12 mm.

Coated externally with printed paper impregnated in Wood Material and Eco Matt Colors finishes. On the finishes Matt Lacquered they are coated with paintable material.

The Texture finish is characterized by a digital print on the surface of the panel.

Honeycomb Bookcase

Back panels: Timber panels thick 18 mm.

Shelves: Wood fiber panels thick 12 mm.

Coated with printed paper impregnated in Wood Material and Eco Matt Colors finishes.

On the finishes Matt Lacquered they are coated with paintable material.

TV Stand – Fixed with leds

Timber panels thick 25 mm.

Coated externally with printed paper impregnated in Wood Material and Eco Matt Colors finishes. On the finishes Matt and Glossy Lacquered they are coated with paintable material.

For the paint finish the panels are in wood fiber panels thick 19 mm, painted with a special decorative technique.

Hardware:

Equipped with Led lights and eletr. sensor swith. Plastic cable ways.

TV Stand - Swinging.

Timber panels thick 18 mm.

Coated externally with printed paper impregnated in Wood Material and Eco Matt Colors finishes. On the finishes Matt and Glossy Lacquered they are coated with paintable material.

For the paint finish the panels are in wood fiber panels thick 19 mm, painted with a special decorative technique.

Hardware:

Provided with a suitable structural metal bar with soft closing system and plastic cable ways.

Support Bar with frontal for bookcase

Structural metallic bar equipped with central regulation.

Covered with a frontal in timber panels thick 25 mm. Coated with printed paper impregnated in Wood Material and Eco Matt Colors finishes. On the finishes Matt and Glossy Lacquered they are coated with paintable material.

Columns

Timber panels thick 18 e 22 mm.

Coated with printed paper impregnated in Wood Material and Eco Matt Colors finishes.

On the finishes Matt and Glossy Lacquered they are coated with paintable material.

For the paint finish the panels are in wood fiber panels thick 19 mm, painted with a special decorative technique.

The wood finish is in veneer in real varnished oak lacquered wood.

Tramato internal finish.

Back panels:

Wood fiber panels thick 4 mm. in Tramato finish.

Hardware:

The side panels have adjustable feet with high carrying capacity. This raises the composition of 5 mm.

Metal hinges adjustable in 3 directions.

Push & pull adjustable depth.

"L" shape desk

Timber panels thick 50 mm.

Coated with printed paper impregnated in Wood Material and Eco Matt Colors finishes.

On the finishes Matt and Glossy Lacquered they are coated with paintable material.

Tramato internal finish.

Hardware:

The side panel has adjustable feet with high carrying capacity. This raises the composition of 5 mm.

Curved Bases

On the finishes Matt and Glossy Lacquered they are coated with paintable material.

Tramato internal finish.

The internal finish is Tramato.

Body: Timber panels thick 18/35 mm.

Top: Wood fiber panels thick 12 mm.

Curved frontals: multilayer curved oanel thick 18 mm.

Back panels: wood fiber panels thick 4 mm. with Tramato finish.

Hardware:

Open doors by push & pull adjustable depth.

Bases Classic elements with open compartment

Body:

Timber panels thick 18 mm. coated with printed paper impregnated in Wood Material and Eco Matt Colors finishes. On the finishes Matt and Glossy Lacquered they are coated with paintable material.

Assembly obtained by bending one panel specially worked (folding working).

Back panels:

Wood fiber panels thick 4 mm. in body finish.

Hardware:

Optional wall brackets: height, width adjustable and equipped with anti-release mechanism.

Wall brackets cover: colour matches the shell interior.

Bases / Classic Elements

Body:

Timber panels thick 18 mm.

Coated with printed paper impregnated in Wood Material and Eco Matt Colors finishes.

On the finishes Matt and Glossy Lacquered they are coated with paintable material.

Tramato internal finish.

Wood doors and drawers:

Timber panels thick 18 mm.

Coated with printed paper impregnated in Wood Material and Eco Matt Colors finishes.

On the finishes Matt and Glossy Lacquered they are coated with paintable material.

For the paint finish the panels are in wood fiber panels thick 19 mm, painted with a special decorative technique.

The wood finish is in veneer in real varnished oak lacquered wood.

Frontals "Trentatre":

Lightened timber panels thick 30 mm.

Coated externally with printed paper impregnated in Wood Material and Eco Matt Colors finishes. On the finishes Matt and Glossy Lacquered they are coated with paintable material.

The wood finish is in veneer in real varnished oak wood.

In the Cover finishes the panels are decorative multilaminar wood veneer.

Glass Doors:

Frame with integrated internal glass stop with exclusive design section 45x20 in Nikel finish and equipped with handle integrated to the frame.

Trasparent, stopsol and Pewter glass panels are 4 mm thick, tempered and semi-reflecting.

Hardware:

Metal hinges adjustable in 3 directions.

Internal Shelves:

With wood door the shelves are in timber panels thick 18 mm. Tramato finish.

With glass door the shelves are in transparent glass.

Back panels: wood fiber panels thick 4 mm. in Tramato finish.

Drawer side: timber panels thick 12/14 mm. with "Tramato" finish.

Drawer bottom: wood fiber panels thick 3 mm. with "Tramato" finish. On L.918 are reinforced with a metal sheet.

Hardware:

Optional wall brackets: height, width adjustable and equipped with anti-release mechanism with wall brackets cover.

Feet: in black plastic adjustable in height.

Metal hinges: adjustable in 3 directions.

Push & pull wooden doors: adjustable depth and sunken in the thickness of the shell.

Drawer guides: sliding mechanism with push & pull slowed partial extraction. Full extension extraction is optional.

Vasistas/Flap Door

Body:

Timber panels thick 18 and 35 mm.

Coated with printed paper impregnated in Wood Material and Eco Matt Colors finishes.

On the finishes Matt and Glossy Lacquered they are coated with paintable material.

Tramato internal finish.

Wood doors:

Timber panels thick 18 mm.

Coated with printed paper impregnated in Wood Material and Eco Matt Colors finishes.

On the finishes Matt and Glossy Lacquered they are coated with paintable material.

For the paint finish the panels are in wood fiber panels thick 19 mm, painted with a special decorative technique.

The wood finish is in veneer in real varnished oak wood.

Glass doors:

Frame with integrated internal glass stop with exclusive design section 45x20 in Nikel finish and equipped with handle integrated to the frame.

Trasparent, stopsol and Pewter glass panels are 4 mm thick, tempered and semi-reflecting.

Glass Shelves (where required): In tempered glass.

Optional Internal Shelves:

Timber panels thick 18 mm. Tramato finish.

Back Panels: wood fiber panels thick 4 mm. in Tramato finish.

Hardware:

Optional wall brackets: height, width adjustable and equipped with anti-release mechanism with wall brackets cover.

Ribalte wood doors: equipped with chrome hidden hinges.

Glass doors and Vasistas wood doors: metal hinges adjustable in 3 directions.

Push & pull wooden doors: adjustable depth and sunken in the thickness of the shell.

Piston: with oil to have a better control when opening & closing.

Metal cable (optional only on ribalte wood): varnished metal mechanism with an attractive design chrome cable, equipped with soft opening and angle adjustment.

Top Thick 12

Timber panels thick 12 mm.

Coated with printed paper impregnated in Wood Material and Eco Matt Colors finishes.

On the finishes Matt and Glossy Lacquered they are coated with paintable material.

Plinth Thick 18

Timber panels thick 18 mm.

Coated with printed paper impregnated in Wood Material and Eco Matt Colors finishes.

On the finishes Matt and Glossy Lacquered they are coated with paintable material.

With anti-scratch small plastic feet thick 5 mm.

Benches Thick 50

Timber panels thick 50 mm.

Coated with printed paper impregnated in Wood Material and Eco Matt Colors finishes.

On the finishes Matt and Glossy Lacquered they are coated with paintable material.

With anti-scratch small plastic feet thick 5 mm.

Kit Stirrup

Art and Elle:

Support drawn tubular steel section 40 x 40 and 4 lacquered steel feet equipped with anti-scratch slide.

Plexi:

Support drawn tubular steel section 40 x 40 and 2 plexiglass feet thick 20 mm.

Optional Kit Led:

Extruded aluminum linear profile with integrated LED lighting 4000°K – 10W/m.

Power supply:

20W - 12VDC

Aqua Bookcase

Body:

Metal foil thick 2 mm specially shaped in Matt Lacquered or Metal finish.

Back Panels:

Timber panels thick 18 mm.

Coated with printed paper impregnated in Wood Material and Eco Matt Colors finishes.

On the finishes Matt Lacquered they are coated with paintable material.

Hardware:

Wall brackets are height adjustable.

Optional Kit Led:

Strip Led 4000°K - 10W/m.

Power supply:

20W - 12VDC

Snake / Viper Bookcase

Metal foil thick 2 mm specially shaped in Matt Lacquered or Metal finish.

Wall mounting with dowels.

Metal Bookcase

Body:

Metal foil thick 2 mm specially shaped in Matt Lacquered or Metal finish.

Back Panels:

Timber panels thick 12 mm.

Coated with printed paper impregnated in Wood Material and Eco Matt Colors finishes.

On the finishes Matt Lacquered they are coated with paintable material.

Hardware:

Wall brackets are height adjustable.

Metal Deep Drawers

Body:

Metal foil thick 2 mm specially shaped in Matt Lacquered or Metal finish.

Back Panels:

Timber panels thick 18 mm.

Coated with printed paper impregnated in Wood Material and Eco Matt Colors finishes.

On the finishes Matt Lacquered they are coated with paintable material.

Equipped with hidden wheels.

Hanging Honeycomb

Timber panels thick 12 mm.

Coated with printed paper impregnated in Eco Matt Colors finishes. On the finishes Matt

Lacquered they are coated with paintable material.

May fit horizontally or vertically.

Wall mounting with bayonet hinges.

Light Modules

Body:

Timber panels thick 12 mm.

Coated with printed paper impregnated in Wood Material and Eco Matt Colors finishes.

On the finishes Matt Lacquered they are coated with paintable material.

Assembly obtained by bending a single panel specially processed (folding processing).

Back Panels:

Timber panels thick 12 mm.

Coated with printed paper impregnated in Wood Material and Eco Matt Colors finishes.

On the finishes Matt Lacquered they are coated with paintable material.

May fit horizontally or vertically.

Wall mounting with bayonet hinges.

Element above module

Timber panels thick 18 and 35 mm.

Coated with printed paper impregnated in Wood Material and Eco Matt Colors finishes.

On the finishes Matt and Glossy Lacquered they are coated with paintable material.

INTEGRA: SCHEDA TECNICA PRODOTTO

INTEGRA: PRODUCT DATA SHEET

Hardware:

The support pins are in transparent PVC.

Back supplied with gray plastic cable passage.

Tabù Desk

Timber panels thick 50 mm.

Coated with printed paper impregnated in Wood Material.

Hardware:

The side panels have adjustable feet with high carrying capacity. This raises the composition of 5 mm.

TV Stand Panel

Timber panels coated thick 25 mm.

Externally coated with printed paper impregnated in Wood Material and Eco Matt Colors finishes. On the finishes Matt and Glossy Lacquered they are coated with paintable material.

Hardware:

Plexiglas spacers, gray plastic cable passage.

TV Stand overhead light:

Plexiglas overhead light with neon switch equipped.

Desks

Structure:

Timber panels coated thick 35 - 18 mm.

Externally coated with printed paper impregnated in Wood Material and Eco Matt Colors finishes. On the finishes Matt and Glossy Lacquered they are coated with paintable material.

With anti-scratch small plastic feet thick 5 mm.

With door / fridge door:

Timber panels coated thick 35 - 18 mm.

Externally coated with printed paper impregnated in Wood Material and Eco Matt Colors finishes. On the finishes Matt and Glossy Lacquered they are coated with paintable material.

Metal hinges: adjustable in 3 directions.

Push & pull door: adjustable depth and sunken in the thickness of the shell.

Fridge door: open by handle.

With anti-scratch small plastic feet thick 5 mm.

With drawers:

Timber panels coated thick 35 - 18 mm.

Externally coated with printed paper impregnated in Wood Material and Eco Matt Colors finishes. On the finishes Matt and Glossy Lacquered they are coated with paintable material.

Drawer guides: sliding mechanism with push & pull slowed partial extraction. Full extension extraction is optional.

With anti-scratch small plastic feet thick 5 mm.

Small Tables

18 mm thick wooden fibre surface.

On the finishes Matt Lacquered they are coated with paintable material.

Legs:

Iron conical shape, painted in the same color as the top.

Nausica / Delfi / Medea Mirror

Support:

Timber panels coated with impregnated printed paper for wood material finish.

Mirrors:

thick 4 mm. matched to the support panel.

Eracle / Era Mirror

Support:

Timber panels coated with impregnated printed paper.

Band:

Wood fiber panels coated impregnated printed paper for wood material finish. The lacquered finishes are coated with over-paintable material. The wood finish is in veneer with real noted oak wood and varnished.

Mirrors:

thick 4 mm. matched to the support panel.

Eracle mirror with 3 sides blunted.

Hardware:

Wall brackets are height adjustable.

Nifea / Talia / Giunone Mirror

Support:

Timber panels coated with impregnated printed paper for wood material finish.

Frames:

Wood fiber panels coated impregnated printed paper for wood material finish. The lacquered finishes are coated with over-paintable material.

Mirrors:

Thick 4 mm. inserted into frames.

Hardware:

Wall brackets are height adjustable.

Glass Shelves

Transparent glass thick 8 mm. Wall mounting with metal hanger brackets.

Wood Shelf Thick 35 and C-Shaped Side

35 mm thick engineered wood panels

Covered in printed impregnated paper in warm wood hues and Eco Matt colours. Matt lacquer finishes are coated with paintable material.

Hardware:

Shelf: concealed pins adjustable vertically at 2,5mm and horizontally at 5mm. 5° inclination adjustment.

Side panel: slide with bayonet mount. The Santa Lucia furniture manufacturer does not supply specific gussets for mounting on dry wall.

Lamina Cd / DVD Container

Metal foil thick 2 mm specially shaped in Matt Lacquered or Metal finish.

50 mm thick Wooden Shelves

50 mm thick engineered wood panels

Covered in printed impregnated paper in warm wood hues and Eco Matt colours. Matt lacquer finishes are coated with paintable material.

Hardware:

Concealed pins adjustable vertically at 2,5mm and horizontally at 5mm.

5° inclination adjustment. The Santa Lucia furniture manufacturer does not supply specific gussets for mounting on dry wall.

Wood Shelf Thick 100

18 mm thick engineered wood panels

Covered in printed impregnated paper in warm wood hues and Eco Matt colours. Matt lacquer finishes are coated with paintable material.

The wood finish is in veneer in real varnished oak lacquered wood.

Assembly obtained by bending a single panel specially processed (folding processing).

Hardware:

Wall fastening by means of a vertically adjustable high-grip support tip.

The Santa Lucia furniture manufacturer does not supply specific gussets for mounting on dry wall.

Back Panels Thick 25

Timber panels thick 25 mm.

Externally coated with printed paper impregnated in Wood Material and Eco Matt Colors finishes. On the finishes Matt and Glossy Lacquered they are coated with paintable material.

The wood finish is in veneer in real varnished oak wood.

Wall mounting with bayonet hinges.

Back Panel Thick 50

12 mm thick engineered wood panels

Covered in printed impregnated paper in warm wood hues and Eco Matt colours. Matt and Glossy (brushed) lacquer finishes are coated with paintable material.

In the Cover finishes the panels are decorative multilaminar wood veneer.

Assembly obtained by bending a single panel specially processed (folding processing).

Bayonet wall mount, made of wood.

LED kit (optional)

Flexible adhesive LED strip 4000°K - 10W/m with electronic ignition sensor. Complies with CE directives.

Power adapter:

30W - 12VDC

Cable clamps plate (optional)

Gray plastic.

Boiserie Panels

18 mm thick engineered wood panels

Covered in printed impregnated paper in warm wood hues and Eco Matt colours. Matt and Glossy lacquer finishes are coated with paintable material.

Hardware:

Adjustable anti-release spacers, to enable passage of cables, if any.

LED bar kit

Lighting body:

Linear profile section 12 x 12 mm made of extruded opal polycarbonate and completed by thermoplastic heads with integrated 4000 ° K - 10W /m LED lighting. Profile with double-sided adhesive tape for easy installation.

Internal Spotlight

Panel 40 Leds 4000 ° K with opal polycarbonate diffuser and gray plastic frame, the spotlight is switched on when the door is opened. For a high seal, fixing is done with screws.

Power supply:

60W - 12VDC

Power control unit (1 per area):

Wireless operation with the possibility of connect. up to 3 LEDs per control unit.

Remote control:

programmable radio frequency up to 4 zones with on-off and dimmer controls. Complies with CE directives.

Sockets and USB

Concealed wired module with independent sliding doors; access to the sockets is via an unlock button.

Frame and doors (in sight) are in painted metal alloy, while components are in self-extinguishing technopolymer.

Single schuko socket, double schuko socket and 2 usb for charging.

Maximum load 3400W. Complies with CE directives.

Induction battery charger

The wireless retractable charger with Qi technology is the perfect solution for charging a wide range of Smartphones, eliminating unsightly cords.

The start of the recharge is signalled by an acoustic sound and the status indicated by a blue LED light for the entire duration of the recharge.

The body is in painted metal alloy with an internal glass disk. Complies with CE directives.

Square USB socket

Black plastic concealed wired module, with 2 port type A charger. Complies with CE directives.

Cable clamp plate

Painted metal alloy equipped with a small opening with a toothbrush that facilitates the passage of any cable.

ITALIER

www.italier.cz | info@italier.cz | +420 774 431 196
