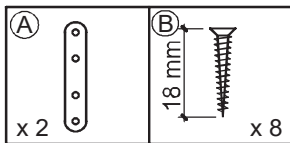


camelgroup®

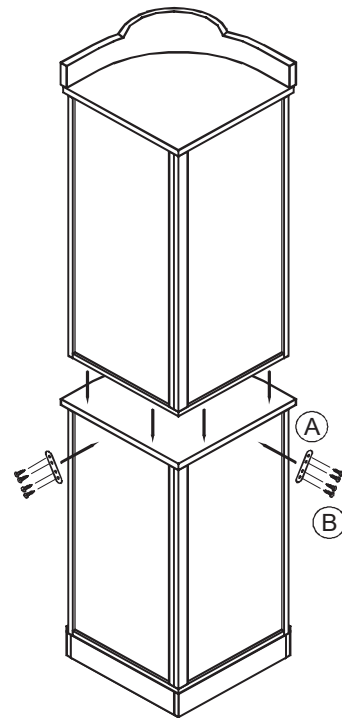
www.italier.cz | info@italier.cz | +420 774 431 196

CORNER CABINET



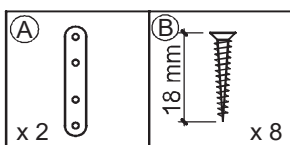
ASSEMBLING INSTRUCTIONS

1 - FIX THE 2 METAL PLATES ON THE BACK EDGES OF SIDE PANELS TO JOIN BUFFET AND HUTCH



camelgroup®

CORNER CABINET



ASSEMBLING INSTRUCTIONS

1 - FIX THE 2 METAL PLATES ON THE BACK EDGES OF SIDE PANELS TO JOIN BUFFET AND HUTCH

