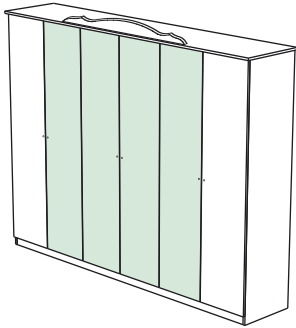


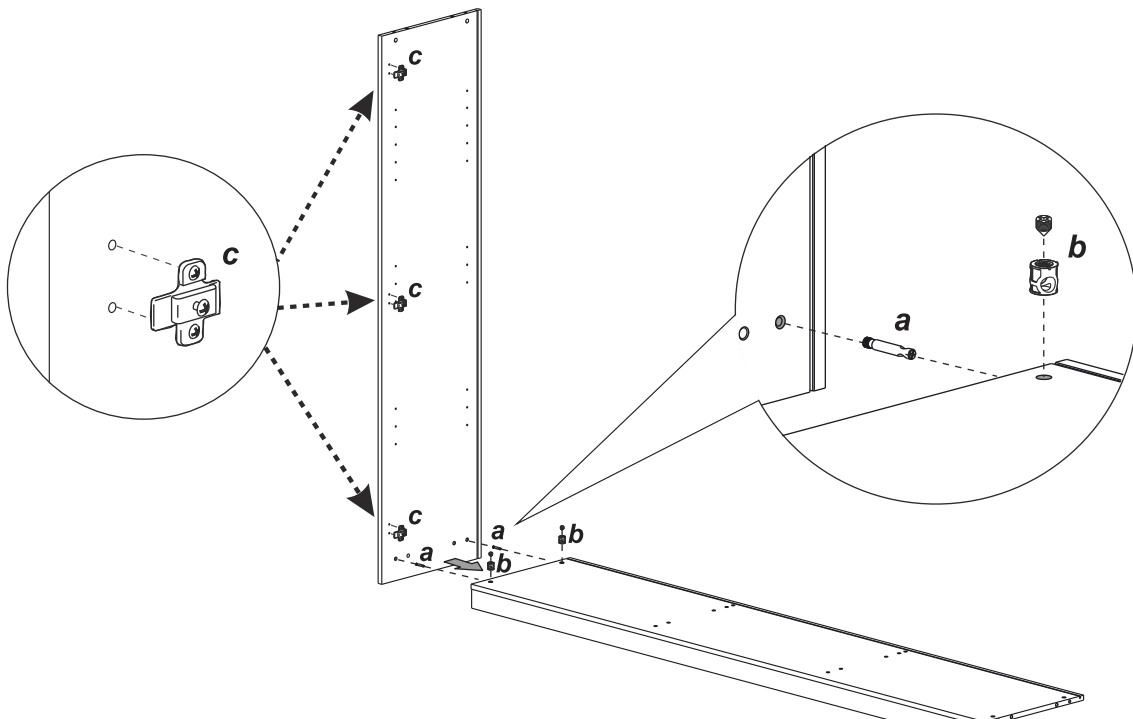
LEONARDO



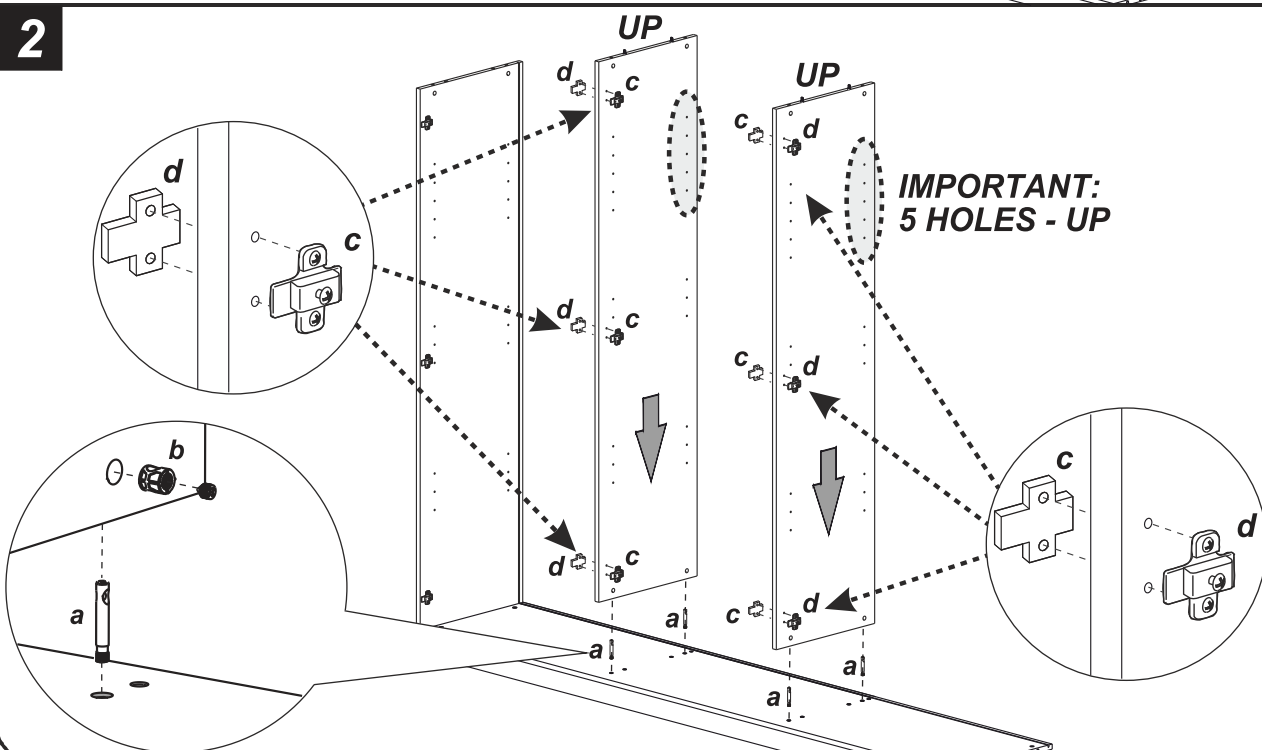
6 DOOR WARDROBE

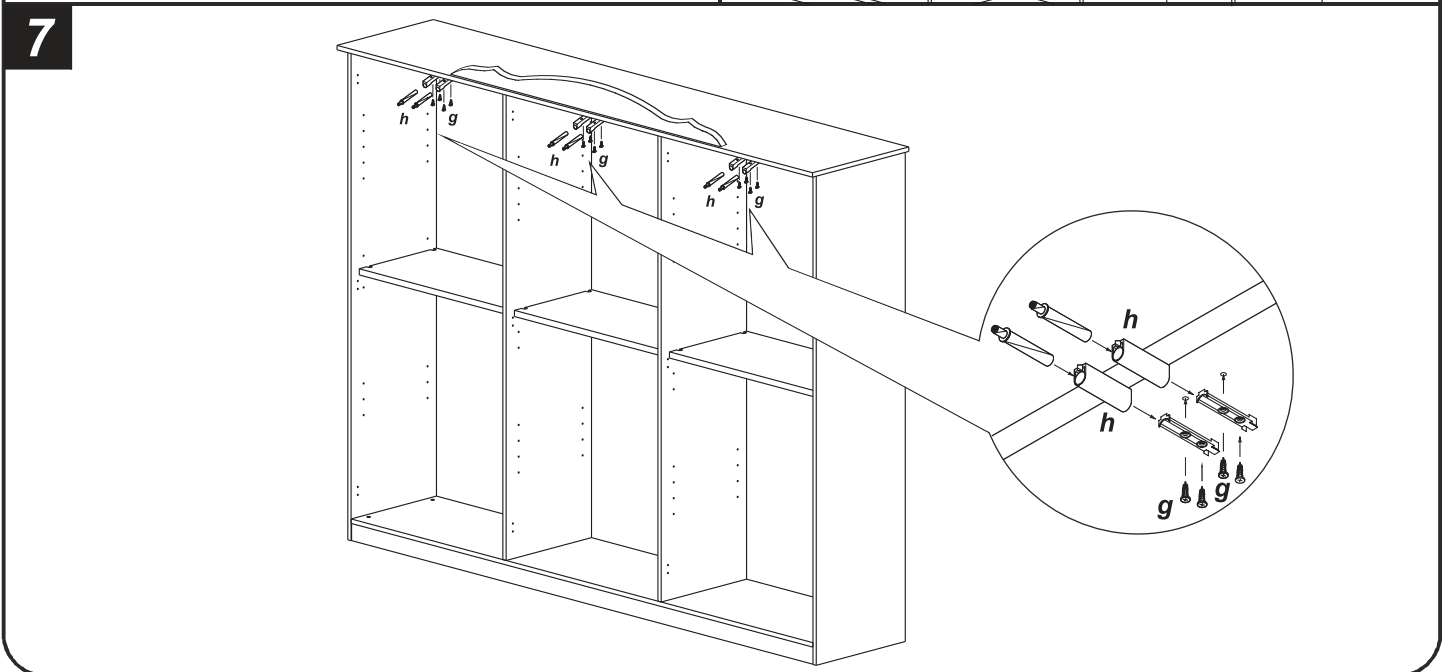
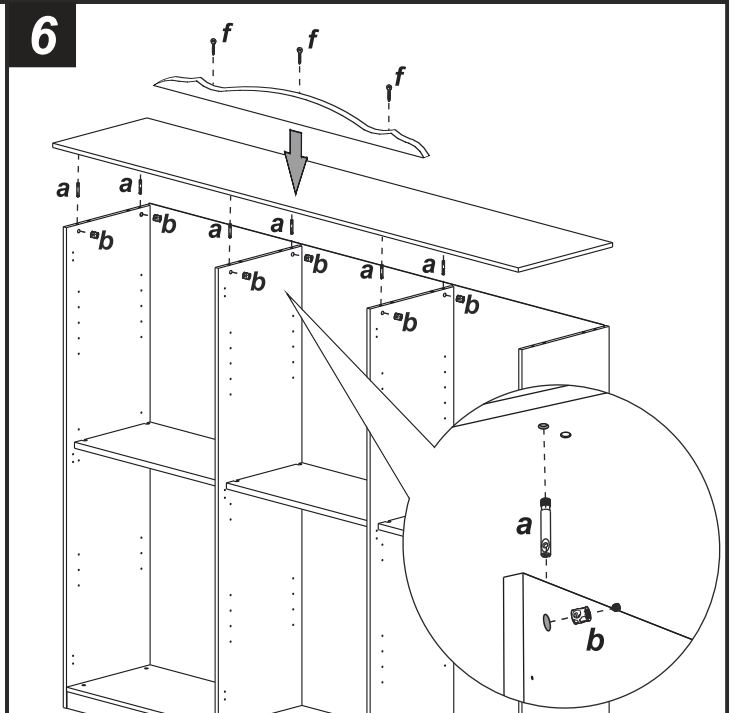
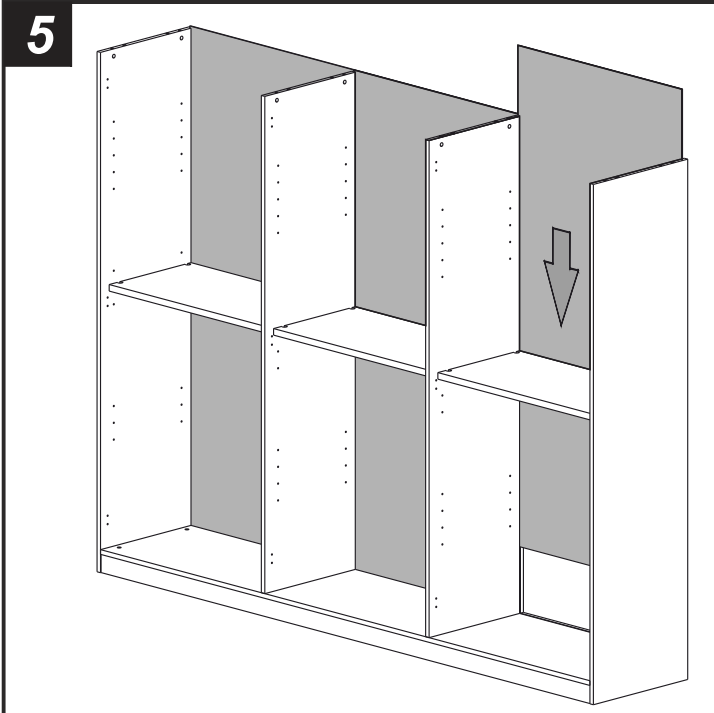
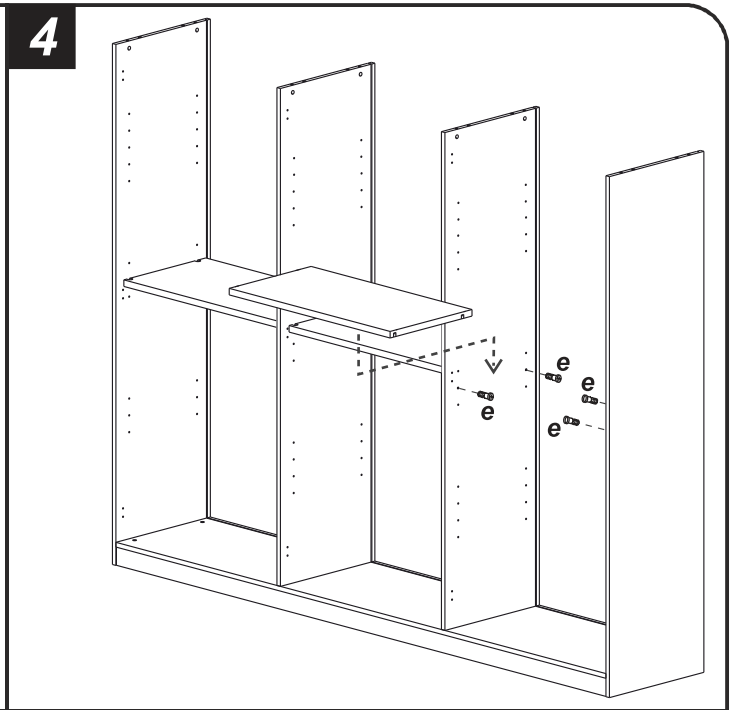
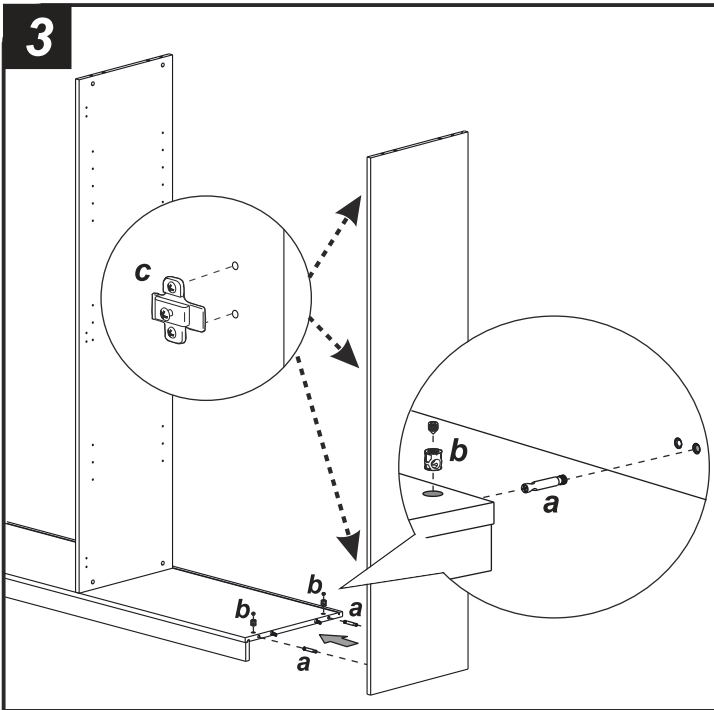
a	b	c	d
e	f	g	h
m	n	p	q

1

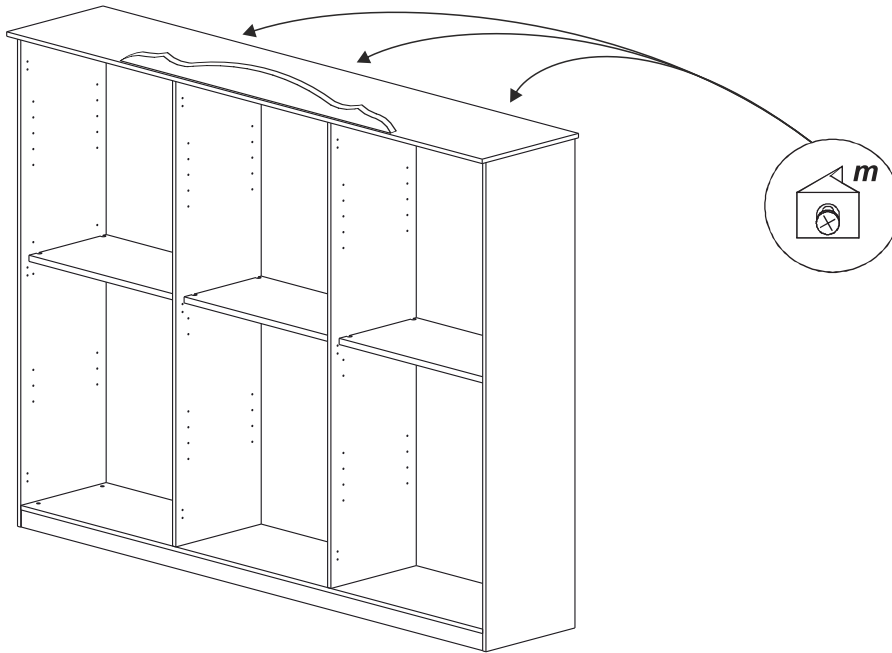


2





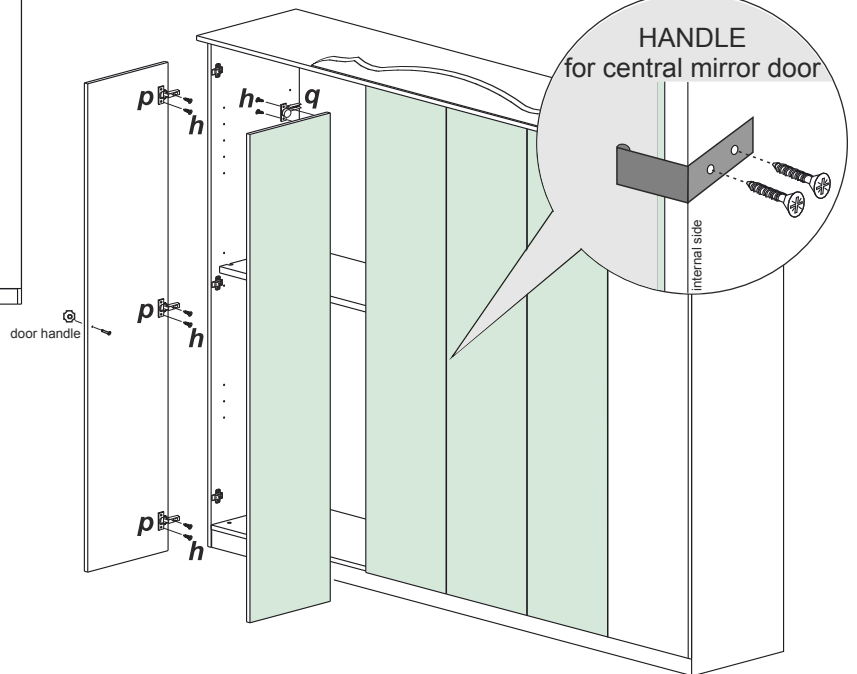
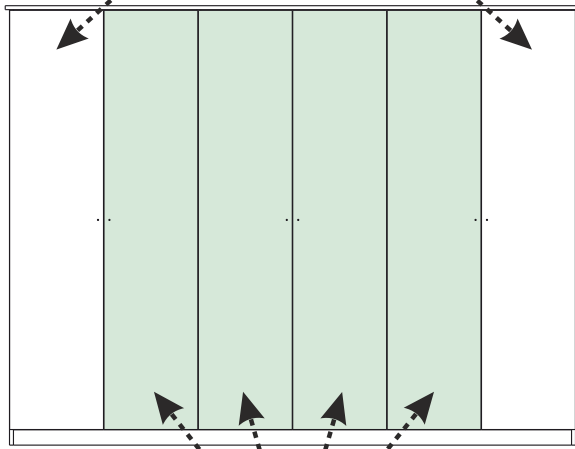
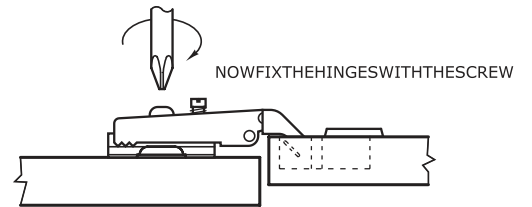
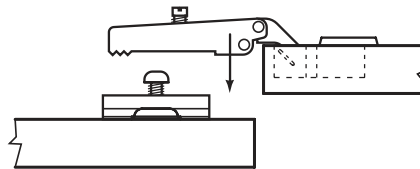
8



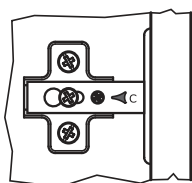
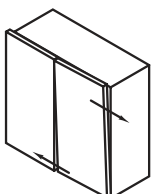
9



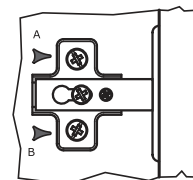
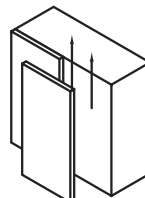
INSERT THE DOOR HINGES OVER THE PLAQUE ALREADY FIXED ON THE SIDE PANELS AND PARTITION



DOORS ADJUSTMENT



EXAMPLE 1
TO ADJUST THE DOORS OPERATE ON THE SPECIAL SCREW (C)



EXAMPLE 2
UNSCREW THE SCREWS (A+B) AND ADJUST THE DOORS IN THE RIGHT POSITION

