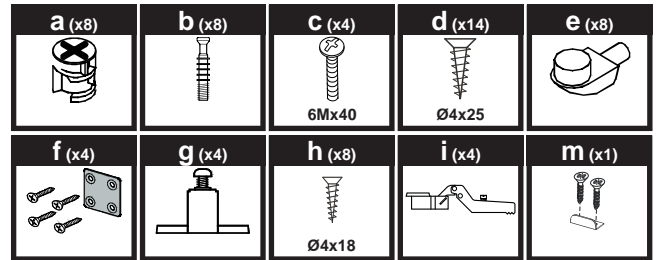
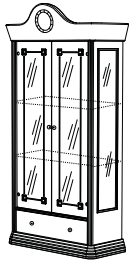
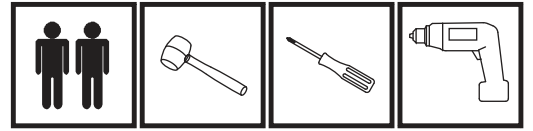
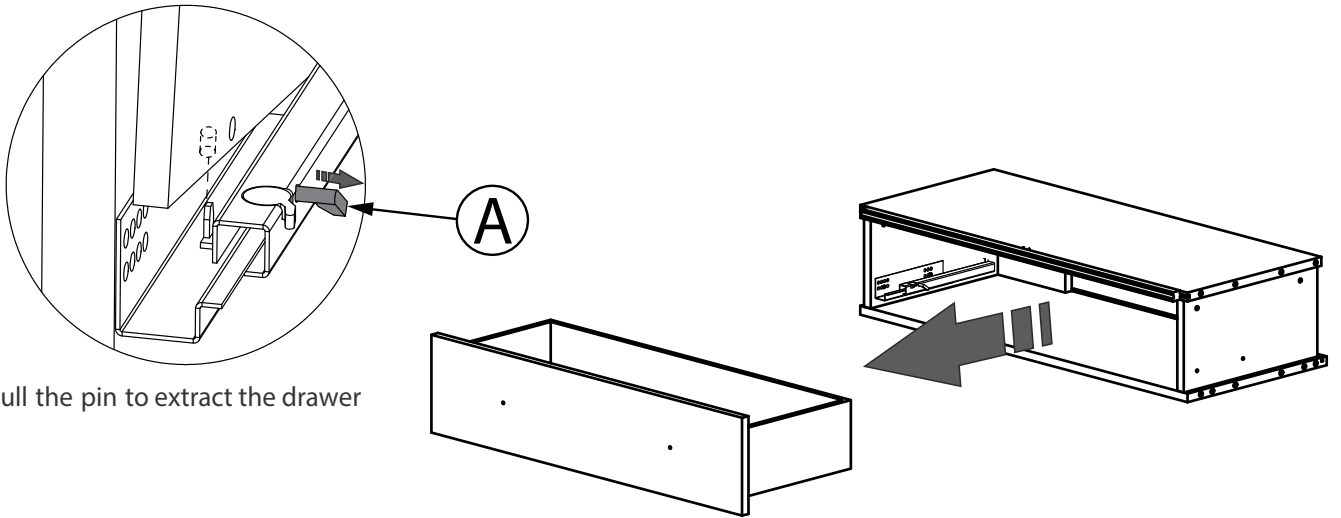


AIDA-DAY

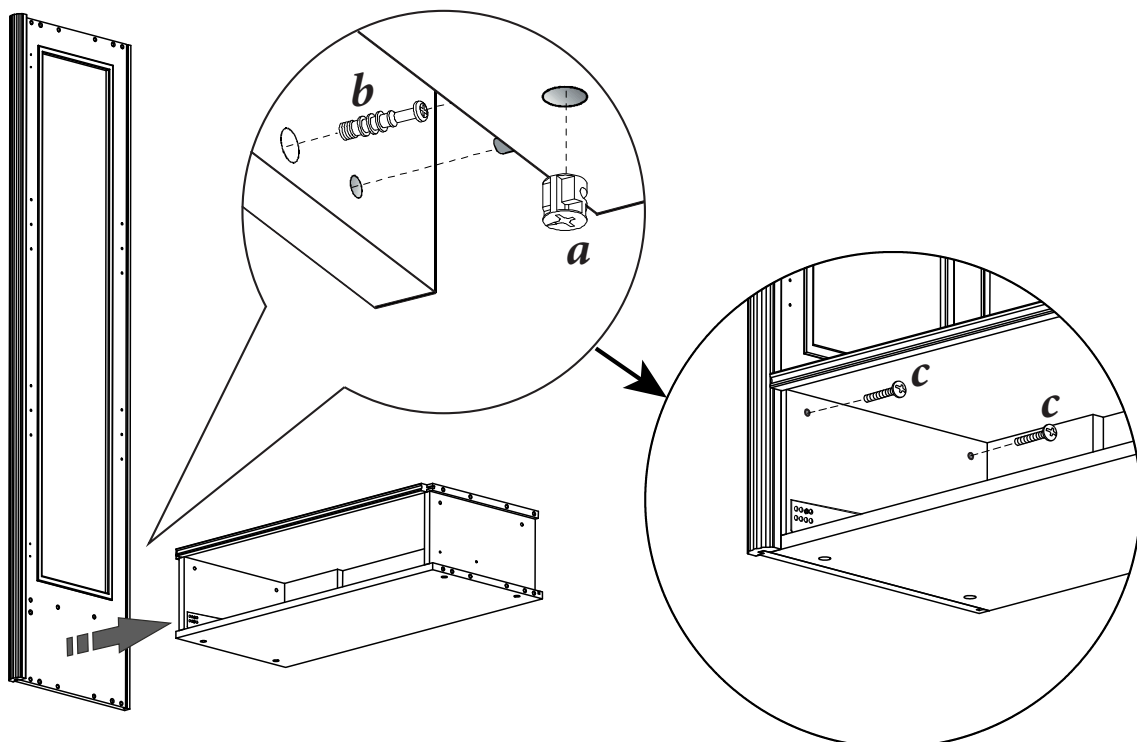
VETRINA 2/A



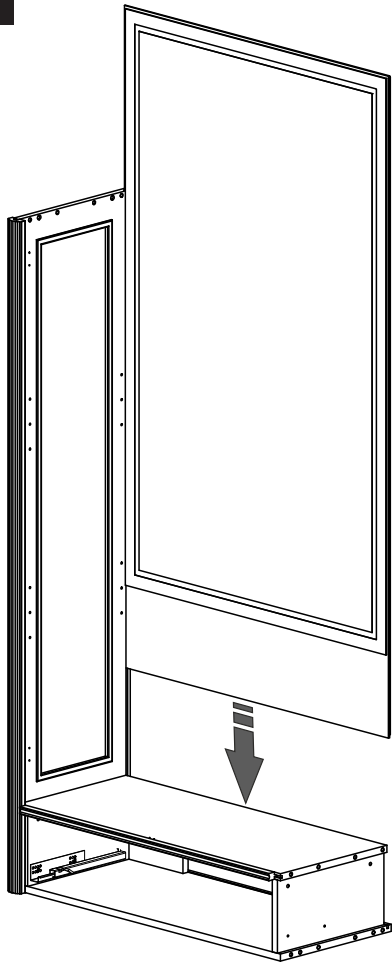
1



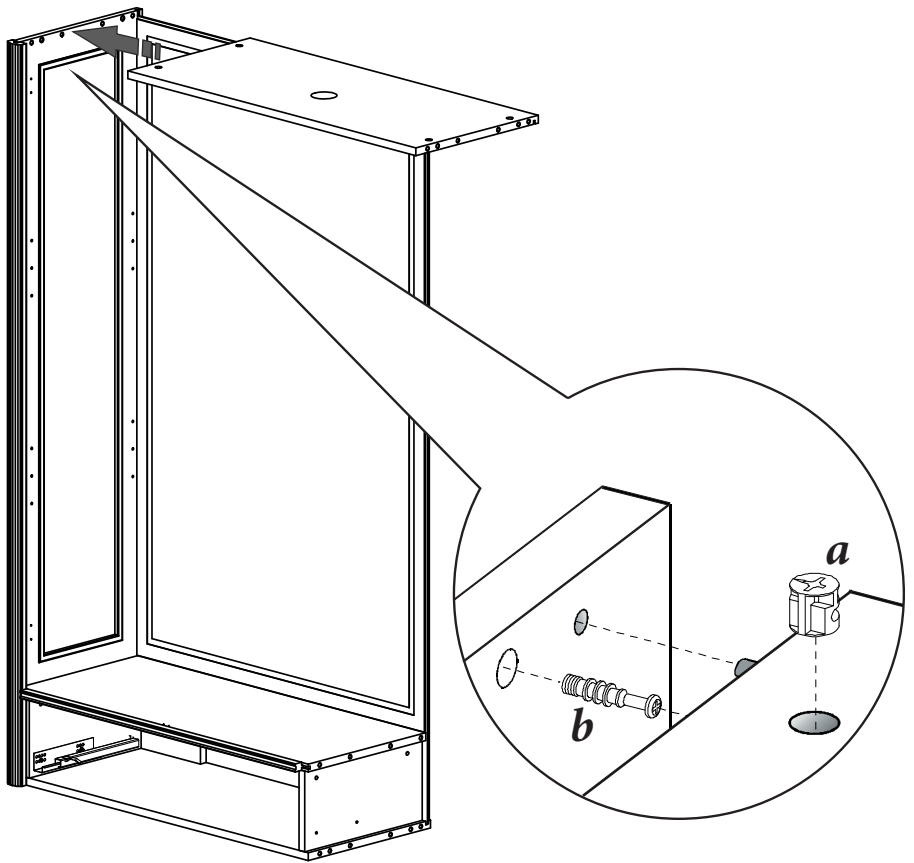
2



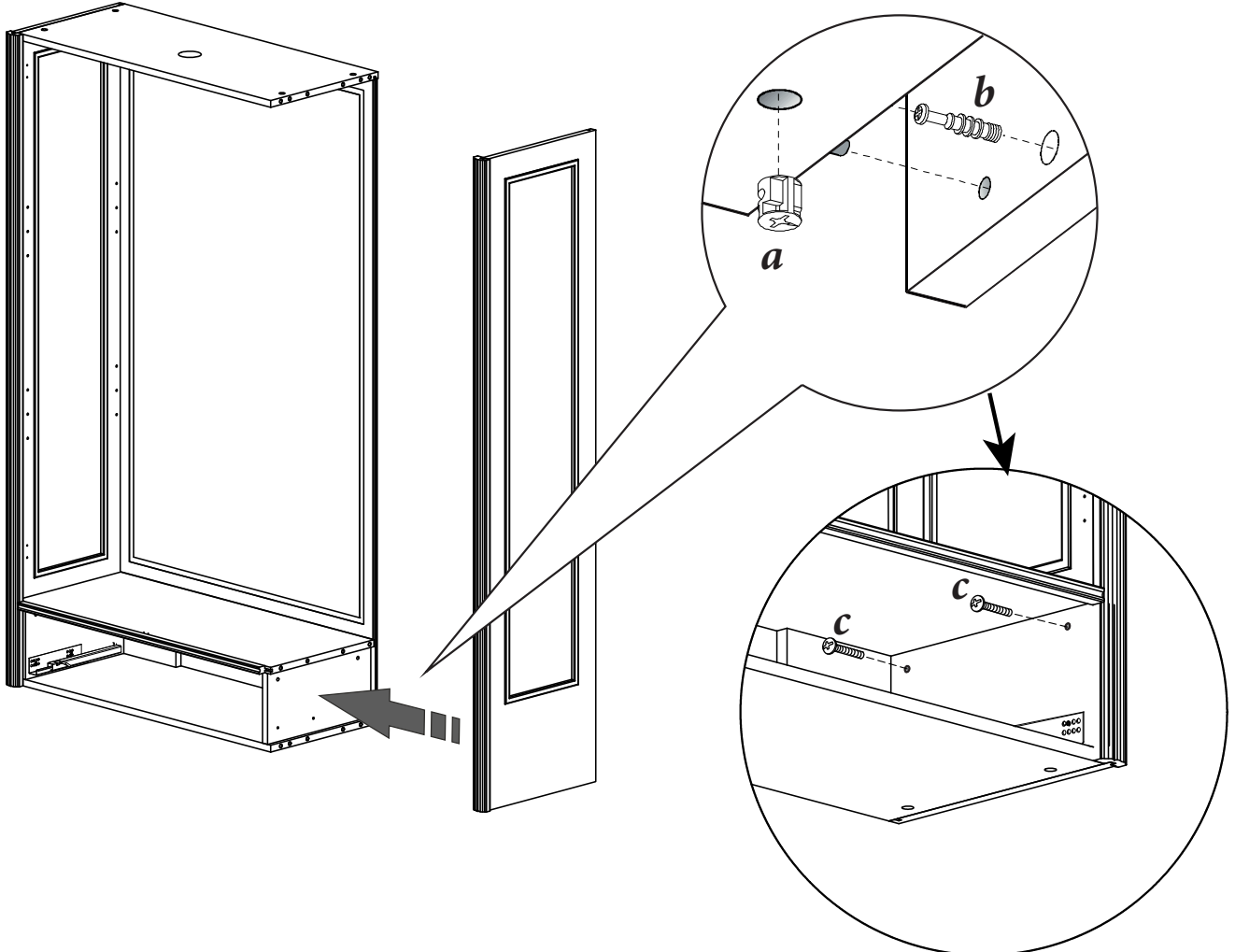
3

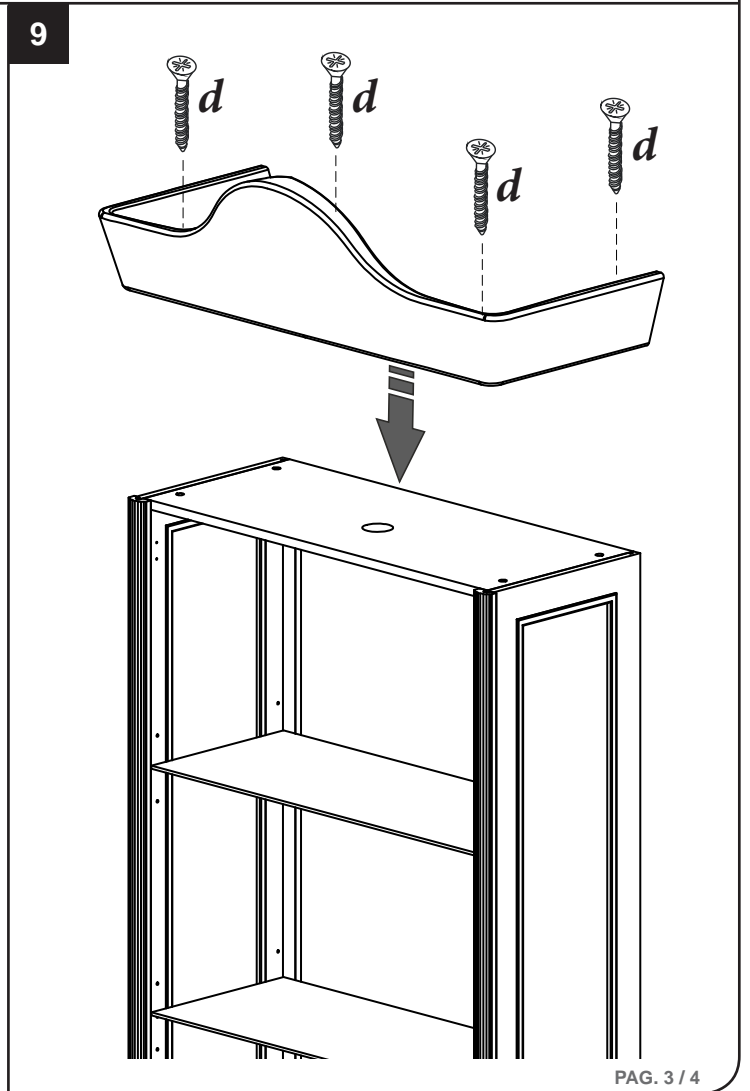
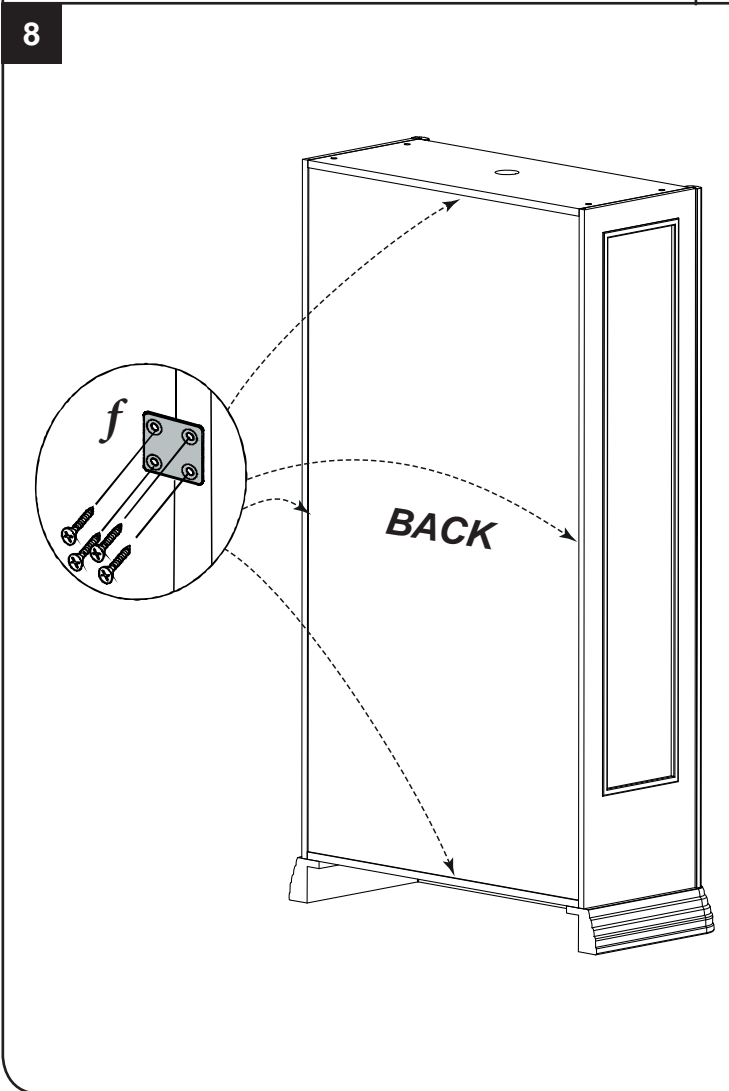
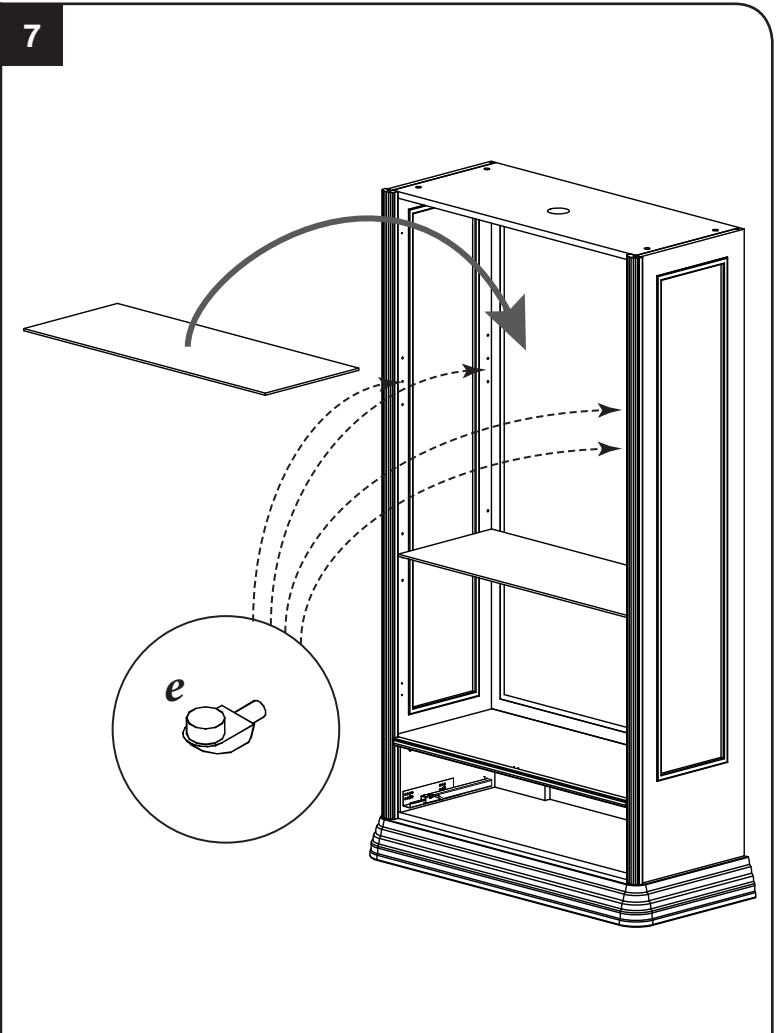
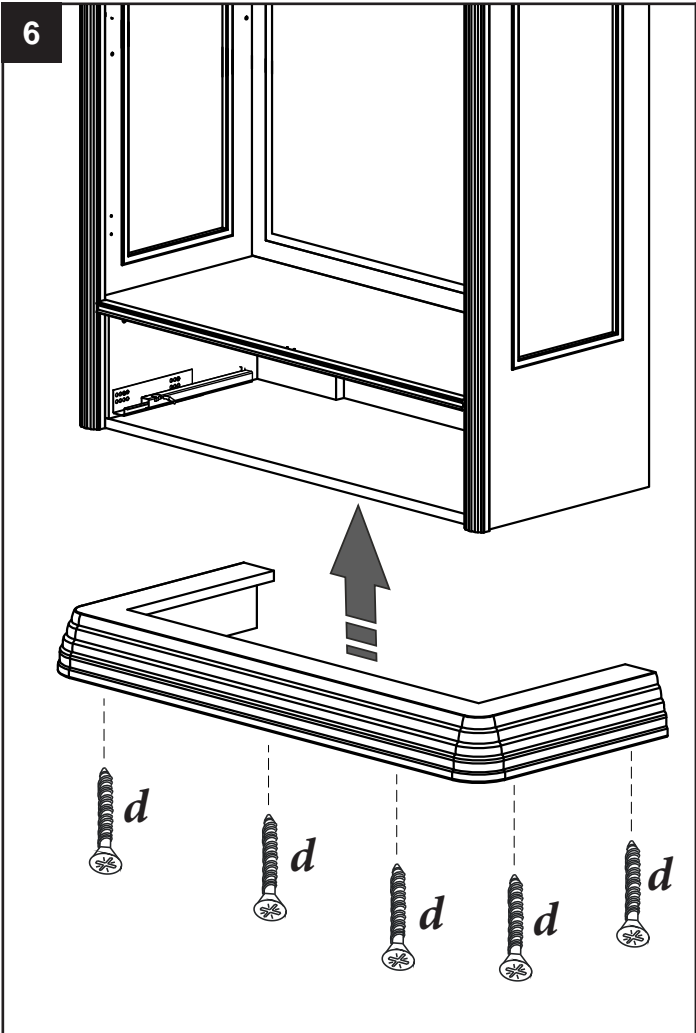


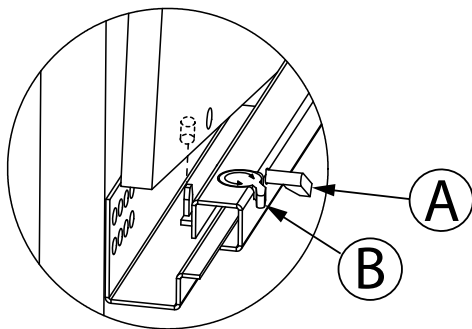
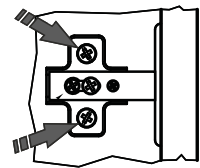
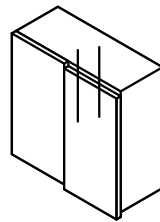
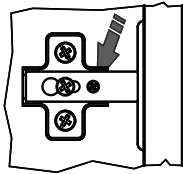
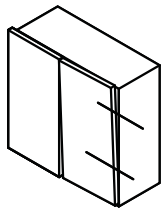
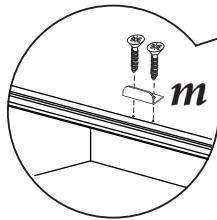
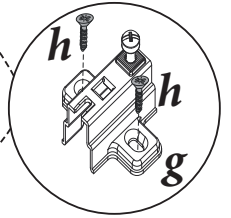
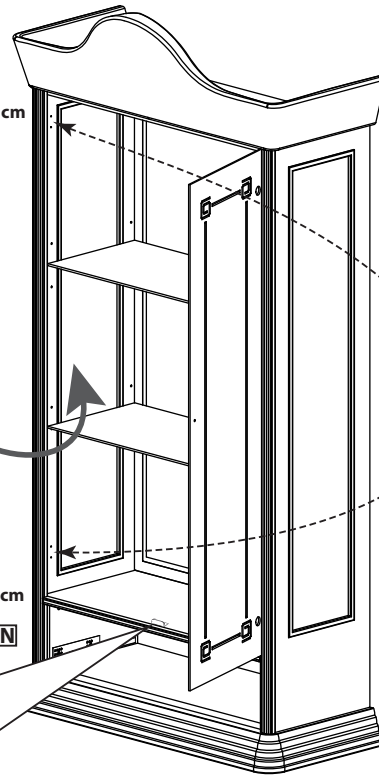
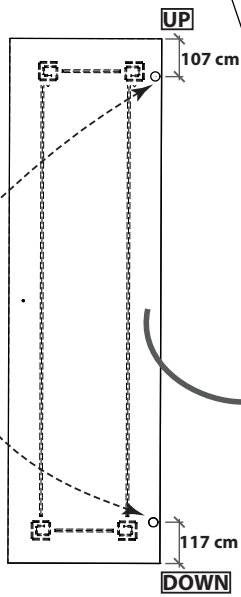
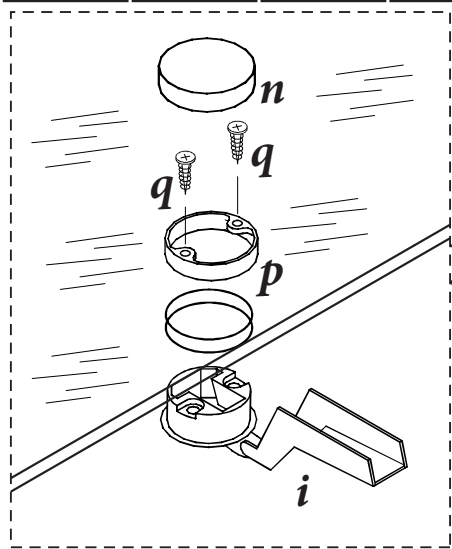
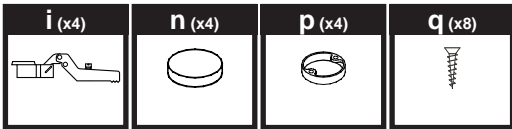
4



5







Insert drawers into guides.
 Push point "A" to fix the drawers to guides.
 Push the point "B" to adjust frontals, if necessary.

