

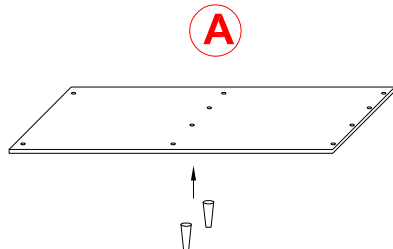


SCHEMA DI MONTAGGIO ARMADIO 4/ANTE
ASSEMBLING INSTRUCTION FOR 4/DOORS WARDROBE
INSTRUCTION DE MONTAGE ARMOIRE 4/PORTES

ARREDOCLASSIC

Il prestigio del Made in Italy

Donatello & Tiziano Collection

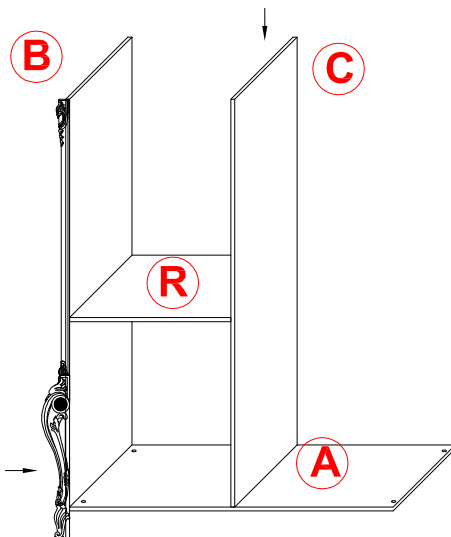


1

POSIZIONARE LA BASE (A) SUL PAVIMENTO
E FISSARE I PIEDI CENTRALI.

**PLACE THE BASE (A) ON THE FLOOR
AND FIX THE CENTRAL SUPPORTS.**

POSITIONNER LA BASE (A) SUR LE SOL
ET FIXER LES PIEDS CENTRAUX.

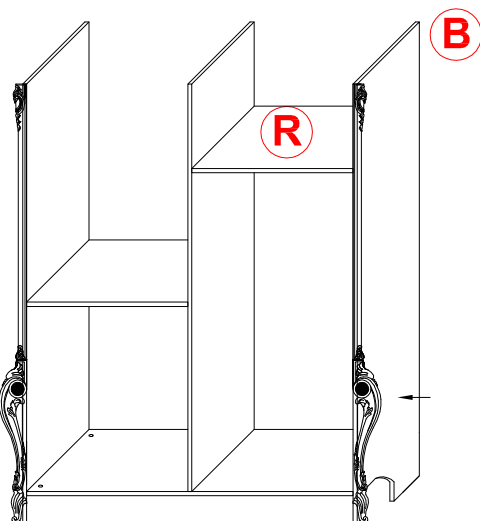


2

MONTARE IL FIANCO ESTERNO (B) ALLA BASE (A)
POI MONTARE IL TRAMEZZO (C) E INSERIRE IL
RIPIANO (R)

**SET UP THE OUTSIDE PANEL (B) TO THE BASE (A)
AND SET UP THE INSIDE PANEL (C) THEN
INSERT THE SHELF (R)**

MONTER L'ÉLÉMENT TERMINAL EXTÉRIEUR (B) À LA
BASE (A) PUIS MONTER L'ÉLÉMENT CENTRAL (C)
ET FIXER L'ÉTAGÈRE (R)



3

MONTARE IL FIANCO ESTERNO (B) E IL RIPIANO (R)

**SET UP THE OUTSIDE PANEL (B) AND THEN
INSERT THE SHELF (R)**

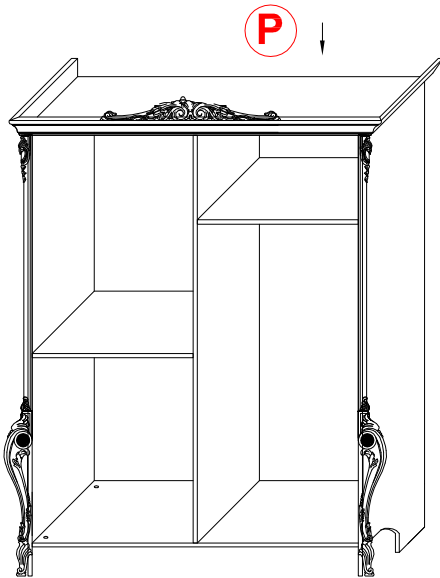
MONTER L'ÉLÉMENT TERMINAL EXTÉRIEUR (B) ET FIXER
L'ÉTAGÈRE (R)



ARREDOCLASSIC

Il prestigio del Made in Italy

SCHEMA DI MONTAGGIO ARMADIO 4/ANTE
ASSEMBLING INSTRUCTION FOR 4/DOORS WARDROBE
INSTRUCTION DE MONTAGE ARMOIRE 4/PORTES
Donatello & Tiziano Collection

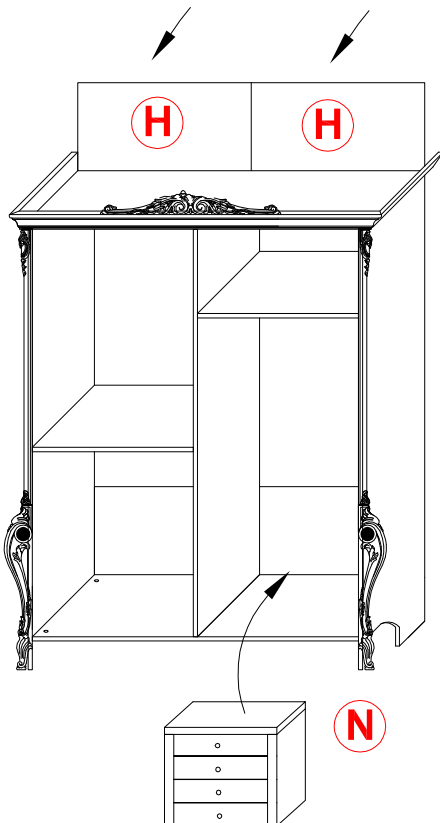


4

MONTARE IL CAPPELLO (P)

SET UP THE CAP (P)

MONTER LE CHAPEAU (P)



5

POSIZIONARE GLI SCHIENALI
LATERALI (H) CHE ANDRANNO INSERITI NEGLI APPOSTI
INCASSI SUI FIANCHI E BASE E INSERIRE LA CASSETTIERA (N)

**PLACE FIRST THE N°2 BACKSIDE PANELS (H) INTO THE
GROOVES OF SIDE PANELS AND BASE.
THEN INSERT THE DRAWERS UNIT (N)**

POSITIONNER LES N°2 DOSSIERS EXTÉRIEURS (H) ET
LES INSERER DANS LES RIGOLES DES CÔTÉS ET BASE.
ET PLACER LES TIROIRS (N)



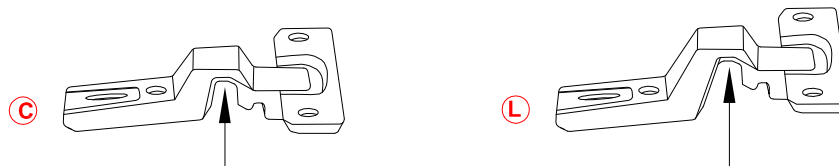
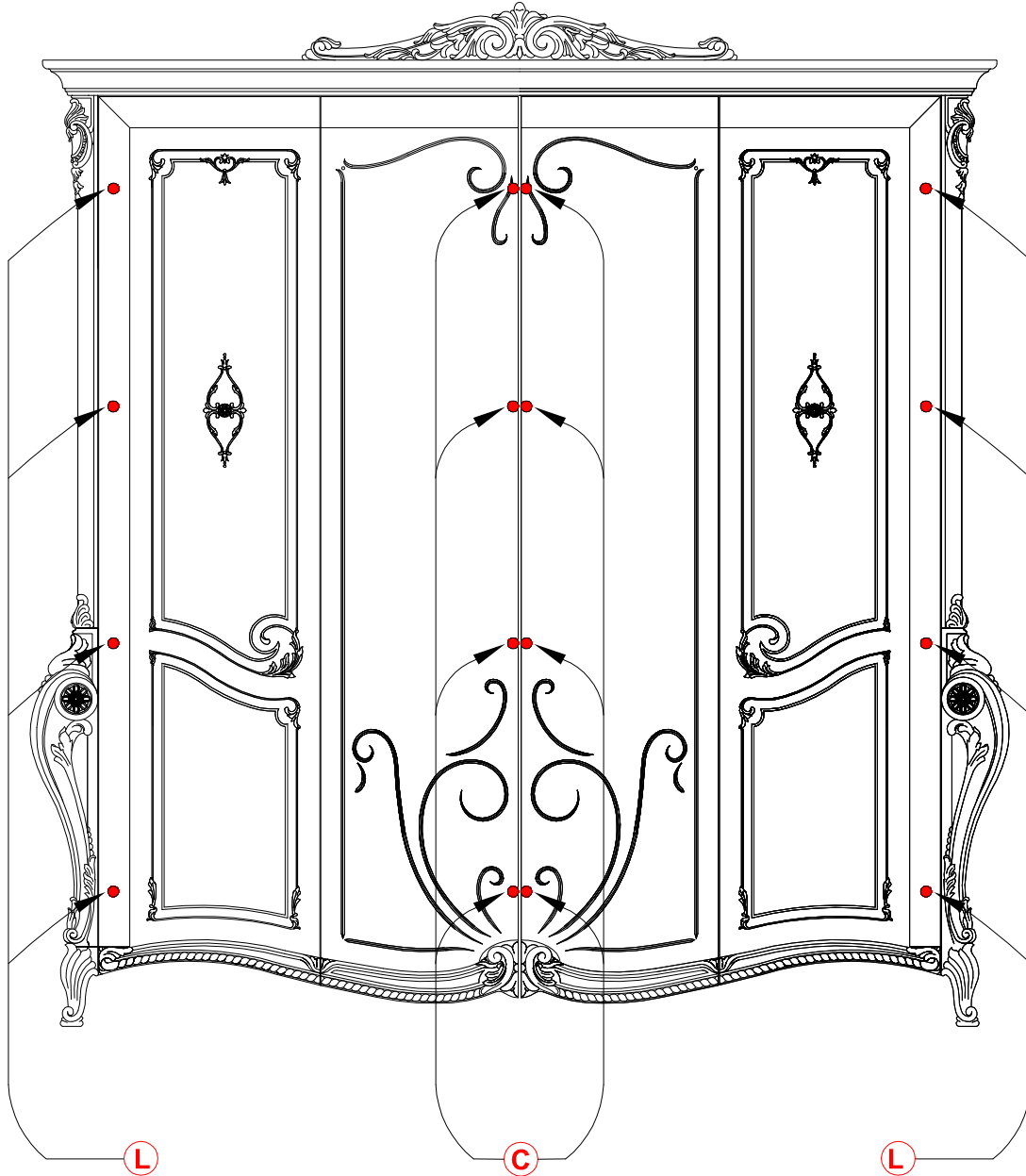
SCHEMA DI MONTAGGIO ARMADIO 4/ANTE
ASSEMBLING INSTRUCTION FOR 4/DOORS WARDROBE
INSTRUCTION DE MONTAGE ARMOIRE 4/PORTES

ARREDOCLASSIC

Il prestigio del Made in Italy

Donatello & Tiziano Collection

6



!!!! ATTENZIONE !!!! ATTENTION !!!! ATTENZIONE !!!! ATTENTION !!!!

FISSARE LE CERNIERE MARCATE (L) ALLE ANTE ESTERNE , MENTRE LE CERNIERE MARCATE (C) VANNO FISSATE ALLE ANTE CENTRALI.

FIX SUPPLIED HINGES MARKED (L) TO SIDE DOORS AND HINGES MARKED (C) TO CENTRAL DOORS

FIXER LES CHARNIÈRES (L) À LES PORTES EXTÉRIEURES ET LES CHARNIÈRES (C) À LES PORTES CENTRALES